

STRADA-T-DW LENS FOR NICHIA 119 / 219 LEDs



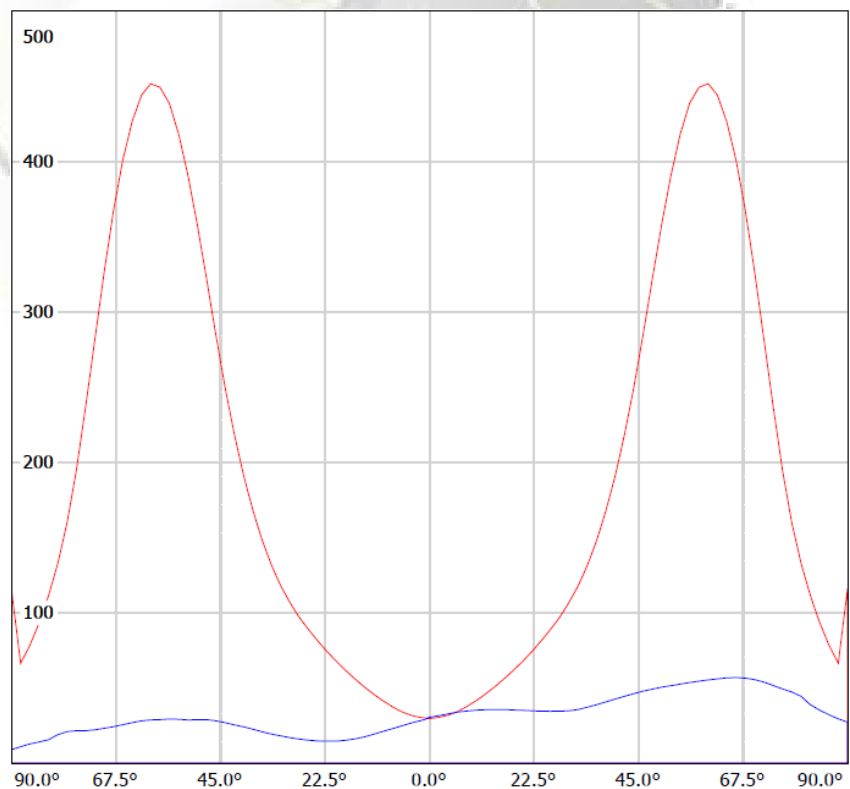
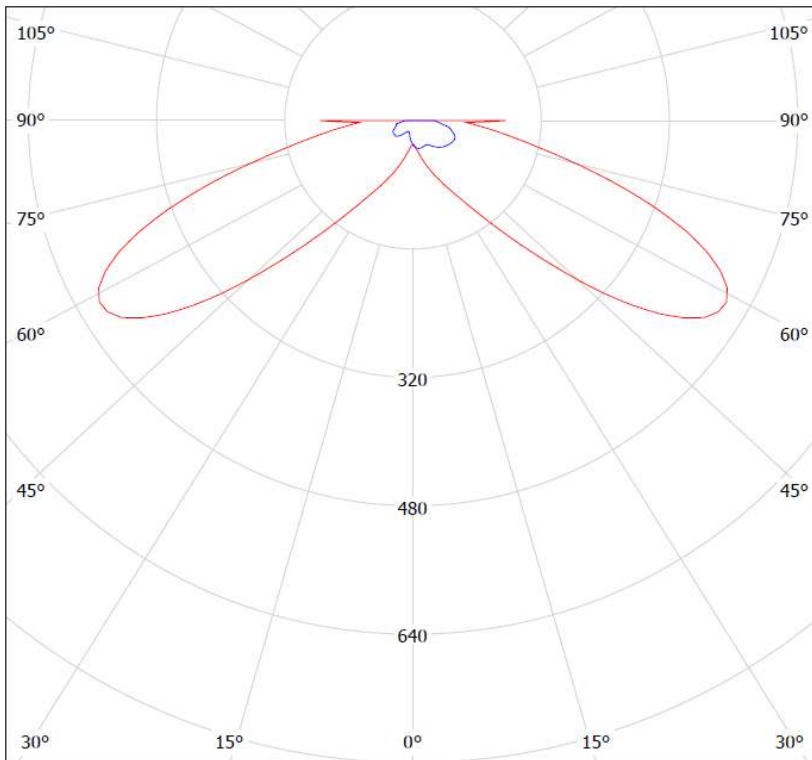
- New extremely wide SIDE-EMITTING design with very and uniform light distribution. Planned to be used mixed with Strada-T-DN lenses for optimal streetlight patterns.
- ASYMMETRICAL design with excellent usable efficiency and beam control.
- Efficiently and easily fulfilling different requirements for urban and road lighting when used together with Strada-T-DN.
- Comes with integrated positioning pins.
- Lens material optical grade PMMA. Allows use of high current and temperature conditions
- Best available optical efficiency, approximately 92%.
- Fastening to heat sink with or without PU foam adhesive tape of automotive grade, please select which suits the best for your needs.
- Please check fastening details from this link:
(http://www.ledil.com/datasheets/DataSheet_TAPE.pdf)
- Engineering kit available for download:
(http://www.ledil.fi/20100812_Nichia-119_Strada-T_Engineering_kit.zip)

LENS TYPES

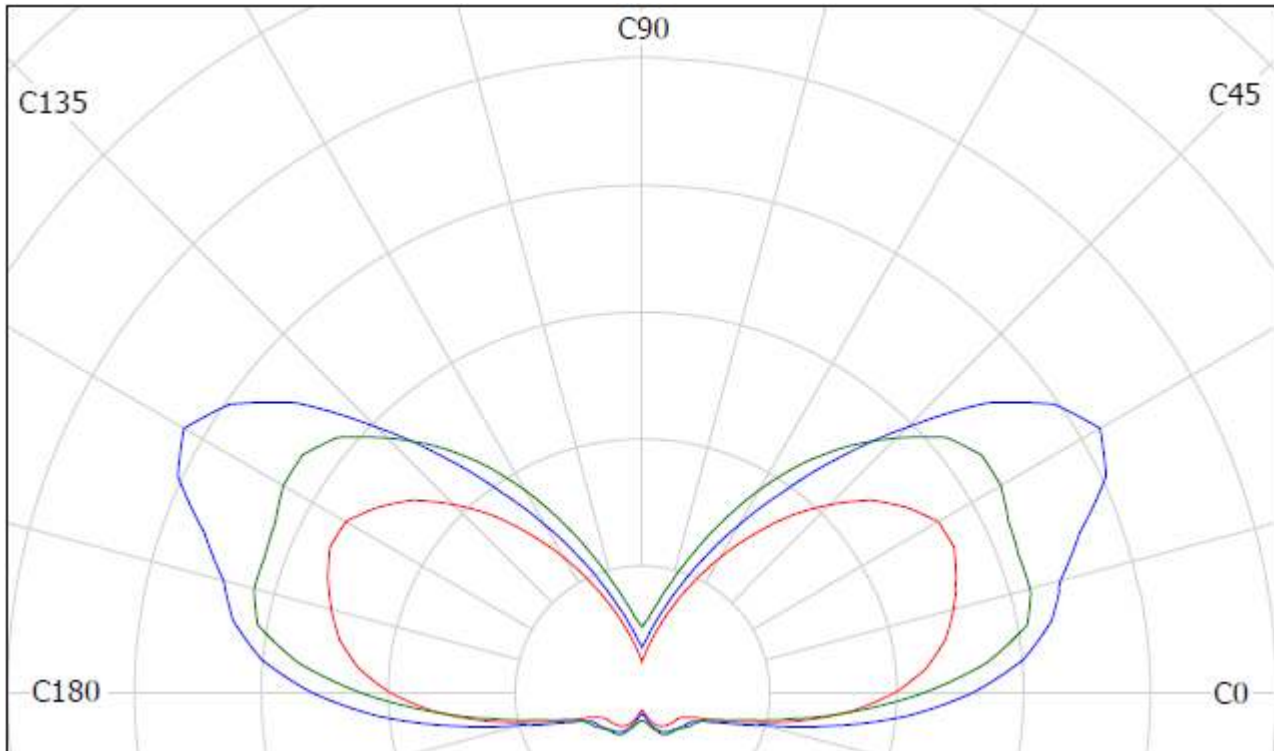
| NAME | ORDERING CODE | FWHM Angle |
|------------------|-------------------------------|--------------|
| Strada-T-DW- | C11425_Strada-T-DW-N19 | approx. ±72° |
| Strada-T-DW-TAPE | CA11426_Strada-T-DW-N19 -tape | approx. ±72° |

© Ledil Oy – PRELIMINARY - Subject to change without prior notice

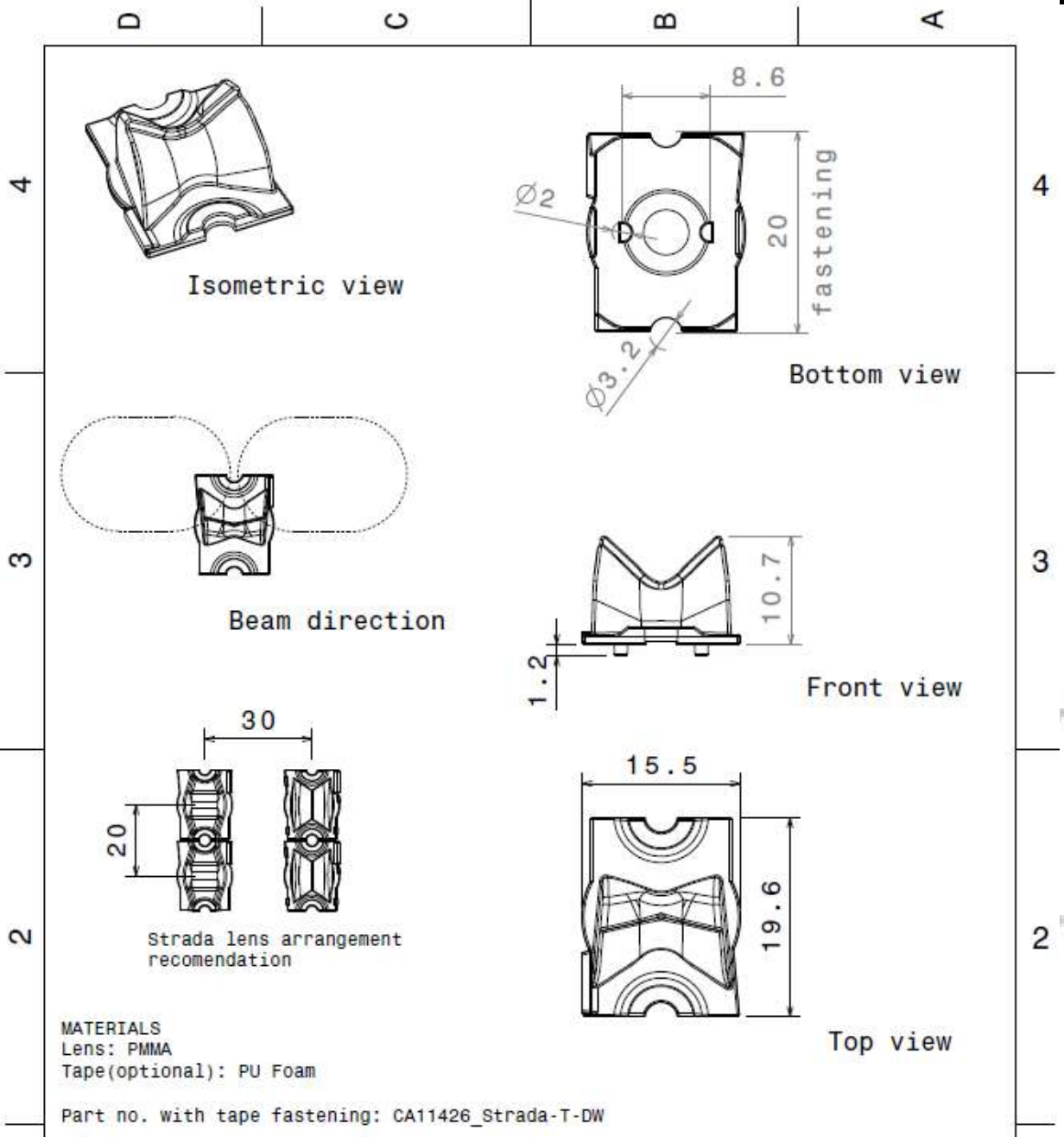
MEASUREMENT DATA & DRAWING



© Ledil Oy – PRELIMINARY - Subject to change without prior notice



© Ledil Oy – PRELIMINARY - Subject to change without prior notice



| | | | |
|---|--------------------|--|---------------------------------|
| This drawing is our property. It can't be reproduced or communicated without our written agreement. | | Ledil Oy Tehdaskatu 13 FIN-24100 SALO Finland | |
| DRAWN BY o1 | | DATE 17.05.2010 | |
| Datasheet Strada-T-DW Lens | | | |
| CHECKED BY pv | DATE 17.05.2010 | SIZE A4 | DRAWING NUMBER C11425 |
| DESIGNED BY hh | DATE 17.05.2010 | SCALE 2:1 | WEIGHT(g) SHEET 1/1 |

© Ledil Oy – PRELIMINARY - Subject to change without prior notice