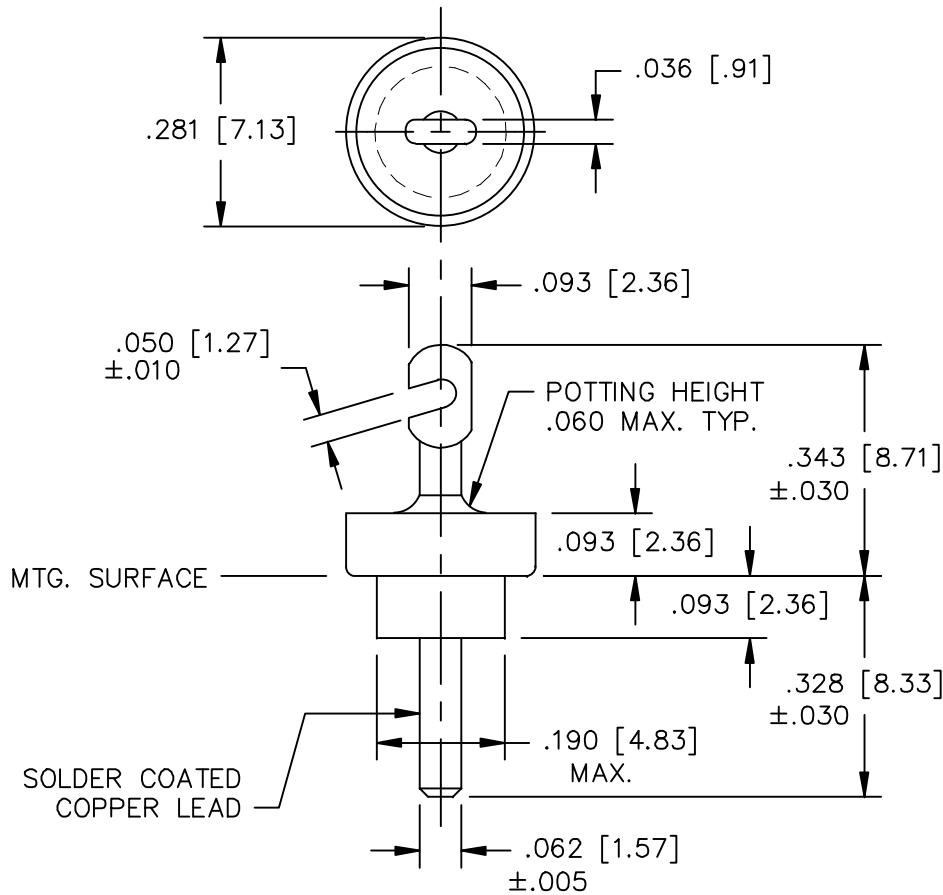


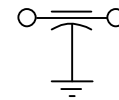
NOTES:

1. SUGGESTED MOUNTING HOLE = $\phi.191$ [4.86]
2. PRE FLATTEN/NOTCH DIMENSIONS
TOP: $.323 \pm .010$
3. SUPPLY PREFORM AS HARDWARE.




LEAD FINISH: SOLDER	
BUSHING FINISH: SILVER	
CAPACITANCE	1000pF +100/-0%
TEMP. RANGE	-55°C TO 125°C
CURRENT	25 AMP MAX.
WORKING VOLTAGE	85°C VDC MAX. 125°C 500VDC MAX.
D.C. RESISTANCE	.01ohms MAX.
MIN. I.L. PER MIL-STD-220 AT 25°C NO LOAD	
FREQ. MHz	I.L. (db)
1	N/A
10	N/A
100	N/A
1 GHz	N/A
10 GHz	N/A

SCHEMATIC



MARKING:

PART: NONE
 BAG:
 54F-794-035
 DATE CODE
 QTY./BAG (200 MAX.)

	02	01	00	REV. NO.	TOLERANCES UNLESS OTHERWISE SPECIFIED	 FAIRVIEW PENNSYLVANIA SPECTRUM CONTROL INC.
	CN. 56454-ENG	CN. 37800-ENG	CN. 34636-CPD	CHANGE NOTICE	Fractions $\pm 1/64$	
					Dec. $.xx \pm$	Date 10-27-10
					Dec. $.xxx \pm .015$	Engr. S. PETERS
					Angles $\pm 0^\circ 30'$	Scale NONE
					CODE IDENT. NO. DLSP2	Description FT CERAMIC FILTER
						54F-794-035