

MICRO SWITCH
a Honeywell Division

SWITCH - ENCLOSED

CATALOG LISTING
DTE6-2RN

FED. MFG. CODE 91929

CATALOG LISTING
DTE6-2RN

ISSUE
16

REPLACES

RELEASE NO.

03NOV06

RJ

CHECK

18NOV05

BP

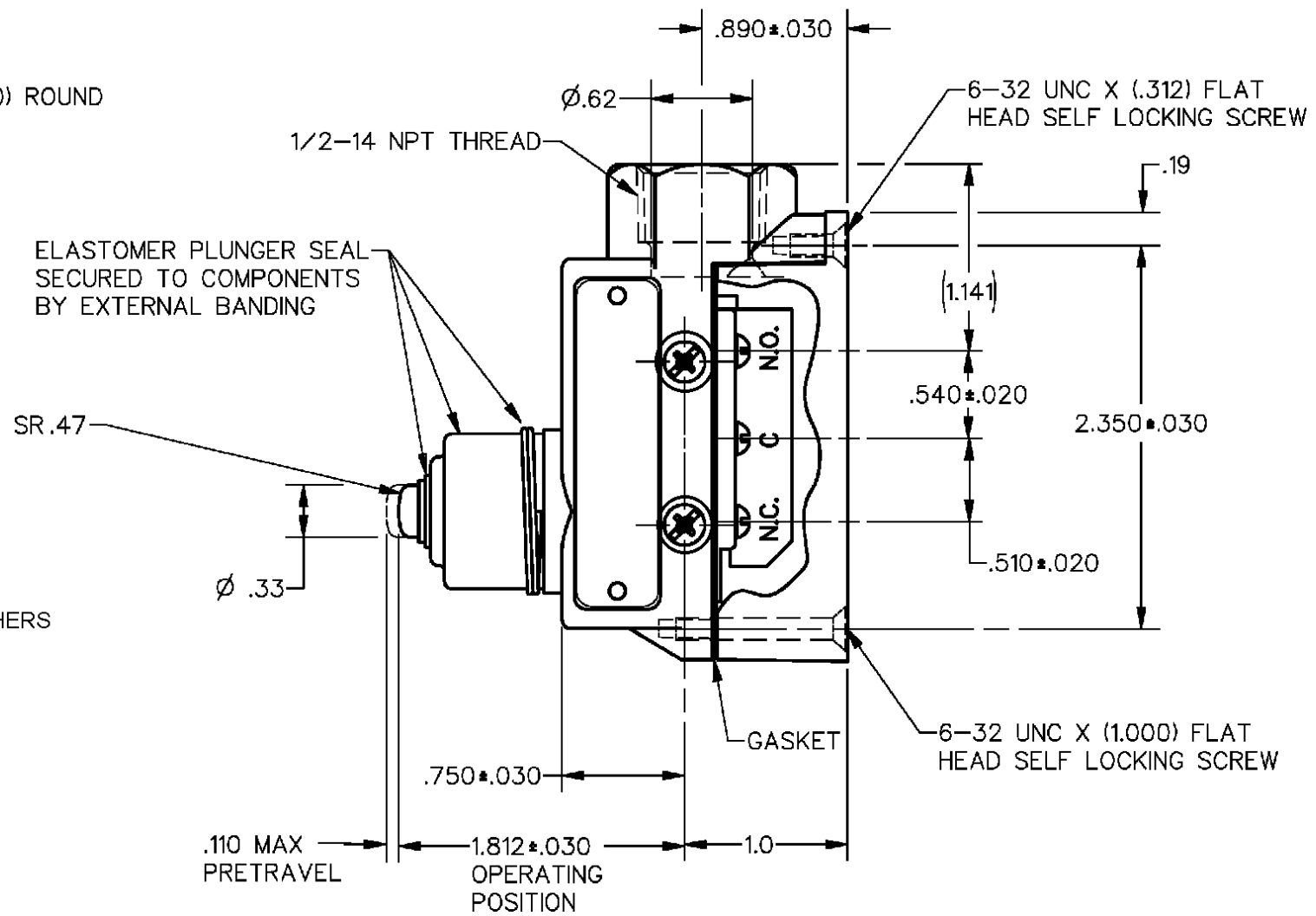
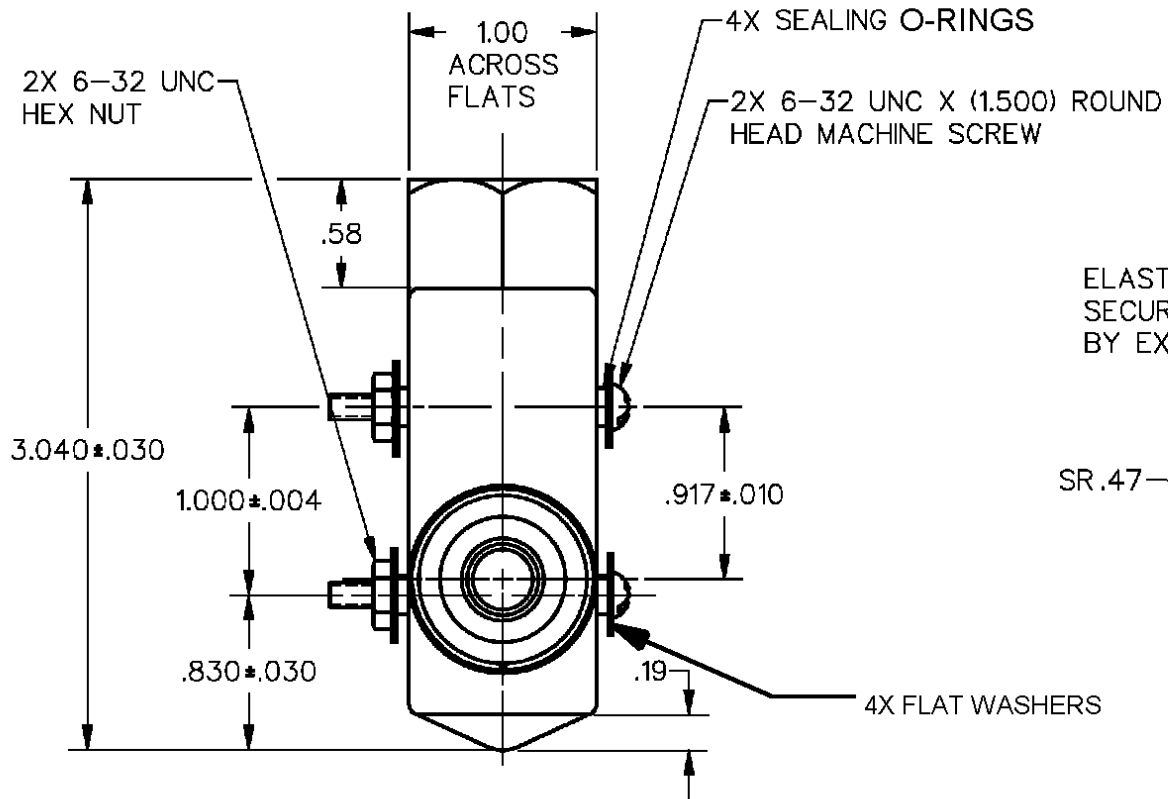
CHECK

14FEB06

SPK

03NOV06

REVISIONS	DATE	BY	CHKD
A	00-73751	S A V	8 OCT 92
B	00-73655	S M	21 APR 93
C	00-77179B	K D R	21 FEB 94
D	0016895		
E	0018962		
F	0023923	RKP	24 AUG 06
G	0025947		



NOTE
1 - 6X 4-40 UNC X (.125) TERMINAL SCREW AND LOCKWASHER
2 - SEAL RATING : NEMA 1,3,4
IP66

THIS DRAWING COVERS A PROPRIETARY ITEM AND IS THE PROPERTY OF MICRO SWITCH, A DIVISION OF HONEYWELL. THIS DRAWING IS NOT TO BE COPIED OR USED WITHOUT THE APPROVAL OF MICRO SWITCH

THIRD ANGLE PROJECTION

CHARACTERISTICS
OPERATING FORCE ———— 26-59 OZ
DIFFERENTIAL TRAVEL ———— .060 MAX
OVERTRAVEL ———— .125 MIN
BASIC SWITCH REPLACEMENT ——— DT-2R3-A7

ELECTRICAL DATA
CONTACT ARRANGEMENT D P D T
L59 10A 125 OR 250 VAC 0.3A 125 VDC, 0.15A 250 VDC

SCALE
FULL
DO NOT SCALE PRINT
UNLESS OTHERWISE SPECIFIED TOLERANCES ARE
ONE PLACE (.0) ± .030
TWO PLACE (.00) ± .015
THREE PLACE (.000) ± .005
ANGLES ±
WEIGHT .56 LB



ANSI Y14.5M-1982 APPLIES

DDM/CAD
DRAWN

S A V 8 OCT 92