

- ▶ 5 x 7 Footprint
- ▶ 4 Pole Filter
- ▶ Tape & Reel Packaging



ECS-75SMF

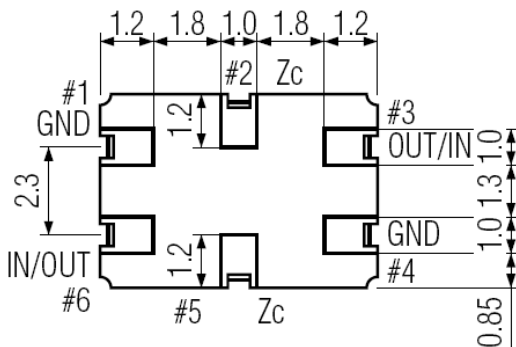
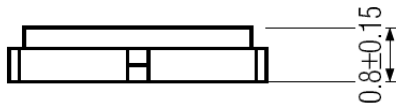
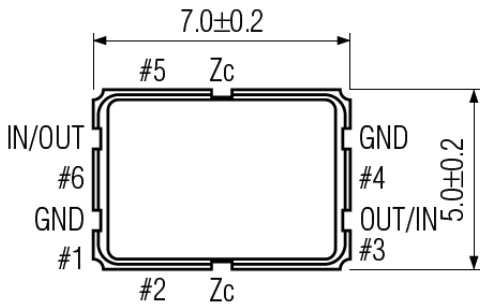
SMD CRYSTAL FILTER

The ECS-75SMF Miniature SMD Monolithic Crystal Filter offers a narrow bandwidth and a 4 pole response in a 5 x 7 package.

OPERATING CONDITIONS / ELECTRICAL CHARACTERISTICS

PART NUMBER *	CENTER FREQUENCY F ₀		PASSBAND MIN.		STOPBAND MAX.		ATTENUATION GUARANTEED MIN.		RIPPLE MAX.	LOSS MAX.	TERMINATING IMPEDANCE	OPERATING TEMPERATURE	NO. OF POLES
	MHz		dB	KHz	dB	KHz	dB	KHz	dB	dB	Ω/pF	°C	
ECS-75SMF45A7.5B	45.000		3	± 3.75	30	± 12.5	80	-910	1.0	4.0	350//6.5	-30 ~ +80	4
ECS-75SMF45A20B	45.000		3	± 10.0	25	± 25.0	80	-910	1.0	3.0	500//2.5	-30 ~ +80	4
ECS-75SMF45A30B	45.000		3	± 15.0	30	± 50.0	80	-910	1.0	3.0	1000//1.0	-30 ~ +80	4
ECS-75SMF70.05A20B	70.050 *		3	± 10.0	20	± 25.0	70	-910	1.0	4.0	2500//1.0	-30 ~ +80	4

PACKAGE DIMENSIONS (mm)



PIN CONNECTIONS	
#1	Ground
#2	Z _c
#3	Out/In
#4	Ground
#5	Z _c
#6	In/Out

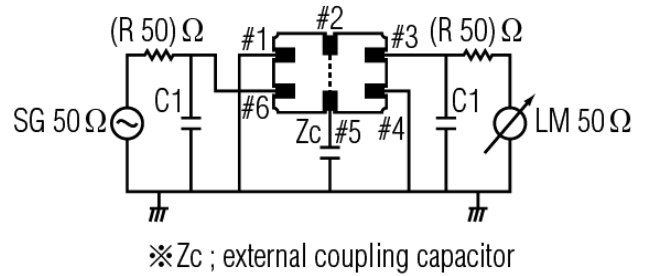


Figure 2) Test Circuit

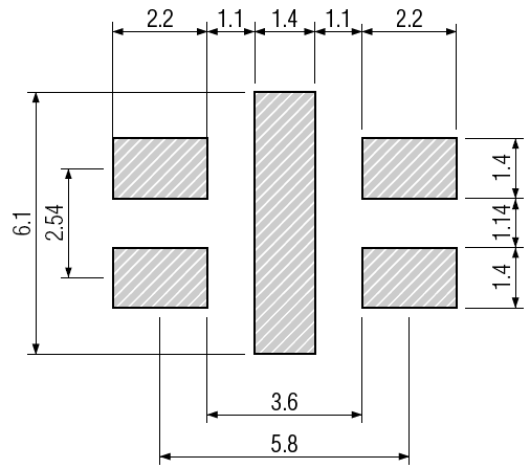


Figure 3) Land Pattern

Figure 1) Top, Side and Bottom Views

Note: * Indicates 3rd Overtone