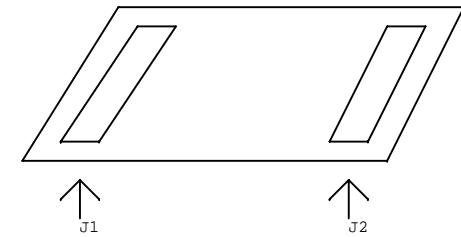


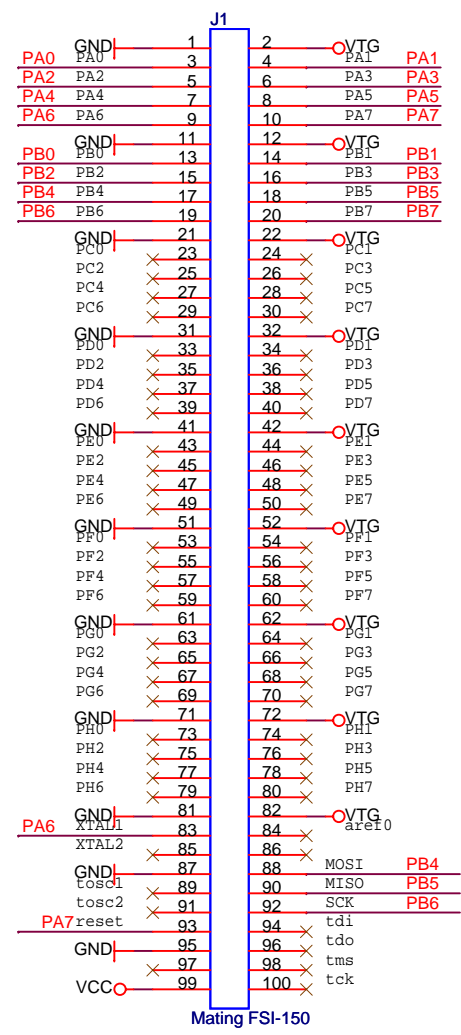
ATTiny23U / ATTiny43U Routing&Socket card

See layout guidelines for floorplan
Keep capacitors close to IC pins

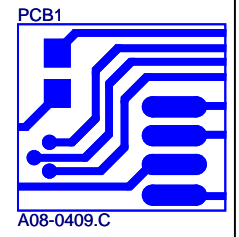
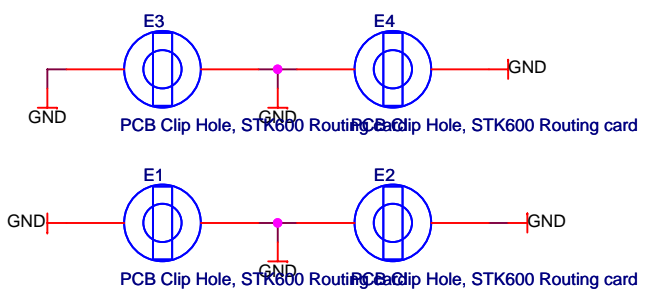
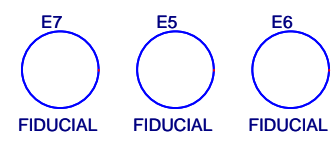
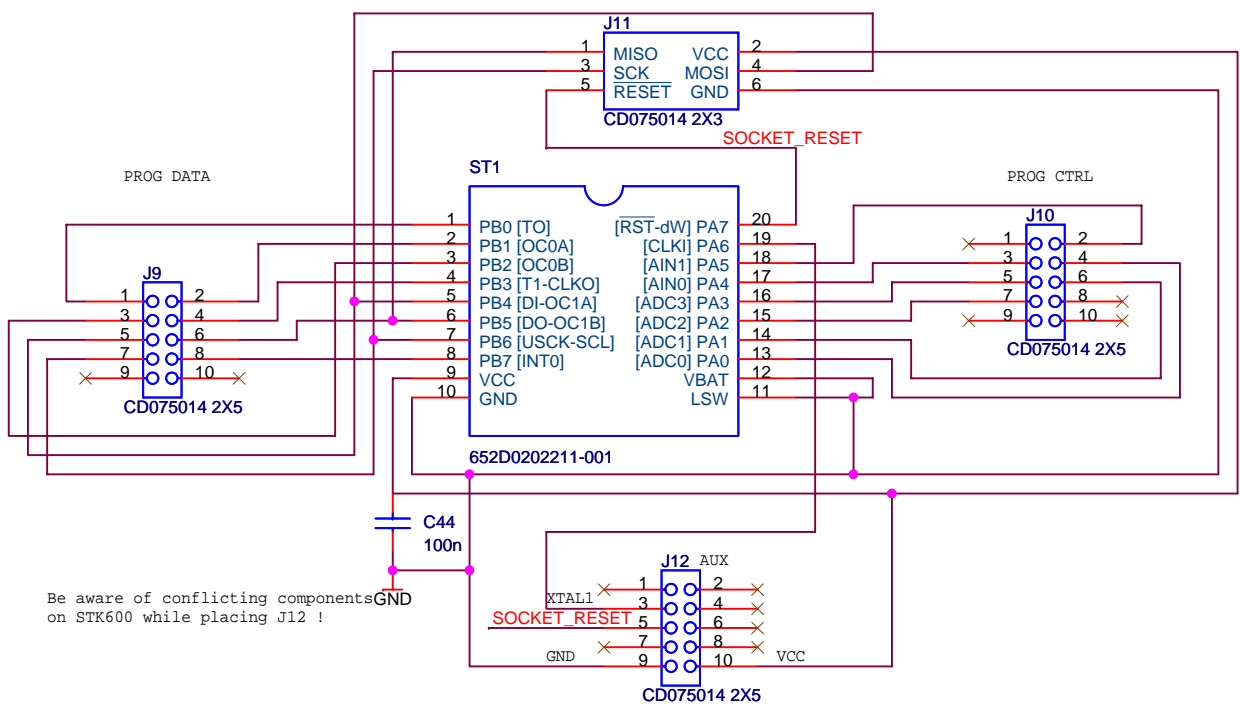
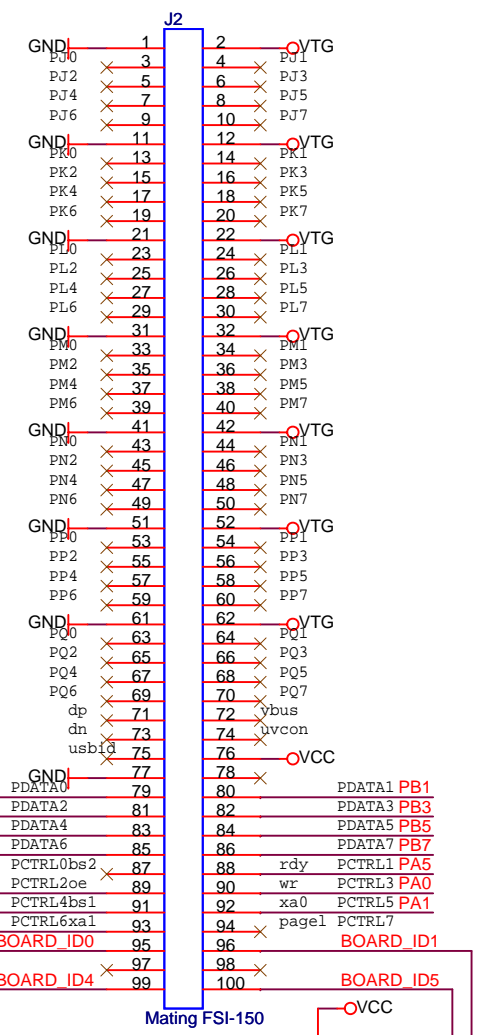
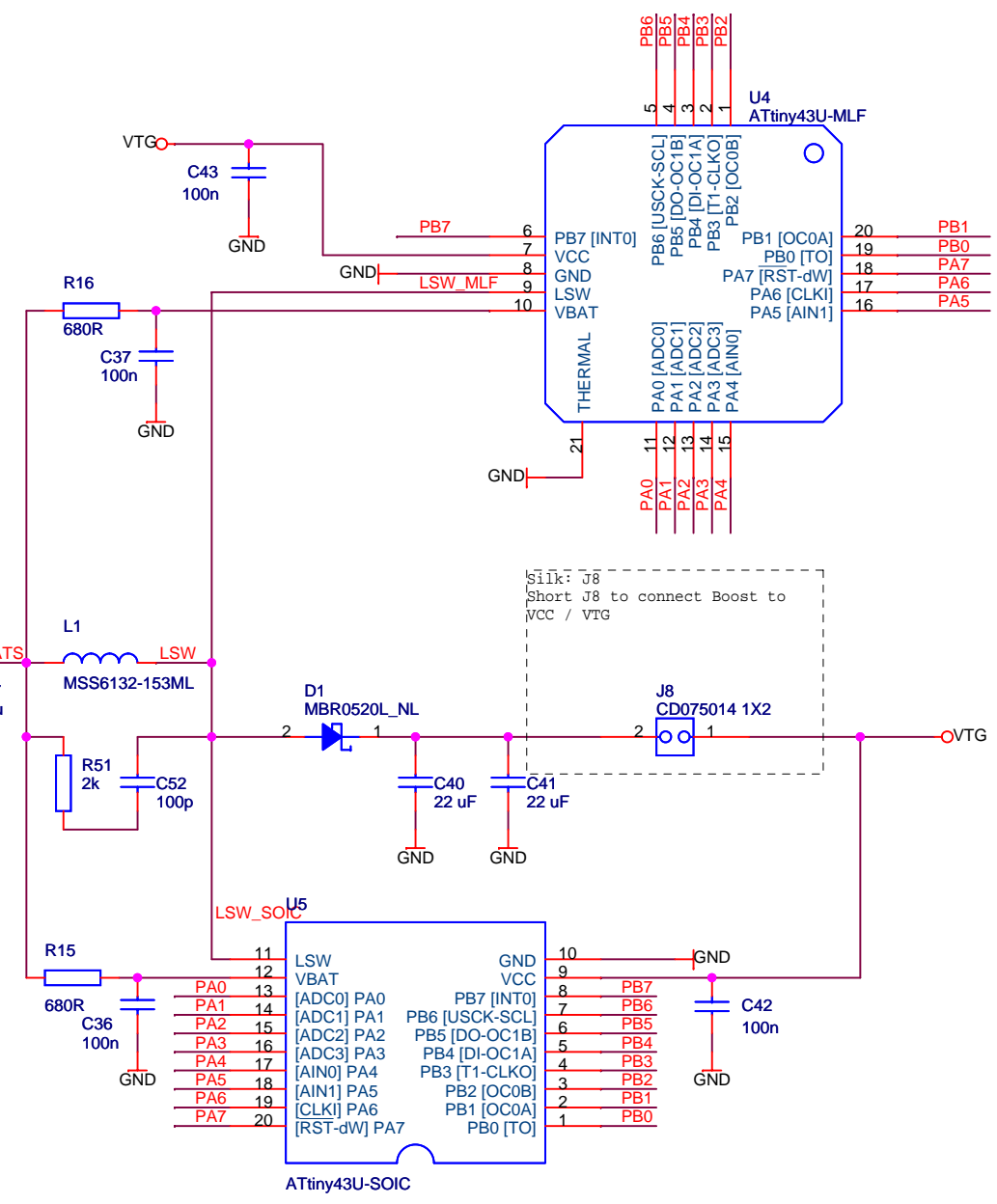
J1 and J2 goes down to the mother board.



SILK: USAGE:
BOOST regulator:
open Vtarget jumper on mainboard
short J8
strap wire from mainboard Vtarget pin1 to J3 (Vbat) pin 1
w/o BOOST regulator
short J3 (Vbat)
open J8
short Vtarget jumper on mainboard



Silk: "J3 (Vbat)"
"pin1 +" and "pin2 -"
NOTE: When connecting external power to J3
- open Vtarget on mainboard
- short J8



ATMEL Norway AS Vestre Rosten 79 N-7075 TILLER Norway		
Title: STK600 socket card ATTiny23V / ATTiny43V		
Size: A3	Document Number: <Doc>	Rev: PC2
Date: Wednesday, March 05, 2008	Sheet: 1 of 1	

Be aware of conflicting components on STK600 while placing J12 !