

PART NAME: KNOB SCALE: 1:1 DATE: 9/23/71 DR. BY NH

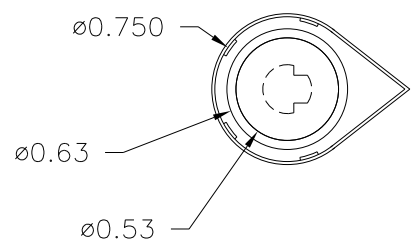
DAVIES MOLDING COMPANY
CAROL STREAM, ILLINOIS 60188

P/N 1210-H

THIS DRAWING IS THE PROPERTY OF DAVIES MOLDING COMPANY, IS SUBMITTED SOLELY AS A DESIGN OR ENGINEERING PROJECT. WE ACCEPT NO RESPONSIBILITY WHATSOEVER FOR THE PRACTICAL APPLICATION OF THE PIECES MADE TO THIS DESIGN.

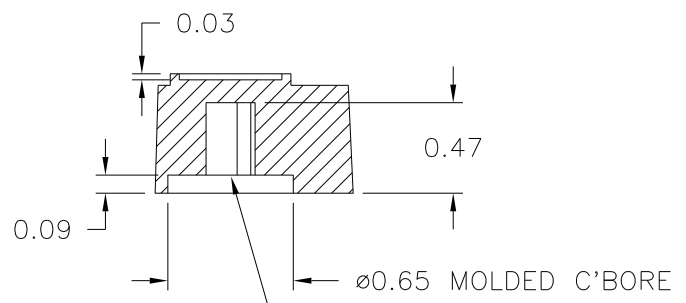
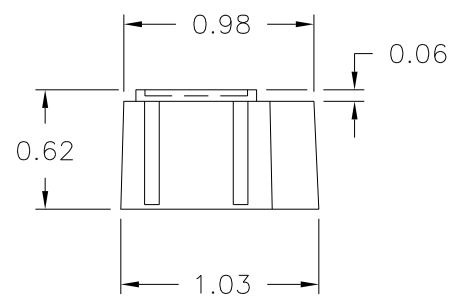
BASE PART 1210-05

SPRING I0476

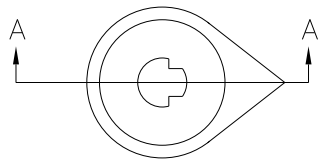


(B)

SECTION A-A



SPRING I0476 TO ACCOMMODATE ø0.250
FLATTED TO 0.156



MATERIAL: G.P. PHENOLIC (B11)
COLOR: BLACK

TOLERANCES: UNLESS OTHERWISE SPECIFIED		DO NOT SCALE DRAWING		B	REMOVED "MOLDED HOLE DETAIL" VIEW, DRAWN INCORRECTLY	JAM	1/29/04
DECIMALS: X.XXX ± .005 X.XX ± .015		MM: X.XX ± 0.15MM X.X ± 0.4MM		-	UPDATED/HAD TOOLBOX	ST	4/17/2000
FRACTIONS ± 1/64		ANG. ± 1°		-	RE-DID REDRAW	TL	8/26/99
				A	CORRECTED, WAS M-1212	HD	1/6/98
				-	CAD REDRAW	HD	8/19/97
CHANGES							