

DETAILS

Product Number	FCN14661_STELLA-A
Family	STELLA
Type	Pack
Color	black
Diameter	90 mm
Height	22 mm
Style	round
Optic Material	Silicone
Holder Material	PA66GF30
Fastening	
Status	ready
ROHS Compliant	Yes
Date Updated	1/07/2015

OPTICAL PROPERTIES

LED	Viewing Angle	Light Beam	Efficiency	cd/lm	Connector
CXA/B 1816 & CXA/B 1820 & CXA 1850	Asymmetric deg	Asymmetric	91 %	0.732	-
CXA/B 15xx	Asymmetric deg	Asymmetric	91 %	1.030	-



H G F E D C B A

4

4

3

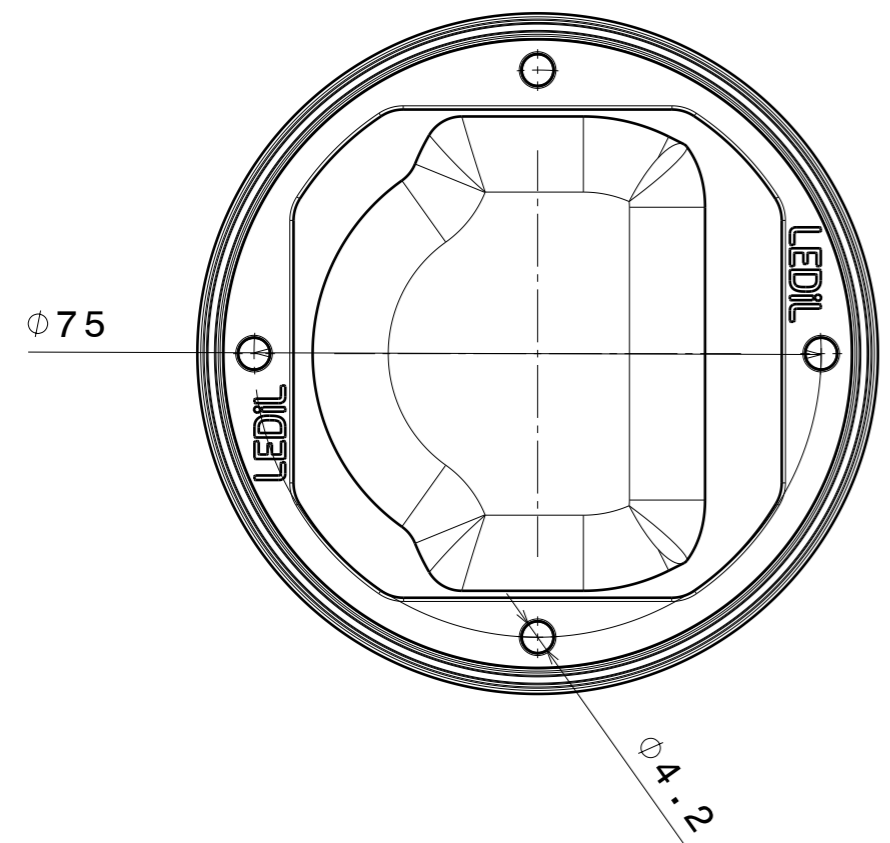
3

2

2

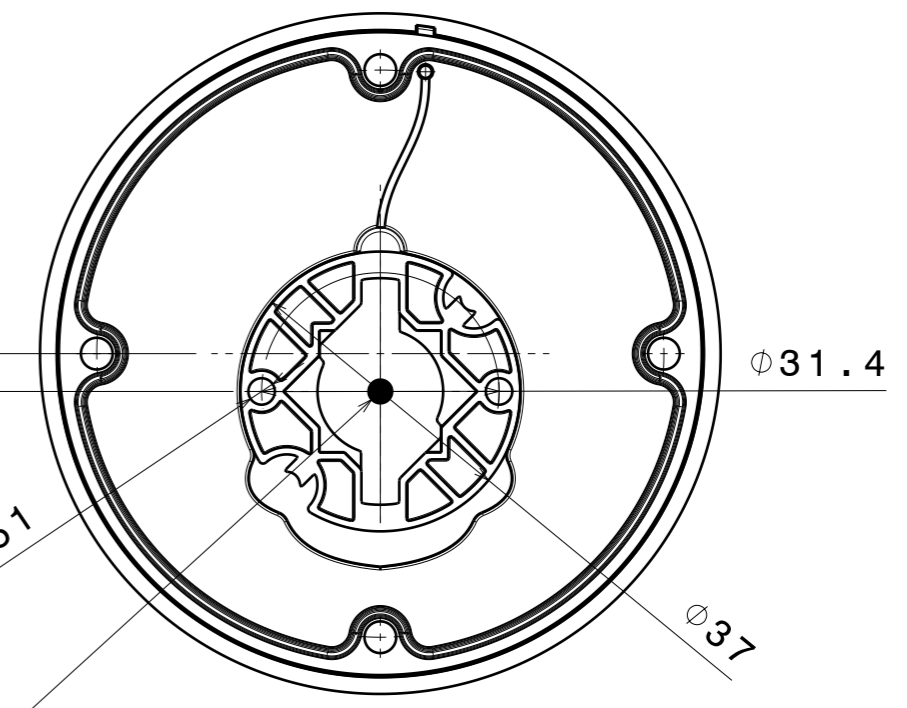
1

1

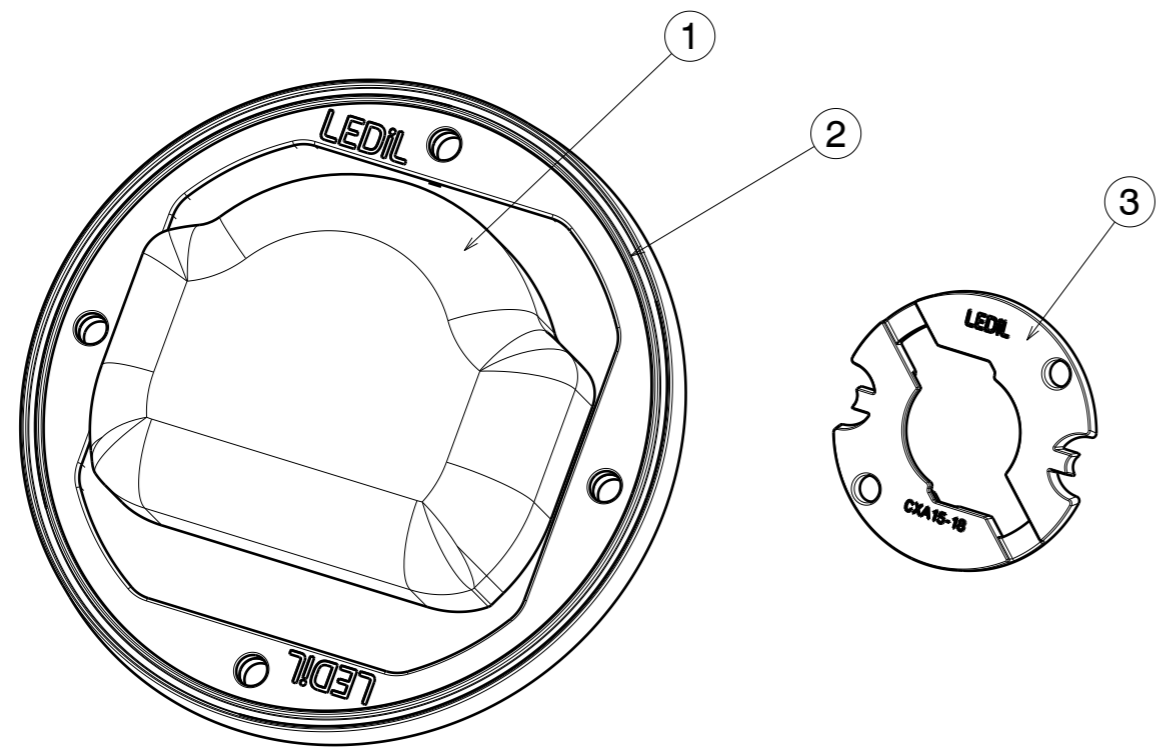
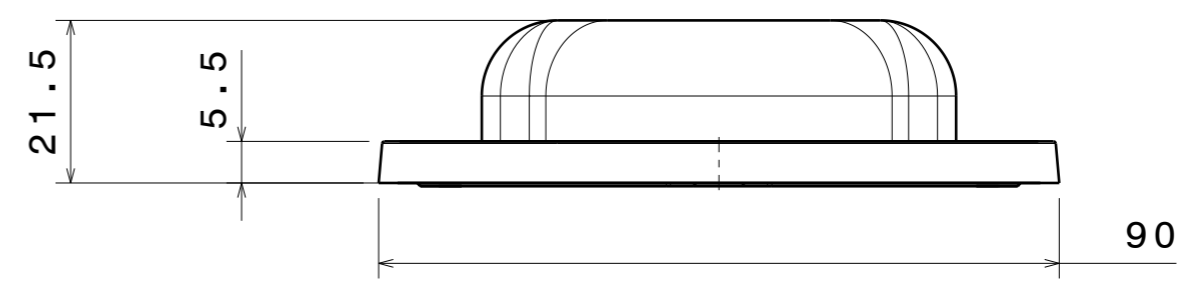


LED position offset from lens center

5



LED position



INDEX	PART NO	DESCRIPTION	MATERIAL	COLOUR
1	F13321	STELLA-A	Optical silicone	clear
2	F13322	STELLA-FRAME	PA	black
3	C14305	STELLA-CLAMP-CXA15-18	PC	white

Tolerances if not otherwise shown
According to DIN ISO 2768-1
Linear measures: class V
Please note that due to the elasticity of products made of silicone actual measured values may vary, and therefore typical tolerance values may not be applied.

LEDiL LediL Oy
Salorankatu 10
FIN 24240 SALO
Finland

THIRD ANGLE PROJECTION:

DRAWING TITLE
FCN14661_STELLA-A

This drawing is the property of LEDiL Oy. It may not be reproduced, copied or communicated without a written agreement with LEDiL Oy.

SIZE PART NUMBER
A3 FCN14661

SCALE 1:1 WEIGHT 60,4 g SHEET 1/1

H G B A

NOTE: The typical divergence will be changed by different color, chip size and chip position tolerance. The typical total divergence is the full angle measured where the luminous intensity is half of the peak value.

GENERAL INFORMATION

- Product series especially designed & optimized for series of LEDs.
- Special care taken to make light distribution as uniform as possible.

Note! Due to use of high power COB's with this product, special attention to proper thermal design is highly recommended. LEDiL has no liability for direct, indirect or consecutive damages arising from the LEDiL products being used outside of the recommended temperature range.