

General Specifications

Motor Protection:

Auto Restart/Polarity Protection

Insulation Resistance:

10M Ω or over with a DC500V Megger

Dielectric Withstand Voltage: AC 700V 1s

Allowable Ambient Temperature Range:

-10°C ~ +70°C (Operating)

-40°C ~ +70°C (Storage)

(non-condensing environment)

Expected Life

Failure Rate: 10%

60°C 40,000 Hours (AA/EA)

Material

Casing : Plastic (Black) UL94V-0

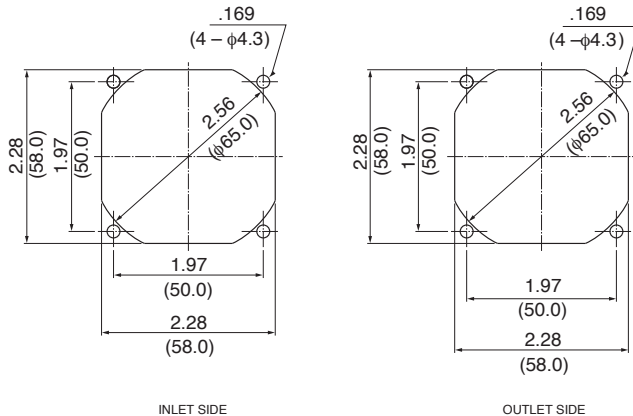
Impeller : Plastic (Black) UL94V-0

Bearing : Ball Bearing

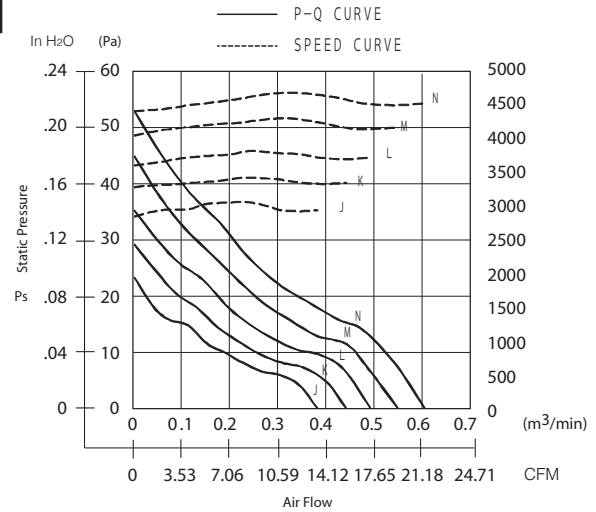
Lead Wire : UL3385, AWG26, +Red, -Black

Panel Cut-Outs

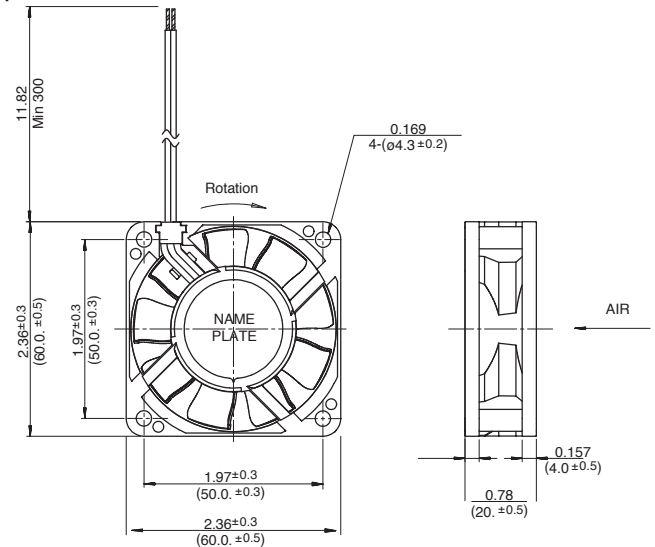
Units: $\frac{\text{inch}}{\text{mm}}$



Characteristic Curves



Outline



Specifications

MODEL	Rated Voltage	Operating Voltage	Current	Input Power	Speed	Max. Air Flow		Max. Static Pressure		Noise	Mass
	(V)	(V)	(A) ^{*1}	(W) ^{*1}	(min ⁻¹) ^{*1}	CFM ^{*1}	(m ³ /min) ^{*1}	in H ₂ O	(Pa) ^{*1}	(dB) ^{*1}	(g)
06020SA-12J-AA-00	12	6.0 ~ 13.8	0.05	0.58	2800	12.7	0.36	0.09	21.2	21.5	56
06020SA-12K-AA-00	12	6.0 ~ 13.8	0.05	0.58	3200	14.5	0.41	0.11	27.6	23.5	56
06020SA-12L-AA-00	12	6.0 ~ 13.8	0.06	0.72	3600	16.6	0.47	0.14	34.7	26.0	56
06020SA-12M-AA-00	12	6.0 ~ 13.8	0.08	0.96	4000	18.4	0.52	0.17	42.6	28.5	56
06020SA-12N-AA-00	12	6.0 ~ 13.8	0.09	1.08	4400	20.5	0.58	0.21	52.1	30.5	56
06020SA-24L-AA-00	24	9.0 ~ 27.6	0.05	1.20	3600	16.6	0.47	0.14	34.4	26.0	56
06020SA-24M-AA-00	24	9.0 ~ 27.6	0.06	1.44	4000	18.4	0.52	0.16	40.0	28.5	56
06020SA-24N-AA-00	24	9.0 ~ 27.6	0.07	1.68	4400	20.5	0.58	0.20	49.1	30.5	56

Rotation: Clockwise

Airflow Outlet: Air Out Over Struts

*1: Average Values in Free Air

Note: PWM/Locked Rotor/Tach Available