

NOTES:

1. MATERIALS OF CONSTRUCTION:

SMA BODY - STAINLESS STEEL, PASSIVATED  
 P-SMP BODY - BERYLLIUM COPPER, GOLD PLATING  
 CONTACT PIN - BERYLLIUM COPPER, GOLD PLATING  
 INSULATOR - PTFE, NATURAL

2. ELECTRICAL:

A. IMPEDANCE: 50 OHM, NOMINAL  
 B. FREQUENCY RANGE: DC - 10 GHz  
 C. RETURN LOSS(VSWR): 33 dB MIN. @ DC-4 GHz  
 26 dB MIN. @ 4-10 GHz  
 D. INSERTION LOSS: 0.05X $\sqrt{f(\text{GHz})}$  dB MAX.  
 E. POWER HANDLING: 200W MAX. @ 2.2 GHz AT 20°C  
 F. D.W.V: 1000 VRMS, MIN.

3. MECHANICAL:

A. DURABILITY: SMA JACK SIDE : 500 CYCLES MIN.  
 P-SMP JACK SIDE: 100 CYCLES MIN WHEN MATED WITH FULL DETENT PLUG  
 100 CYCLES MIN WHEN MATED WITH LIMITED DETENT PLUG  
 1000 CYCLES MIN WHEN MATED WITH A SMOOTH BORE PLUG  
 B. TEMPERATURE RANGE: -55°C TO +155°C

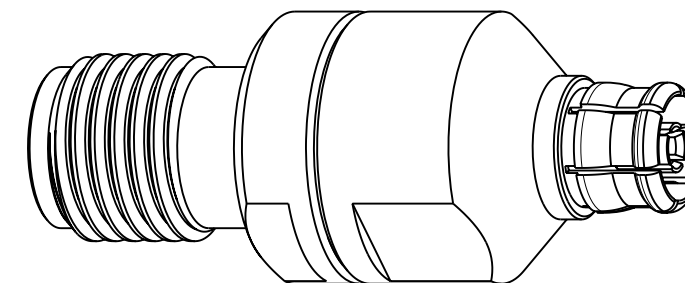
4. PACKAGING:

A. QUANTITY: SINGLE PACK  
 B. MARKING: BAG TO BE MARKED  
 "AMPHENOL RF, AD-SMAJ-PSMPJ-1, AND DATE CODE"

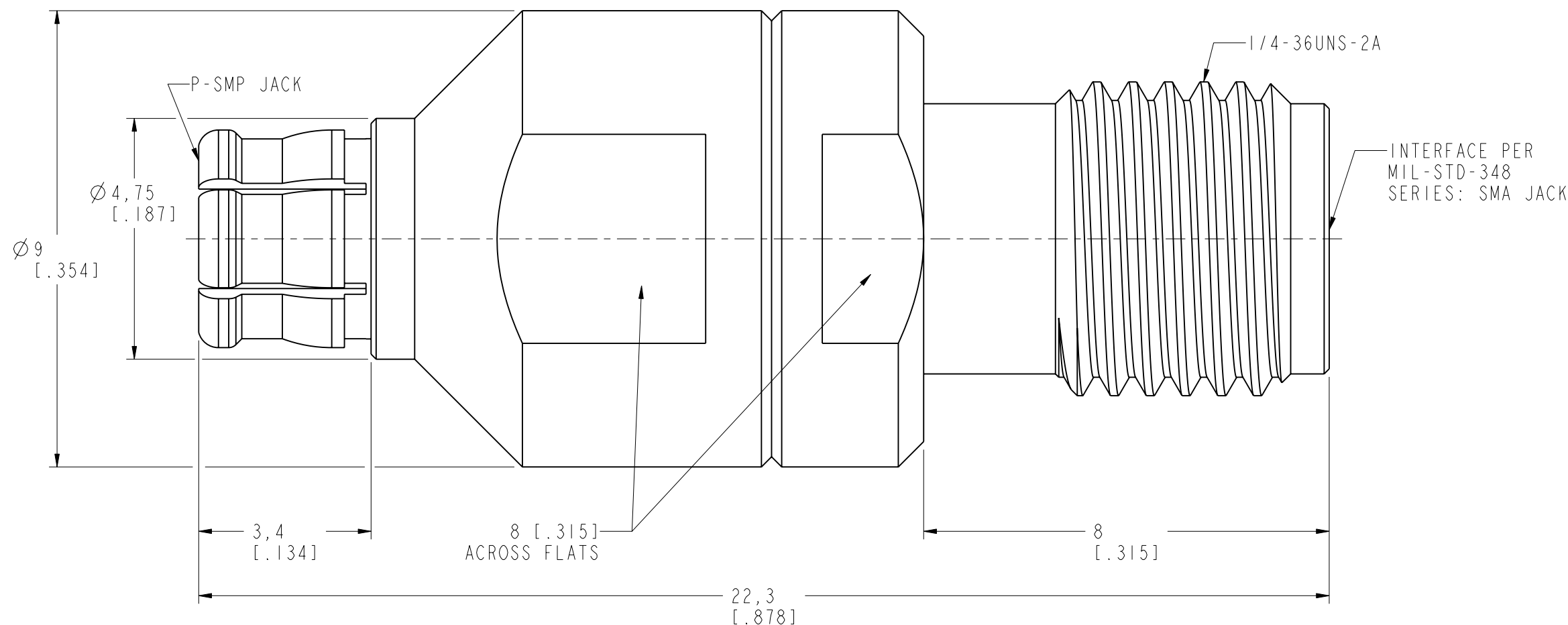
THIRD ANGLE PROJ.

REVISIONS

REV	DESCRIPTION	DATE	ECO	APPR
A	RELEASE TO MFG.	14-May-18	08102	BEW



SCALE 4.000



**CUSTOMER OUTLINE DRAWING**

ALL OTHER SHEETS ARE FOR INTERNAL USE ONLY

UNLESS OTHERWISE SPECIFIED, DIMENSIONS ARE IN METRIC AND TOLERANCES ARE:  
 <0.5mm ±0.05mm    0.5 - 6mm ±0.1mm    6 - 30mm ±0.2mm    30 - 120mm ±0.3mm    ANGLES ±1°

NOTICE - These drawings, specifications, or other data (1) are, and remain the property of Amphenol corp. (2) must be returned upon request; and (3) are confidential and not to be disclosed to any person other than those to whom they are given by Amphenol Corp. the furnishing of these drawings, specifications, or other data by Amphenol Corp., or to any other person to anyone for any purpose is not to be regarded by implication or otherwise in any manner licensing, granting rights to permitting such holder or any other person to manufacture, use or sell any product, process or design, patented or otherwise, that may in any way be related to or disclosed by said drawings, specifications, or other data.

MATERIAL	-
REFERENCE	EAR# 6971 AND
CONFIGURATION LEVEL:	In Work
FINISH	

DRAWN	M. ZHANG	DATE	14-May-18
ENGINEER	M. ZHANG	DATE	08-Apr-16
APPROVED	S. HSIEH	DATE	15-May-18
CAD FILE			

TITLE		P-SMP JACK TO SMA JACK ADAPTER	
SCALE:	10.0:1.0	SHEET	2 OF 2
DWG SIZE	B	REV	A

Amphenol RF	
www.amphenolrf.com	
DRAWING NO.	AD-SMAJ-PSMPJ-1
ITEM NO.	AD-SMAJ-PSMPJ-1
PART NO.	AD-SMAJ-PSMPJ-1