

K-No.: 26333

1000 A Current Sensor for ±15V- Supply Voltage
Date: 10.04.2014

 for electric current measurement:
 DC, AC, pulsed, mixed ..., with a galvanic isolation between
 primary circuit (high power) and secondary circuit (electronic circuit)

Customer: Standard Type

Customer part no.:
Page 1 **of** 6

Electrical Data – Ratings

I_{PN}	Primary nominal r.m.s. current	1000	A
R_M^*	Measuring resistance	0 ... 100	Ω
I_{SN}	Secondary nominal r.m.s. current	200	mA
K_N	Turns ratio	(1): 5000	

 * for $I_{P,max}$ see fig. 1 on page 2

Accuracy – Dynamic performance data

		min.	typ.	max.	Einheit
$I_{P,max}^*$	Max. measuring range @ $R_M = 10 \Omega$; $T_A = 25^\circ C$	1580			A
	@ $R_M = 10 \Omega$; $T_A = 85^\circ C$	1340			A
X	Accuracy @ I_{PN} , $T_A = -40 \dots +85^\circ C$			0.4	%
ϵ_L	Linearity			0.1	%
I_0	Offset current @ $I_P = 0$, $T_A = 25^\circ C$			0.1	mA
I_{0H}	Hysteresis current			0.1	mA
t_r	Response time @ 80% of I_{PN}		< 1		μs
$\Delta t (I_{P,max})$	Delay time at $di/dt = 1200 A/\mu s$			1	μs
f	Frequency bandwidth	DC...100			kHz

 *currents with high slew rates can be measured above $I_{P,max}$
General data

		min.	typ.	max.	Einheit
T_A	Ambient operating temperature	-40		+85	$^\circ C$
T_S	Ambient storage temperature	-40		+85	$^\circ C$
m	Mass		550		g
V_C	Supply voltage	±13.50	±15	±15.75	V
I_{C0}	Current consumption for $I_P = 0A$		25		mA
I_{CN}	Current consumption for $I_{PN} = 1000A$		190		mA
* S_{clear}	Clearance	20			mm
* S_{creep}	Creepage	20			mm

 * Constructed and manufactured and tested in accordance with EN 61800-5-1 (Pin 1 - 4 to primary opening)
 Reinforced insulation, Insulation material group 1, Pollution degree 2

* V_{sys}	System voltage	overvoltage category 3	RMS	1000	V
* V_{work}	Working voltage	(tabel 7 acc. to EN61800-5-1)	RMS	1500	V
* U_{PD}	Rated discharge voltage		peak value	1500	V

 Max. potential difference acc. to UL 508 RMS 1000 V_{AC}

Datum	Name	Index	Änderung
10.04.14	KRe.	83	Completion of data sheet: X, V_C , „max. Potential...“ (page1), Values for supply voltage (page2), maximum continuous currents at defined Temperatures (page2), Applicable documents added and V_d from 4.4 → 6kV (page 5) CN-985

Hrsg.: KB-E editor	Bearb.: Ockajak designer	KB-PM: KRe. check	freig.: HS released
-----------------------	-----------------------------	----------------------	------------------------

K-No.: 26333

1000 A Current Sensor for $\pm 15V$ - Supply Voltage

Date: 10.04.2014

for electric current measurement:
DC, AC, pulsed, mixed ..., with a galvanic isolation between
primary circuit (high power) and secondary circuit (electronic circuit)

Customer: Standard Type

Customer part no.:

Page 2 of 6

Maximum peak currents at defined temperatures Values for supply voltage $\pm 14.25 V (\pm 15 V -5 \%)$

T_A	55 °C	55 °C	55 °C	55 °C
R_M	1 Ω	5 Ω	20 Ω	50 Ω
$I_{P,max}$	1780A	1620A	1200A	790A

T_A	85 °C	85 °C	85 °C	85 °C
R_M	1 Ω	5 Ω	20 Ω	50 Ω
$I_{P,max}$	1620A	1480A	1120A	750A

Maximum continuous currents at defined temperatures

T_A	$\leq 70\text{ °C}$	$70\text{ °C} < T_a \leq 85\text{ °C}$
$I_P = I_{P,max}$ up to	1800 A _{rms}	1200 A _{rms}

Limit curve of measurable current $\hat{I}_P=f(R_M)$ Values for supply voltage $\pm 14.25 V (\pm 15 V -5 \%)$

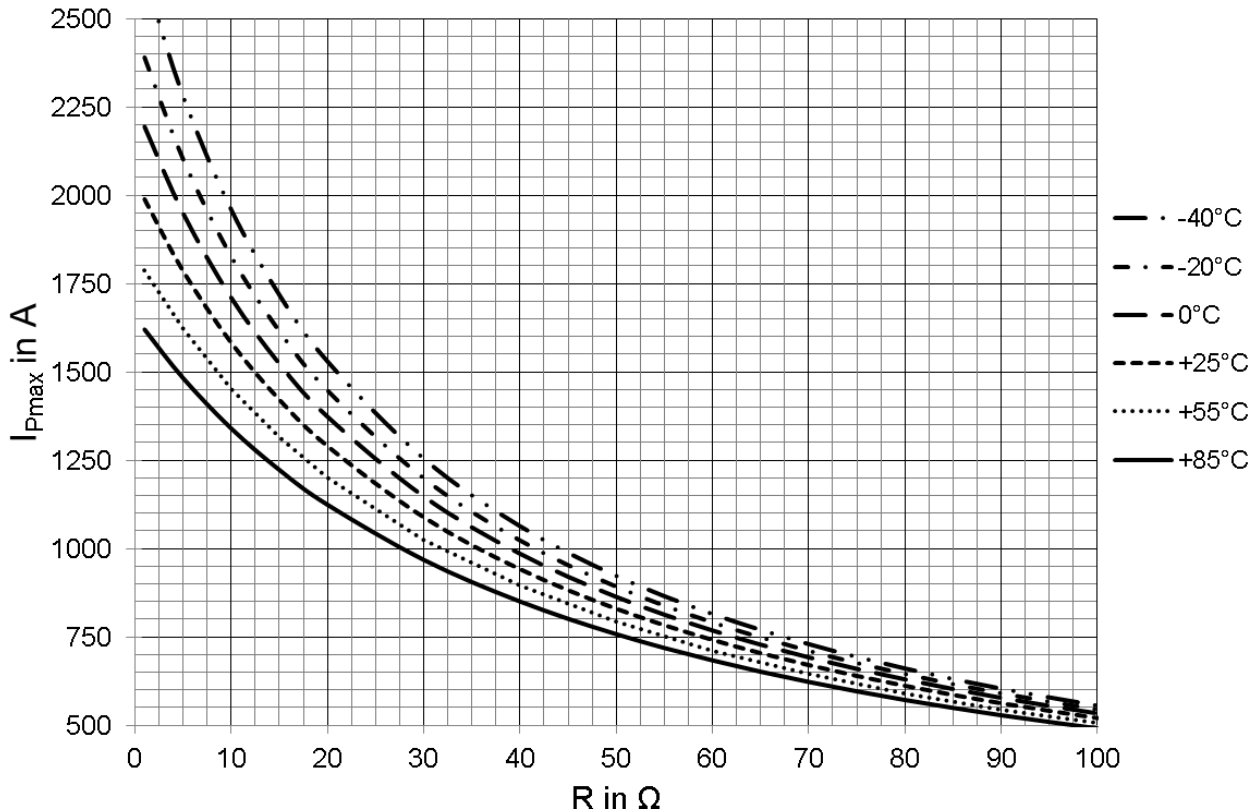


Fig. 1: $I_{P,max} = f(R_m) @T_A$

Hrsg.: KB-E
editor

Bearb: Ockajak
designer

KB-PM: KRe.
check

freig.: HS
released

K-No.: 26333

1000 A Current Sensor for $\pm 15V$ - Supply Voltage

Date: 10.04.2014

for electric current measurement:
DC, AC, pulsed, mixed ..., with a galvanic isolation between
primary circuit (high power) and secondary circuit (electronic circuit)

Customer: Standard Type

Customer part no.:

Page 3 of 6

Overload puls (μs -range)

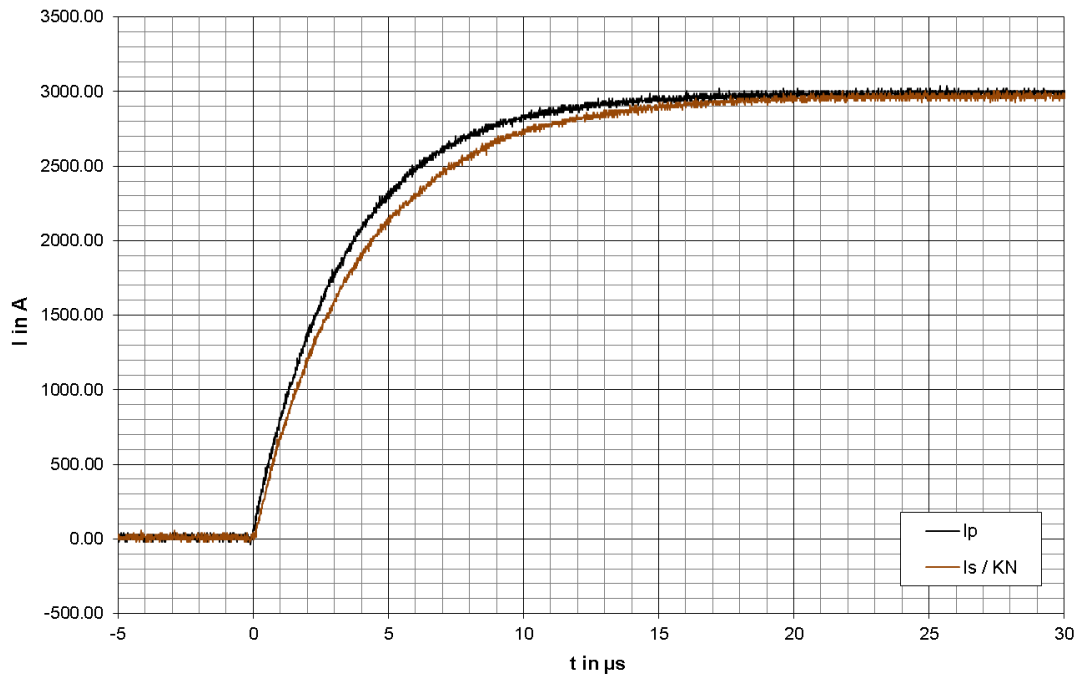
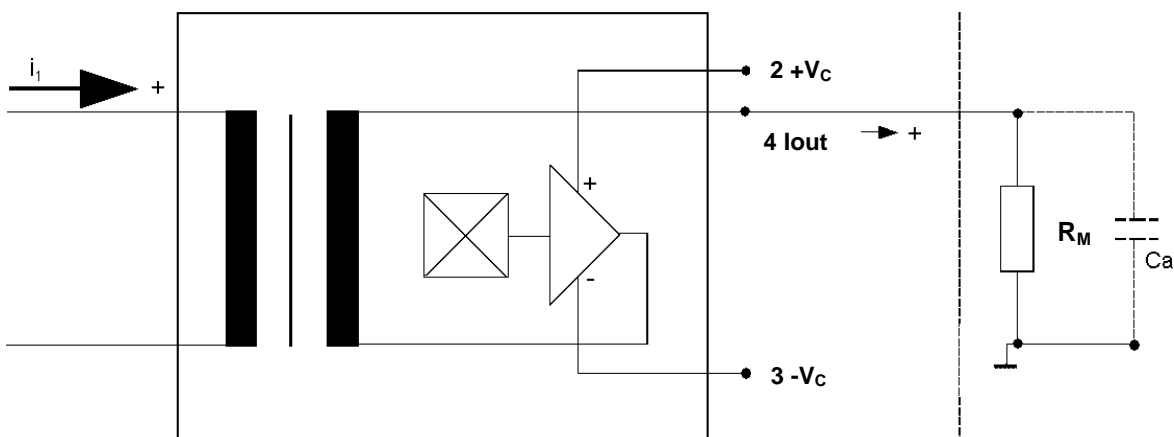


Fig. 2: Output current reaction of a 3kA current pulse with $R_M = 10\Omega$

Schematic diagram:



Hrsg.: KB-E
editor

Bearb: Ockajak
designer

KB-PM: KRe.
check

freig.: HS
released

Weitergabe sowie Vervielfältigung dieser Unterlage, Verwertung und Mitteilung ihres Inhalts nicht gestattet, soweit nicht ausdrücklich zugestanden. Zuwiderhandlungen verpflichten zu Schadenersatz. Alle Rechte für den Fall der Patenterteilung oder GM-Eintragung vorbehalten

Copying of this document, disclosing it to third parties or using the contents there for any purposes without express written authorization by use illegally forbidden. Any offenders are liable to pay all relevant damages.

K-No.: 26333

1000 A Current Sensor for ±15V- Supply Voltage

Date: 10.04.2014

for electric current measurement:
DC, AC, pulsed, mixed ..., with a galvanic isolation between
primary circuit (high power) and secondary circuit (electronic circuit)

Customer: Standard Type

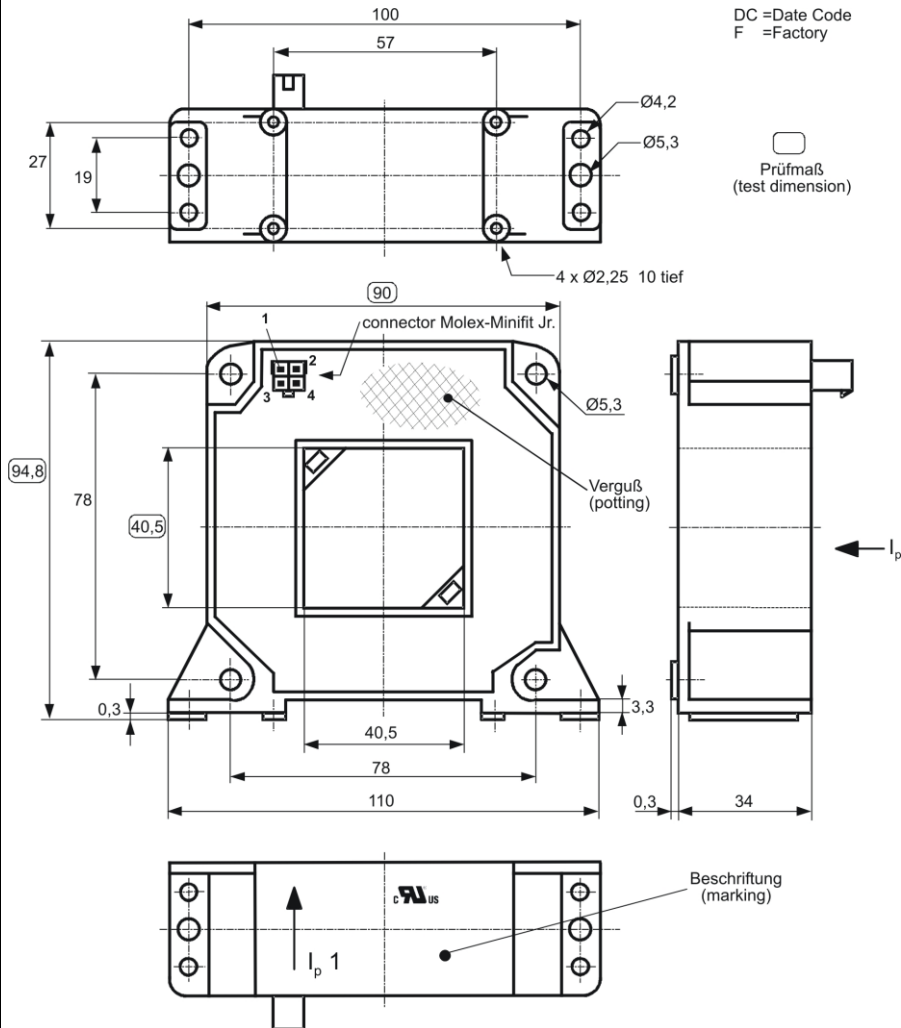
Customer part no.:

Page 4 of 6

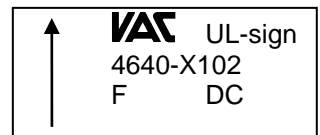
Maßbild (mm): Freimaßtoleranz DIN ISO 2768-c
Mechanical outline General tolerance

Anschlüsse:
Connections:
Connector:
Molex Minifit(4Pin)

Pin 1: n.c.
Pin 2: +V_C
Pin 3: -V_C
Pin 4: I_{out}



Beschriftung (marking):



¹ I_p: positive current direction

Offset ripple reduction

The offset ripple can be reduced by an external low pass. Simplest solution is a passive low pass filter of 1st order with

$$f_g = \frac{1}{2\pi \cdot R_M \cdot C_a}$$

In this case the response time is enlarged.

It is calculated from:

$$t'_r \leq t_r + 2,5R_M C_a$$

Hrsg.: KB-E
editor

Bearb: Ockajak
designer

KB-PM: KRe.
check

freig.: HS
released

K-No.: 26333

1000 A Current Sensor for $\pm 15V$ - Supply Voltage

Date: 10.04.2014

for electric current measurement:
DC, AC, pulsed, mixed ..., with a galvanic isolation between
primary circuit (high power) and secondary circuit (electronic circuit)

Customer: Standard Type

Customer part no.:

Page 5 of 6

Inspection¹⁾ (Measurement after temperature balance of the samples at room temperature; SC = significant characteristic)

$K_N(N_1/N_2)$	(V)	M3011/6	Transformation ratio ($I_p=3*1000A$, 40-80 Hz)	1 : 5000 \pm 0.4	%
I_0	(V)	M3226	Offset current	< 0.1	mA
$V_{P,eff}$	(V)	M3014	Test voltage, rms, 1s Pin 1 - 4 to Primary	2.2	kV (SC)
V_e	(AQL 1/S4)		Partial discharge voltage acc. M3024 (RMS) with V_{vor} (RMS)	1500 1875	V V

Type Testing (Pin 1 - 4 to primary)

Designed according standard EN 61800 with insulation material group 1

V_W		HV transient test according (to M3064) (1,2 μs / 50 μs -wave form)		12	kV
V_d		Testing voltage acc. M3014 (RMS)	(5 s)	6	kV
V_e		Partial discharge voltage acc. M3024 (RMS) with V_{vor} (RMS)		1500 1875	V V

Applicable documents

Constructed and manufactured and tested in accordance with EN 61800.

Further standards: UL 508 ; file E317483, category NMTR2 / NMTR8

Hrsg.: KB-E
editor

Bearb: Ockajak
designer

KB-PM: KRe.
check

freig.: HS
released

Weitergabe sowie Vervielfältigung dieser Unterlage, Verwertung und Mitteilung ihres Inhalts nicht gestattet, soweit nicht ausdrücklich zugestanden. Zuwiderhandlungen verpflichten zu Schadenersatz. Alle Rechte für den Fall der Patenterteilung oder GM-Eintragung vorbehalten

Copying of this document, disclosing it to third parties or using the contents there for any purposes without express written authorization by use illegally forbidden. Any offenders are liable to pay all relevant damages.

K-No.: 26333

1000 A Current Sensor for ±15V- Supply Voltage

Date: 10.04.2014

for electric current measurement:
DC, AC, pulsed, mixed ..., with a galvanic isolation between
primary circuit (high power) and secondary circuit (electronic circuit)

Customer: Standard Type

Customer part no.:

Page 6 of 6

Explanation of several of the terms used in the tablets (in alphabetical order)

I_{0H} : Zero variation after overloading with a DC of tenfold the rated value ($R_M = R_{MN}$)

I_{0t} : Long term drift of I_o after 100 temperature cycles in the range -40 bis 85 °C.

t_r : Response time, measured as delay time at $I_P = 0,8 \cdot I_{Pmax}$ between a rectangular current and the output current.

$\Delta t (I_{Pmax})$: Delay time between I_{Pmax} and the output current i_a with a primary current rise of $di_1/dt = 1200 A/\mu s$.

U_{PD} Rated discharge voltage (recurring peak voltage separated by the insulation) proved with a sinusoidal voltage V_e
 $U_{PD} = \sqrt{2} \cdot V_e / 1,5$

V_{vor} Defined voltage is the RMS value of a sinusoidal voltage with peak value of $1,875 \cdot U_{PD}$ required for partial discharge test in IEC 61800-5-1

$$V_{vor} = 1,875 \cdot U_{PD} / \sqrt{2}$$

V_{sys} System voltage RMS value of rated voltage according to IEC 61800-5-1

V_{work} Working voltage voltage according to IEC 61800-5-1 which occurs by design in a circuit or across insulation

$X_{ges}(I_{PN})$: The sum of all possible errors over the temperature range by measuring a current I_{PN} :

$$X_{ges} = 100 \cdot \left| \frac{I_S(I_{PN})}{K_N \cdot I_{PN}} - 1 \right|$$

X: Permissible measurement error in the final inspection at RT, defined by

$$X = 100 \cdot \left| \frac{I_{SB}}{I_{SN}} - 1 \right|$$

where I_{SB} is the output DC value of an input DC current of the same magnitude as the (positive) rated current ($I_o = 0$)

X_{Ti} : Temperature drift of the rated value orientated output term. I_{SN} (cf. Notes on F_i) in a specified temperature range, obtained by:

$$X_{Ti} = 100 \cdot \left| \frac{I_{SB}(T_{A2}) - I_{SB}(T_{A1})}{I_{SN}} \right|$$

ε_L : Linearity fault defined by $\varepsilon_L = 100 \cdot \left| \frac{I_P}{I_{PN}} - \frac{I_{Sx}}{I_{SN}} \right|$

Where I_P is any input DC and I_{Sx} the corresponding output term. I_{SN} : see notes of F_i ($I_o = 0$).

Hrsg.: KB-E
editor

Bearb.: Ockajak
designer

KB-PM: KRe.
check

freig.: HS
released