



# DIO3222B

## Low-Power, USB2.0 High-Speed Switch

### Features

- Over-Voltage Tolerance (OVT)
- Voltage Operation: 2.7V to 5.5V
- Low On Resistance: 3.6Ω typ at 3.0Vcc
- High Off-Isolation
- Low Crosstalk
- Low Con: 5pF
- Low power consumption
- Wide -3dB Bandwidth
- Low Distortion
- Green Packaged: DQFN10
- 2KV CDM ESD Rating;  
8kV HBM ESD Rating

### Descriptions

The DIO3222B is a low power, dual SPDT 2-port high-speed analog switch. It handles bi-directional signal flow and is optimized for switching a high-speed (480Mbps) source.

DIO3222B has high channel-to-channel noise isolation and low bit-to-bit skew which allows it to pass high-speed differential signals with good signal integrity. Each switch offers little or no attenuation of the high-speed signals at the outputs.

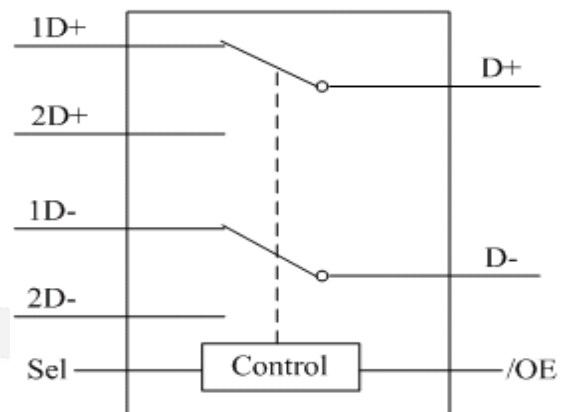
The DIO3222B contains special circuitry on the D+/D- pins, which can tolerate up to 5.25V when the USB devices are either powered off or powered on.

DIO3222B is available in Green package: DQFN-10

### Applications

- Cell-Phone/PDA
- MP3/MP4/PMP
- Portable Instrumentation
- Battery Powered Communications
- Computer Peripherals

### Block Diagram



### Ordering Information

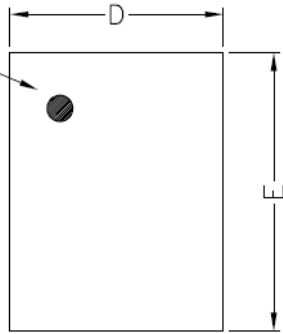
Order Part Number	Top Marking		T <sub>A</sub>	Package	
DIO3222BLP10	YWGZ	Green	-40 to +85°C	DQFN-10	Tape & Reel, 3000

# DIO3222B

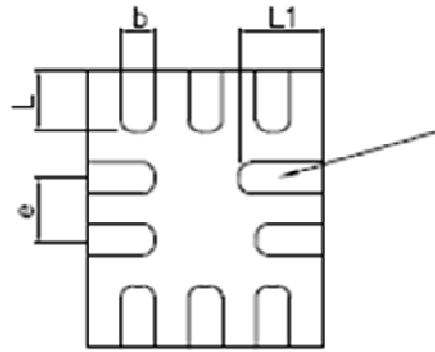
Low-Power, USB2.0 High-Speed Switch

## Physical Dimensions: DQFN-10

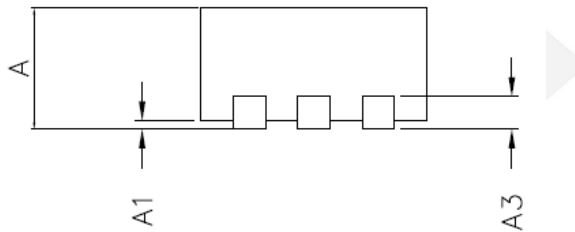
PIN 1 DOT  
BY MARKING



TOP VIEW



BOTTOM VIEW



COMMON DIMENSIONS(MM)			
PKG.	UT:ULTRA THIN		
REF.	MIN.	NOM	MAX
A	0.5	0.55	0.6
A1	0		0.05
A3		0.15REF.	
D	1.35	1.4	1.45
E	1.75	1.8	1.85
b	0.15	0.2	0.25
L	0.3	0.4	0.5
L1	0.4	0.5	0.6
e		0.4BSC	

## CONTACT US

**D**ioo is a professional design and sales corporation for high-quality and performance analog semiconductors. The company focuses on industry markets, such as, cell phone, handheld products, laptop, and medical equipments and so on. Dioo's product families include analog signal processing and amplifying, LED drivers and charger IC. Go to <http://www.dioo.com> for a complete list of Dioo product families.

For additional product information, or full datasheet, please contact with our Sales Department or Representatives.

