

PRODUCT DATA DRAWING

REVISION HISTORY			
REV	DESCRIPTION	DATE	APPROVED
-	REL. DCN 35333	09/07	STW

MATERIAL:

MALE BODY & SLEEVES: STAINLESS STEEL PER AMS-5640, ALLOY UNS S30300, TYPE 1

FEMALE BODY, ANTI-ROCK RING & CONTACTS: BERYLLIUM COPPER PER ASTM B196, ALLOY No. UNS C17300, TD04

INSULATORS: PTFE PER ASTM D1710, TYPE I, GRADE 1, CLASS B

RESISTOR ELEMENT: ALUMINUM NITRIDE SUBSTRATE WITH TANTALUM NITRIDE RESISTOR

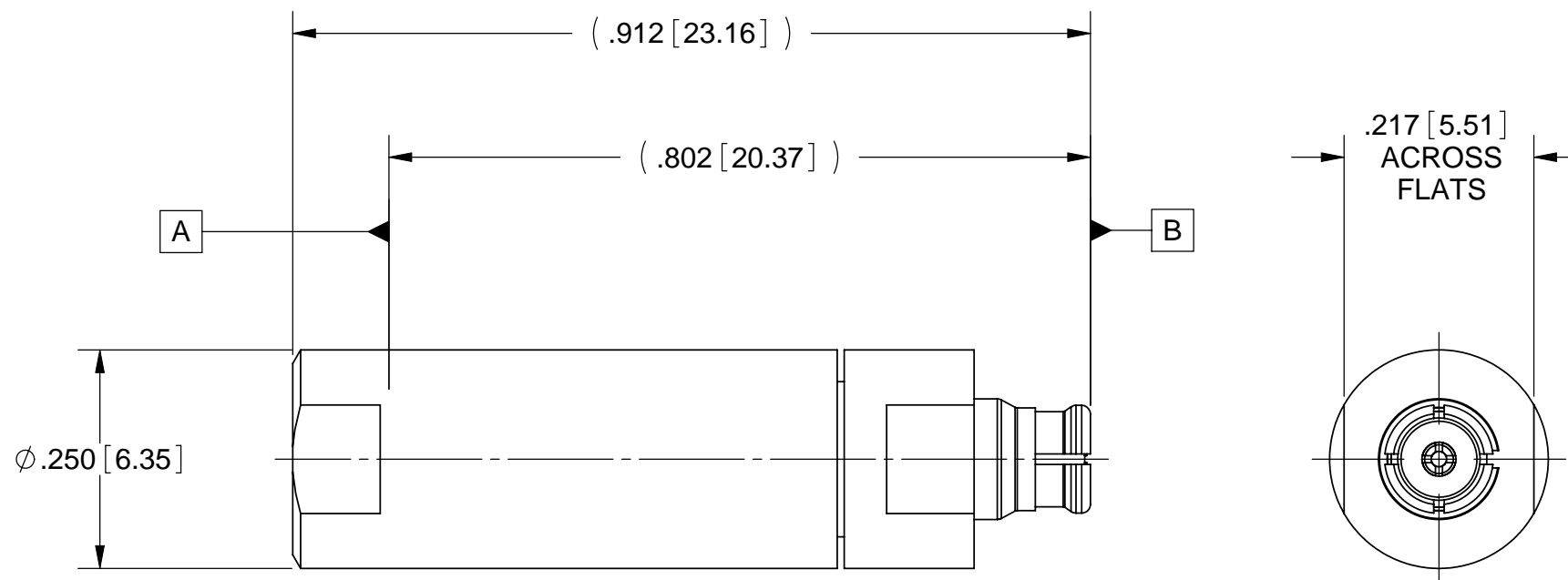
FINISH:

MALE BODY & SLEEVES: PASSIVATED PER AMS-2700, TYPE 2

FEMALE BODY, ANTI ROCK RING & CONTACTS: GOLD PER ASTM B488, TYPE II, CODE C, CLASS 1.27; OVER NICKEL PER AMS-QQ-N-290, CLASS 1, .00005" MIN.

PERFORMANCE:

IMPEDANCE: 50 OHMS
 FREQ. RANGE: DC TO 18.0 GHz
 VSWR: 1.20:1 DC TO 4.0 GHz
 1.35:1 4.0 TO 12.4 GHz
 1.50:1 12.4 TO 18.0 GHz



6308-XXX DASH #	DC-18.0 GHz ATTEN. Db	6308-XXX DASH #	DC-18.0 GHz ATTEN. Db
-005	0.5 dB ± .4	-105	10.5 dB ± .5
-010	1.0 dB ± .4	-110	11.0 dB ± .6
-015	1.5 dB ± .4	-115	11.5 dB ± .6
-020	2.0 dB ± .4	-120	12.0 dB ± .6
-025	2.5 dB ± .3	-125	12.5 dB ± .6
-030	3.0 dB ± .3	-130	13.0 dB ± .7
-035	3.5 dB ± .3	-135	13.5 dB ± .7
-040	4.0 dB ± .3	-140	14.0 dB ± .7
-045	4.5 dB ± .3	-145	14.5 dB ± .7
-050	5.0 dB ± .3	-150	15.0 dB ± .8
-055	5.5 dB ± .3	-155	15.5 dB ± .8
-060	6.0 dB ± .3	-160	16.0 dB ± .8
-065	6.5 dB ± .3	-165	16.5 dB ± .8
-070	7.0 dB ± .4	-170	17.0 dB ± .9
-075	7.5 dB ± .4	-175	17.5 dB ± .9
-080	8.0 dB ± .4	-180	18.0 dB ± .9
-085	8.5 dB ± .4	-185	18.5 dB ± .9
-090	9.0 dB ± .5	-190	19.0 dB ± 1.0
-095	9.5 dB ± .5	-195	19.5 dB ± 1.0
-100	10.0 dB ± .5	-200	20.0 dB ± 1.0

MATERIAL: SEE NOTES	DIMENSIONS ARE IN INCHES TOLERANCES: FRACTIONAL: ±1/64 ANGULAR: X° ±1'0" X'X' ±15'	UNLESS OTHERWISE SPECIFIED 1) ALL DIMENSIONS ARE IN INCHES (MILLIMETERS) 2) ALL DIMENSIONS ARE AFTER PLATING. 3) BREAK CORNERS & EDGES .005 R. MAX. 4) CHAM. 1ST & LAST THREADS. 5) SURFACE ROUGHNESS 63-MIL-STD-10. 6) DIA.'S ON COMMON CENTERS TO BE CONCENTRIC WITHIN .005 T.I.R. 7) REMOVE ALL BURRS	SV Microwave, Inc. 2400 Centrepark West Drive, Suite 100 West Palm Beach, FL 33409 TITLE: SMP FULL DETENT MALE TO SMP FEMALE ATTENUATOR DC TO 18 GHz
FINISH: SEE NOTES	DECIMAL: .X ±.030 .XX ±.010 .XXX ±.005	INTERPRET DIMENSIONS AND TOLERANCES PER ASME Y14.5M - 1994	
SURFACE AREA: N/A	THIRD ANGLE PROJECTION	DRAWN: ADK 09/04/07	SIZE: B CAGE CODE: 95077 DWG. NO.: SF0912-6308-XXX
PROPRIETARY THE INFORMATION CONTAINED IN THIS DRAWING IS THE SOLE PROPERTY OF SV MICROWAVE, INC. ANY REPRODUCTION IN PART OR AS A WHOLE WITHOUT THE WRITTEN PERMISSION OF SV MICROWAVE, INC IS PROHIBITED.		CHECKED: STW 09/05/07	SCALE: 5:1
		APPROVED: STW 09/05/07	SHEET 1 OF 1