

Mounting Clips for T-1 (3mm) & T-1 3/4 (5mm) LEDs

Description and Features

Series 4303MC

•This attractive and economical mounting clip installs quickly and provides secure mounting for T-1 high dome LEDs such as 4303F Series.

Material: Black polypropylene

Mounting Hole: \varnothing .180 min. in panels up to .130 thick.

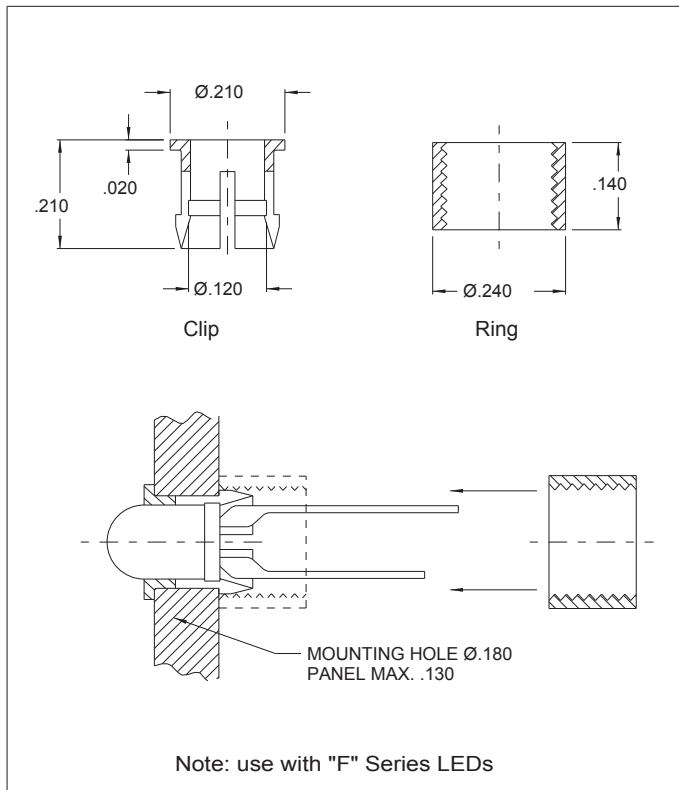
Series 4304MC

•This attractive and economical mounting clip installs quickly and provides secure mounting for T-1 3/4 high dome LEDs such as 4301H, 4304H, 4305H or 4308H Series.

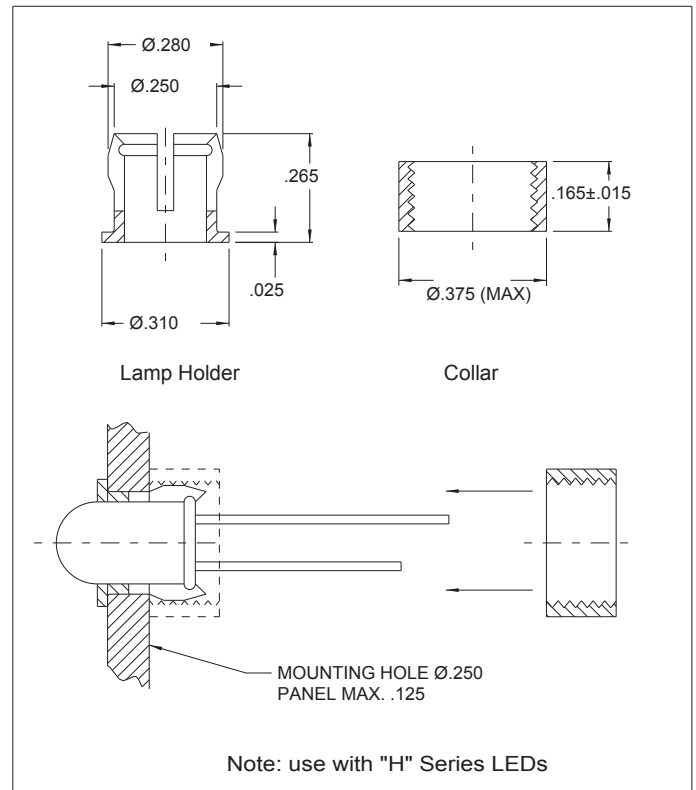
Material: Black polypropylene

Mounting Hole: \varnothing .250 min. in panels up to .125 thick.

Outline Dimensions



Outline Dimensions



All dimensions in inches.