

RAFIX 16 F - Signal indicator, flush lens

1.65.126.301/1400



General information

Form of lens	flat lens
Color of lens	transparent yellow
Form of collar	square
Form of collar	square
Color of collar	black

Dimensions

Collar dimensions	24.9 x 24.9 mm
Overall height	1.7 mm
Mounting depth with contact block	50 mm
Key grid	30 x 30 mm
Mounting hole	23.1 x 23.1 mm

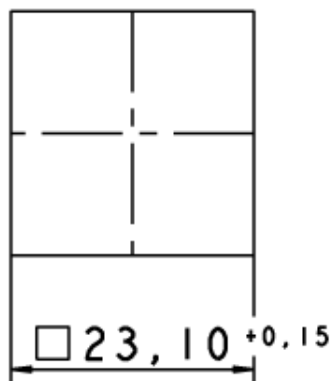
Mechanical design

Mounting	ring nut
Contact function	-
Illumination	yes

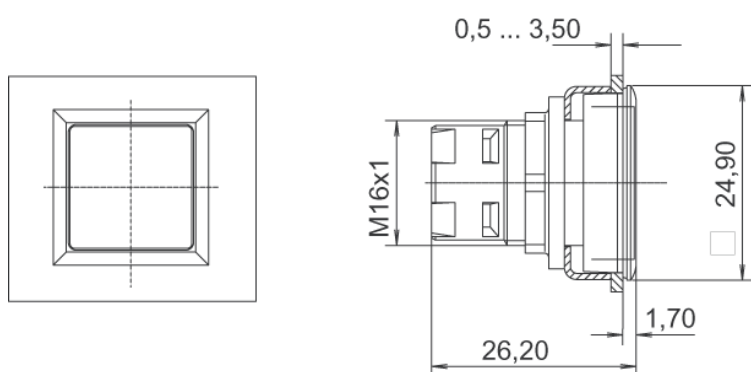
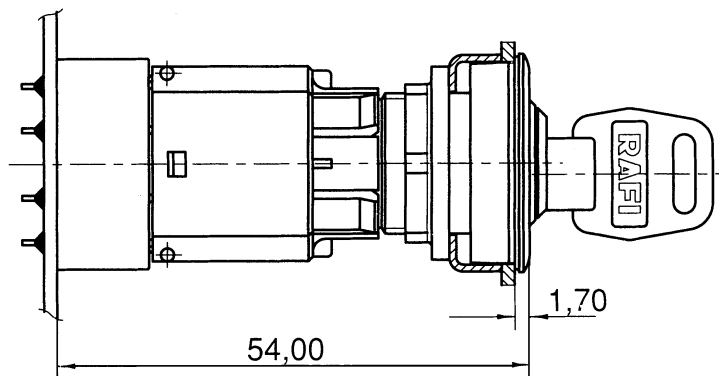
Other specifications

Operating life (operations)	- cycle
Degree of protection from front side	IP65 (DIN EN 60529)
Operation temperature min.	-25 °C
Ambient temp. operating max. without lamp / LED	- °C
Ambient temp. operating max. with lamp /LED	+55 °C
Storage temperature min.	-40 °C
Storage temperature max.	+85 °C
Environmental resistance	acc. to IEC 60068-2-14, -30, -33 and -78
ROHS compliant	yes
REACH compliant	yes

Panel cut-out



with PCB plug-in socket



operating element and contact block

