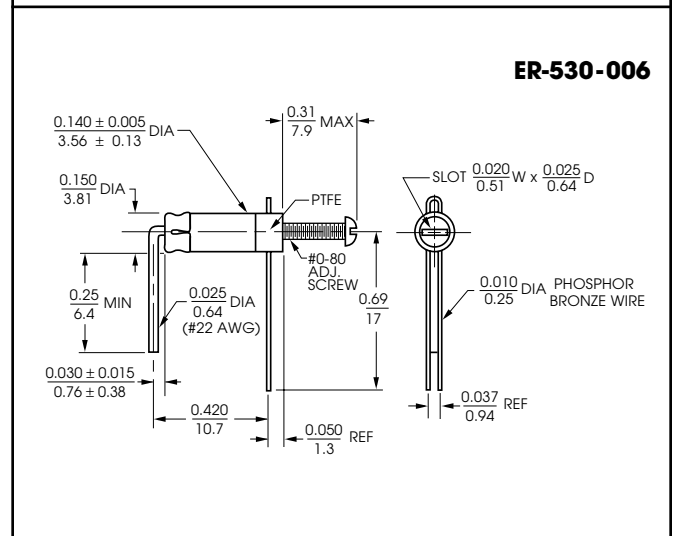
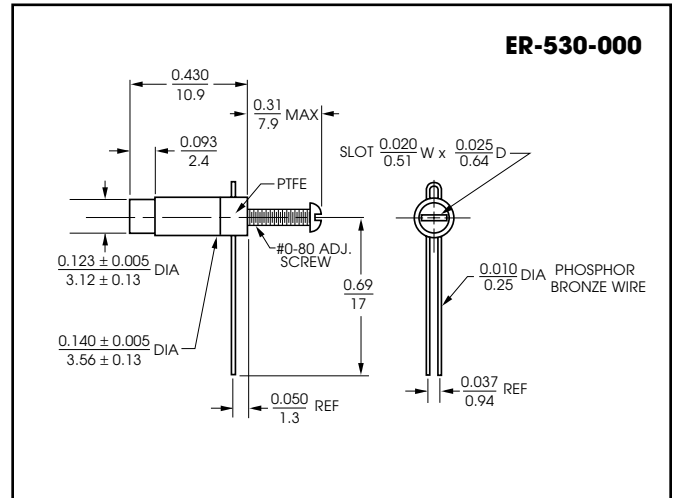
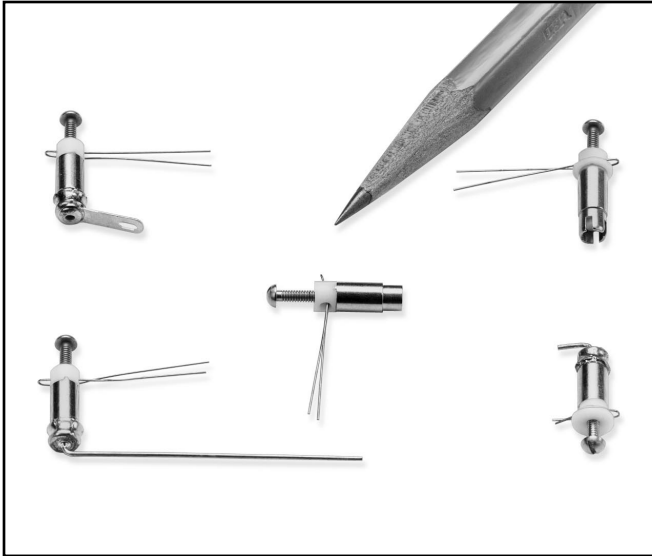


MULTITURN PTFE DIELECTRIC TRIMMER CAPACITORS



FEATURES

These trimmer capacitors combine the outstanding electrical properties of PTFE with nonferrous metal parts to provide:

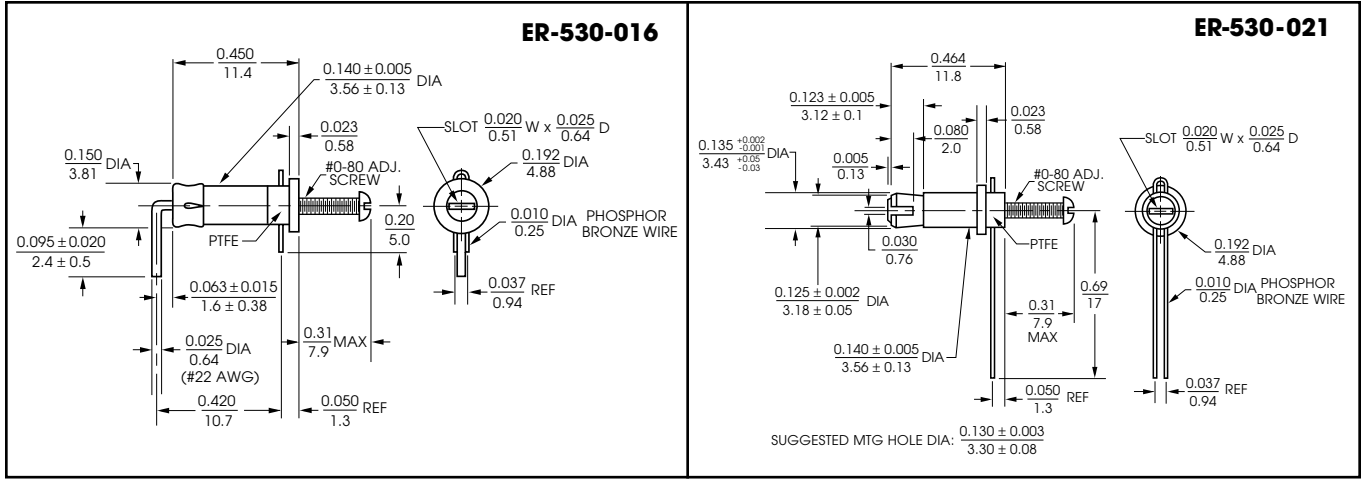
- High Q
- High DWV
- High IR
- Excellent Conductivity
- Corrosion Resistance
- Low ΔC /Turn Ratio
- Excellent Stability

SPECIFICATIONS

Capacitance Range	0.25 to 1.5 pF
Rated Voltage at 25°C:	
ER-530-000, -006, -016	1250 VDC
ER-530-021	1700 VDC
Dielectric Withstanding Voltage at 25°C:	
ER-530-000, -006, -016	2500 VDC
ER-530-021	3400 VDC
Operating Temperature Range	-55° to +125°C
Q min at 1 MHz	2000
Insulation Resistance	1 teraohm at 25°C
TCC	50 ± 50 ppm/°C
Torque	0.2 to 3.0 oz-in (14.4 to 216 g-cm)

All dimensions are in / mm.

Tolerance is ± 0.005/0.13 for dimensions of 0.110/2.79 or less, and ± 0.031/0.79 for dimensions greater than 0.110/2.79, unless otherwise specified.



All dimensions are in /mm.

Tolerance is $\pm 0.005/0.13$ for dimensions of $0.110/2.79$ or less, and $\pm 0.031/0.79$ for dimensions greater than $0.110/2.79$, unless otherwise specified.

