

UG234: BGM121 Blue Gecko SiP Module Wireless Starter Kit User's Guide

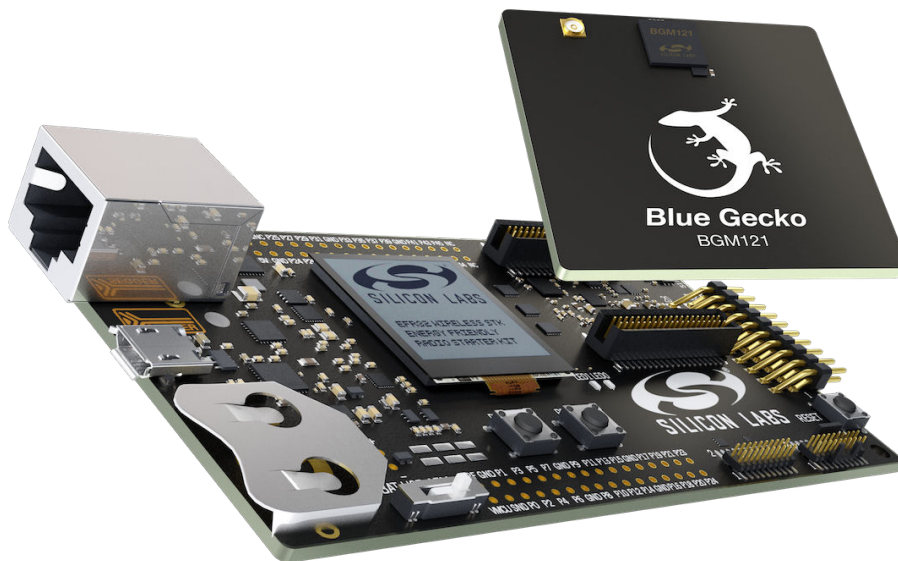


A Wireless Starter Kit with the BRD4302A Radio Board is an excellent starting point to get familiar with the BGM121 Blue Gecko Module. It also provides the necessary tools for developing a Silicon Labs wireless application.

BRD4302A contains the BGM121 SiP Module, and it is a plug-in board for the Wireless Starter Kit Mainboard.

The Wireless Starter Kit Mainboard contains an on-board J-Link debugger with a Packet Trace Interface and a virtual COM port, enabling application development and debugging the attached radio board as well as external hardware. The mainboard also contains sensors and peripherals for easy demonstration of some of the BGM121's many capabilities.

This document describes how to use the BRD4302A Radio Board together with a Wireless Starter Kit Mainboard.



BRD4302A RADIO BOARD FEATURES

- BGM121 Blue Gecko SiP Module with 256 kB Flash and 32 kB RAM. Fully integrated chip antenna, RF matching network, crystals and decoupling (BGM121A256V1).
- 8 Mbit low-power serial flash for over-the-air upgrades.

WIRELESS STK MAINBOARD FEATURES

- Advanced Energy Monitor
- Packet Trace Interface
- Virtual COM Port
- SEGGER J-Link on-board debugger
- External device debugging
- Ethernet and USB connectivity
- Silicon Labs Si7021 Relative Humidity and Temperature sensor
- Low Power 128x128 pixel Memory LCD
- User LEDs / Pushbuttons
- 20-pin 2.54 mm EXP header
- Breakout pads for SiP Module I/O
- CR2032 coin cell battery support

EXPANSION BOARD FEATURES

- Accelerometer
- Buttons and LEDs
- Joystick

SOFTWARE SUPPORT

- Simplicity Studio™
- Energy Profiler
- Network Analyzer
- iOS and Android applications

ORDERING INFORMATION

- SLWSTK6101C
- SLWRB4302A

Table of Contents

| | |
|---|-----------|
| 1. Introduction | 4 |
| 1.1 Radio Boards | 4 |
| 1.2 Ordering Information | 4 |
| 1.3 Getting Started | 4 |
| 2. Hardware Overview | 5 |
| 2.1 Hardware Layout | 5 |
| 2.2 Block Diagram | 6 |
| 3. Connectors | 7 |
| 3.1 J-Link USB Connector | 7 |
| 3.2 Ethernet Connector | 7 |
| 3.3 Breakout Pads | 8 |
| 3.4 EXP Header | 9 |
| 3.4.1 EXP Header Pinout | 10 |
| 3.5 Debug Connector | 11 |
| 3.6 Simplicity Connector | 12 |
| 3.7 Debug Adapter | 13 |
| 4. Power Supply and Reset | 14 |
| 4.1 Radio Board Power Selection | 14 |
| 4.2 Board Controller Power | 15 |
| 4.3 BGM121 Reset | 15 |
| 5. Peripherals | 16 |
| 5.1 Push Buttons and LEDs | 16 |
| 5.2 Memory LCD-TFT Display | 17 |
| 5.3 Serial Flash | 18 |
| 5.4 Si7021 Relative Humidity and Temperature Sensor | 19 |
| 5.5 Virtual COM Port | 20 |
| 5.5.1 Host Interfaces | 21 |
| 5.5.2 Serial Configuration | 21 |
| 5.5.3 Hardware Handshake | 22 |
| 6. Expansion Board | 23 |
| 6.1 Accelerometer | 23 |
| 6.2 Push Buttons and LEDs | 23 |
| 6.3 Joystick | 24 |
| 7. Board Controller | 25 |
| 7.1 Admin Console | 25 |
| 7.1.1 Connecting | 25 |

| | | |
|------------|--|-----------|
| 7.1.2 | Built-in Help | .25 |
| 7.1.3 | Command Examples | .26 |
| 7.2 | Virtual UART | .26 |
| 8. | Advanced Energy Monitor | 27 |
| 8.1 | Introduction. | .27 |
| 8.2 | Theory of Operation | .27 |
| 8.3 | AEM Accuracy and Performance | .28 |
| 8.4 | Usage | .28 |
| 9. | On-Board Debugger | 29 |
| 9.1 | Host Interfaces | .29 |
| 9.1.1 | USB Interface | .29 |
| 9.1.2 | Ethernet Interface | .29 |
| 9.1.3 | Serial Number Identification | .29 |
| 9.2 | Debug Modes | .30 |
| 9.3 | Debugging During Battery Operation | .31 |
| 10. | Kit Configuration and Upgrades | 32 |
| 10.1 | Firmware Upgrades | .32 |
| 11. | Schematics, Assembly Drawings, and BOM | 33 |
| 12. | Mainboard Connectors | 34 |
| 12.1 | Mainboard Connector Pin Associations | .34 |
| 13. | Mechanical Details | 35 |
| 14. | Radio Board Revision History and Errata | 36 |
| 14.1 | BRD4302A Revision History | .36 |
| 14.2 | BRD4302A Errata | .36 |
| 15. | Kit Revision History | 37 |
| 15.1 | SLWSTK6101C Revision history | .37 |
| 15.2 | SLWRB4302A Revision history. | .37 |
| 16. | Document Revision History | 38 |

1. Introduction

The BGM121 Blue Gecko SiP Module itself is featured on a Radio Board that forms a complete reference design, including the RF section and other components.

The Radio Board plugs directly into a Wireless Starter Kit Mainboard. The Mainboard features several tools for easy evaluation and development of wireless applications. An on-board J-Link debugger enables programming and debugging on the target device over USB or Ethernet. The Advanced Energy Monitor (AEM) offers real-time current and voltage monitoring. A virtual COM port interface (VCOM) provides an easy-to-use serial port connection over USB or Ethernet. The Packet Trace Interface (PTI) offers invaluable debug information about transmitted and received packets in wireless links.

All debug functionality, including AEM, VCOM and PTI, can also be used towards external target hardware instead of the attached radio board.

To further enhance its usability, the Mainboard contains sensors and peripherals demonstrating some of the many capabilities of the BGM121.

The Wireless Starter Kit for BGM121 includes an EXP board (BRD8006A) that can be connected to the Wireless STK mainboard EXP header. The EXP board contains additional peripherals such as an accelerometer, buttons, LEDs and a joystick.

1.1 Radio Boards

A Wireless Starter Kit consists of one or more mainboards and radio boards that plug into the mainboard. Different radio boards are available, each featuring different Silicon Labs devices with different operating frequency bands.

Since the mainboard is designed to work with all different radio boards, the actual pin mapping from a device pin to a mainboard feature is done on the radio board. This means that each radio board has its own pin mapping to the Wireless Starter Kit features such as buttons, LEDs, the display, the EXP header and the breakout pads. Because this pin mapping is different for every radio board, it is important that the correct document be consulted which shows the kit features *in context* of the radio board plugged in.

This document explains how to use the Wireless Starter Kit when the BGM121 Blue Gecko SiP Module Radio Board (BRD4302A) is combined with a Wireless STK Mainboard. The combination of these two boards is hereby referred to as a Wireless Starter Kit (Wireless STK).

1.2 Ordering Information

BRD4302A can be obtained as part of SLWSTK6101C Blue Gecko Module Wireless Starter Kit or as a separate radio board, SLWRB4302A.

Table 1.1. Ordering Information

| Part Number | Description | Contents |
|-------------|--|---|
| SLWSTK6101C | Blue Gecko Module Wireless Starter Kit | 1x BRD4001A Wireless Starter Kit Mainboard 1x BRD4300A BGM111 Blue Gecko Module Radio Board 1x BRD4302A BGM121 Blue Gecko SiP Module Radio Board 1x BRD8006A Blue Gecko Module Kit Add-on Board 1x USB Type A to Mini-B cable |
| SLWRB4302A | BGM121 Blue Gecko SiP Module Radio Board | 1x BRD4302A BGM121 Blue Gecko SiP Module Radio Board |

1.3 Getting Started

Detailed instructions for how to get started can be found on the Silicon Labs web pages:

<http://www.silabs.com/bluetooth-getstarted>

2. Hardware Overview

2.1 Hardware Layout

The layout of the BGM121 Blue Gecko SiP Module Wireless Starter Kit is shown in the figure below.

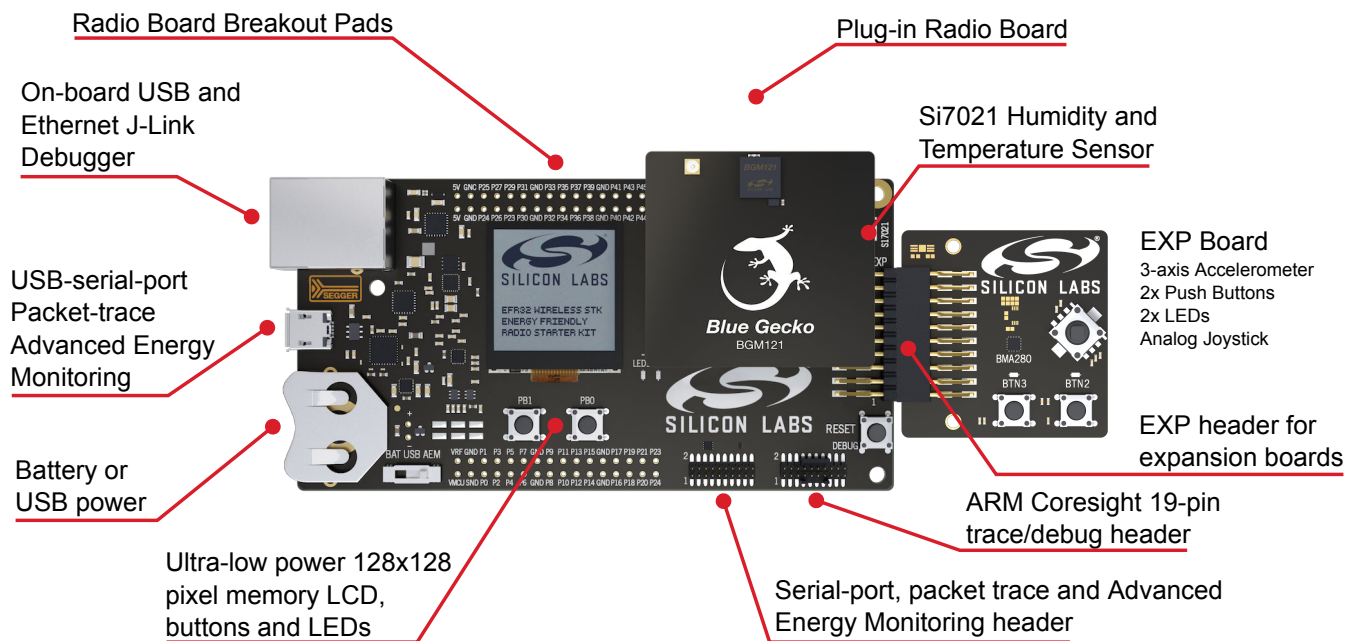


Figure 2.1. Kit Hardware Layout

2.2 Block Diagram

An overview of the BGM121 Blue Gecko SiP Module Wireless Starter Kit is shown in the figure below.

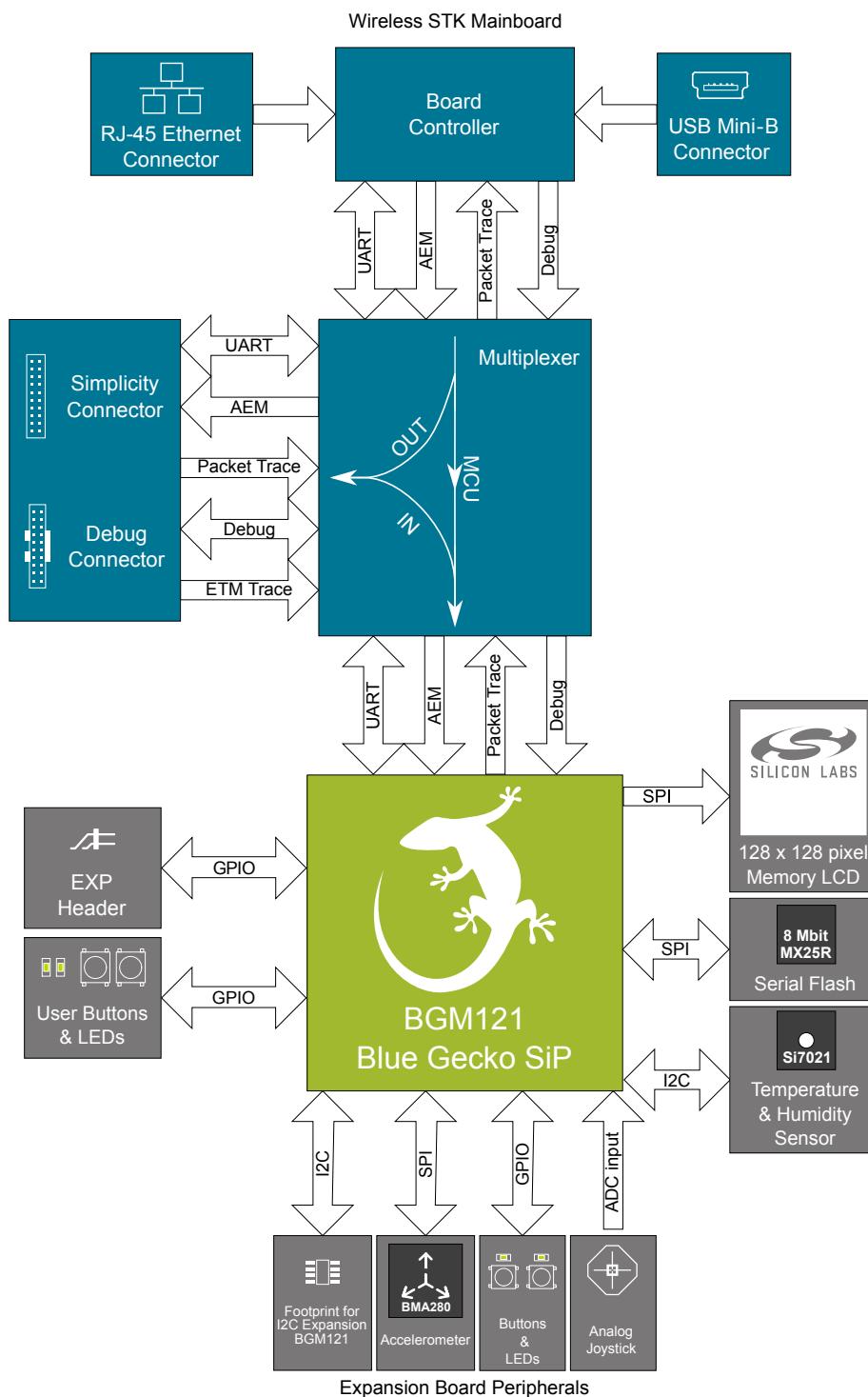


Figure 2.2. Kit Block Diagram

3. Connectors

This chapter gives you an overview of the Wireless STK Mainboard connectivity. The placement of the connectors are shown in the figure below.

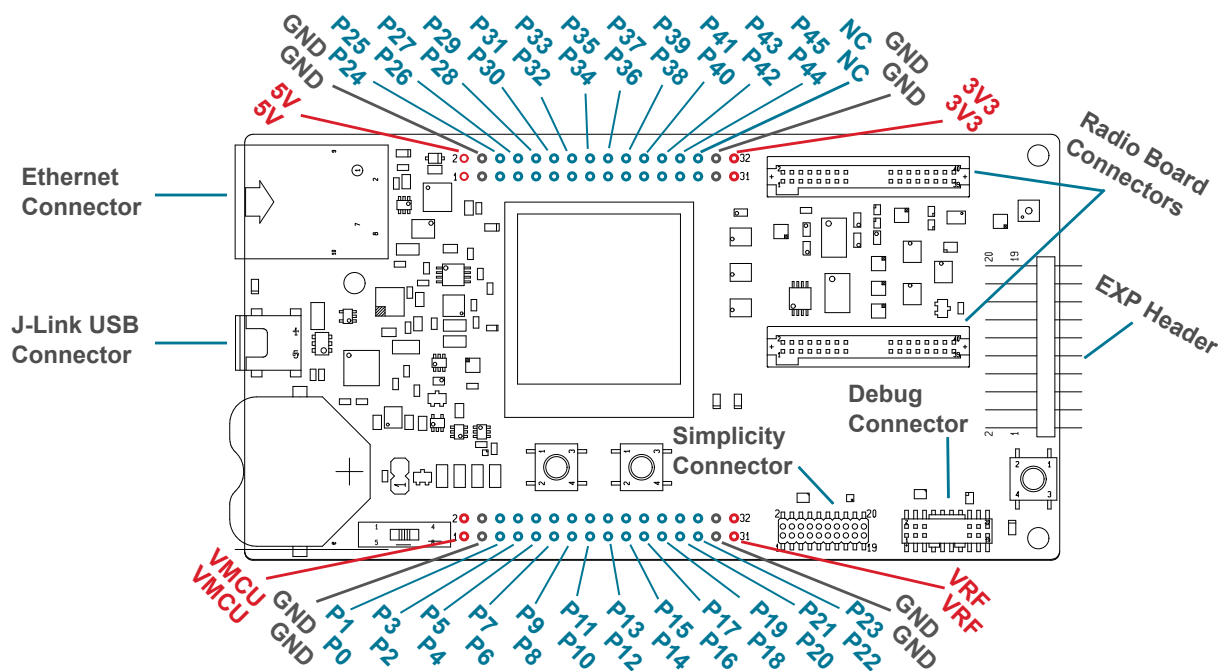


Figure 3.1. Mainboard Connector Layout

3.1 J-Link USB Connector

The J-Link USB connector is situated on the left side of the Wireless Starter Kit Mainboard. Most of the kit's development features are supported through this USB interface when connected to a host computer, including:

- Debugging and programming of the target device using the on-board J-Link debugger
- Communication with the target device over the virtual COM port using USB-CDC
- Accurate current profiling using the AEM

In addition to providing access to development features of the kit, this USB connector is also the main power source for the kit. USB 5V from this connector powers the board controller and the AEM. It is recommended that the USB host be able to supply at least 500 mA to this connector, although the actual current required will vary depending on the application.

3.2 Ethernet Connector

The Ethernet connector provides access to all of the Wireless Starter Kit's development features over TCP/IP. The Ethernet interface provides some additional development features to the user. Supported features include:

- Debugging and programming of the target device using the on-board J-Link debugger
- Communication with the target device over the virtual COM port using TCP/IP socket 4901
- "VUART" communication with the target device over the debug SWD/SWO interface using TCP/IP socket 4900
- Accurate current profiling using the AEM
- Real-time radio packet and network analysis using the Packet Trace Interface
- Access to advanced configuration options using the admin console over TCP/IP socket 4902

Please note that the Wireless Starter Kit cannot be powered using the Ethernet connector, so in order to use this interface, the USB connector must be used to provide power to the board.

3.3 Breakout Pads

Most pins of the BGM121 are routed from the radio board to breakout pads at the top and bottom edges of the Wireless STK Main-board. A 2.54 mm pitch pin header can be soldered on for easy access to the pins. The figure below shows you how the pins of the BGM121 maps to the pin numbers printed on the breakout pads. To see the available functions on each, refer to the data sheet for BGM121A256V1.

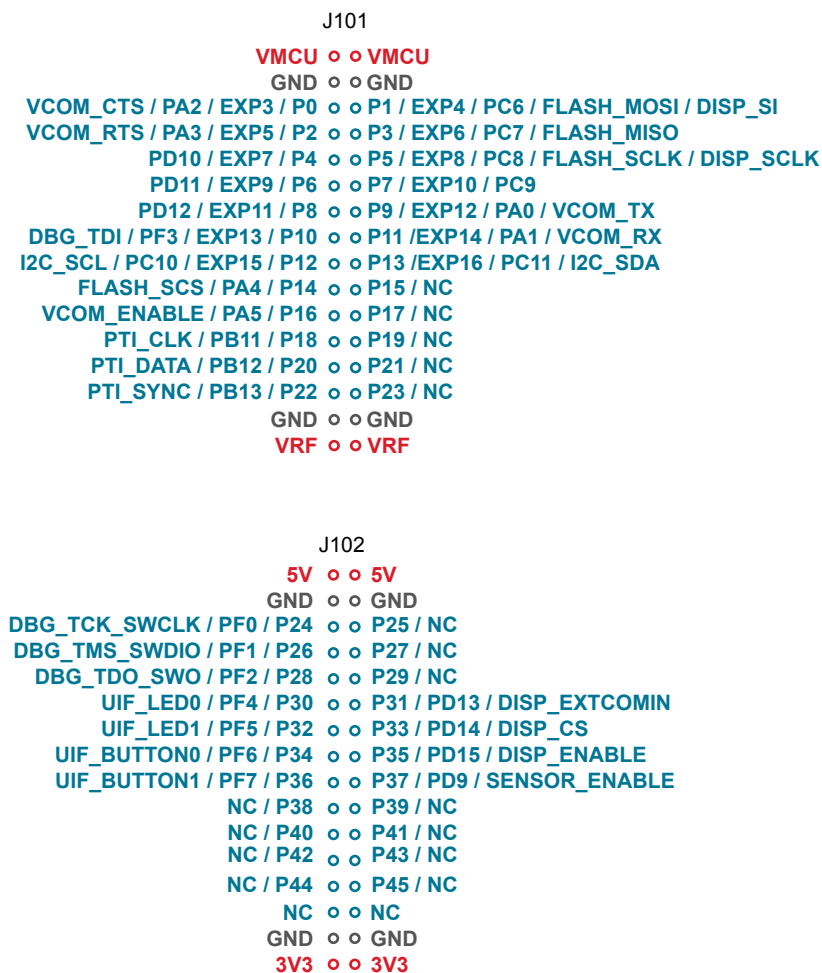


Figure 3.2. Breakout Pad Pin Mapping

3.4 EXP Header

The EXP header is an angled 20-pin expansion header provided to allow connection of peripherals or plugin boards to the kit. It is located on the right-hand side of the mainboard and it contains a number of I/O pins that can be used with most of the BGM121 Blue Gecko's features. Additionally, the VMCU, 3V3, and 5V power rails are also exported.

The connector follows a standard which ensures that commonly used peripherals such as an SPI, a UART, and an I2C bus are available on fixed locations in the connector. The rest of the pins are used for general purpose IO. This allows the definition of expansion boards (EXP boards) that can plug into a number of different Silicon Labs Starter Kits.

The figure below shows the pin assignment of the EXP header. Because of limitations in the number of available GPIO pins, some of the EXP header pins are shared with kit features.

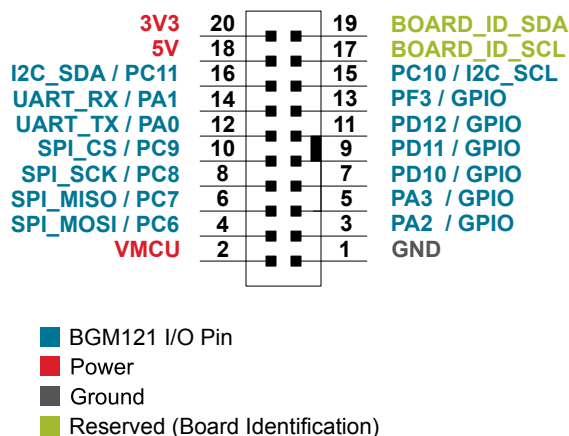


Figure 3.3. EXP Header

3.4.1 EXP Header Pinout

The pin-routing on the BGM121 is very flexible, so most peripherals can be routed to any pin. However, many pins are shared between the EXP header and other functions on the Wireless STK Mainboard. The table below includes an overview of the mainboard features that share pins with the EXP header.

Table 3.1. EXP Header Pinout

| Pin | Connection | EXP Header Function | Shared Feature | Peripheral Mapping |
|-----|--------------|--|----------------|--------------------|
| 20 | 3V3 | Board controller supply | | |
| 18 | 5V | Board USB voltage | | |
| 16 | PC11 | I2C_SDA | SENSOR_I2C_SDA | I2C0_SDA #16 |
| 14 | PA1 | UART_RX | VCOM_RX | USART0_RX #0 |
| 12 | PA0 | UART_TX | VCOM_TX | USART0_TX #0 |
| 10 | PC9 | SPI_CS | | USART1_CS #11 |
| 8 | PC8 | SPI_SCLK | DISP_SCLK | USART1_CLK #11 |
| 6 | PC7 | SPI_MISO | | USART1_RX #11 |
| 4 | PC6 | SPI_MOSI | DISP_MOSI | USART1_TX #11 |
| 2 | VMCU | BGM121 voltage domain, included in AEM measurements. | | |
| 19 | BOARD_ID_SDA | Connected to Board Controller for identification of add-on boards. | | |
| 17 | BOARD_ID_SCL | Connected to Board Controller for identification of add-on boards. | | |
| 15 | PC10 | I2C_SCL | SENSOR_I2C_SCL | I2C0_SCL #14 |
| 13 | PF3 | GPIO | DBG_TDI | |
| 11 | PB11 | GPIO | PTI_CLK | |
| 9 | PF5 | GPIO | | |
| 7 | PF4 | GPIO | | |
| 5 | PA3 | UART_RTS | VCOM_RTS | USART0_CS #0 |
| 3 | PA2 | UART_CTS | VCOM_CTS | USART0_CLK #0 |
| 1 | GND | Ground | | |

Note: Pin PF3 is used for DBG_TDI in JTAG mode only. When Serial Wire Debugging is used, PF3 can be used for other purposes.

3.5 Debug Connector

The debug connector serves multiple purposes based on the "debug mode" setting which can be configured in Simplicity Studio. When the debug mode is set to "Debug IN", the debug connector can be used to connect an external debugger to the BGM121 on the radio board. When set to "Debug OUT", this connector allows the kit to be used as a debugger towards an external target. When set to "Debug MCU" (default), the connector is isolated from both the on-board debugger and the radio board target device.

Because this connector is electronically switched between the different operating modes, it can only be used when the board controller is powered (i.e. J-Link USB cable connected). If debug access to the target device is required when the board controller is unpowered, connect directly to the appropriate breakout pins.

The pinout of the connector follows that of the standard ARM Cortex Debug+ETM 19-pin connector. The pinout is described in detail below. Even though the connector has support for both JTAG and ETM Trace, it does not necessarily mean that the kit or the on-board target device supports this.

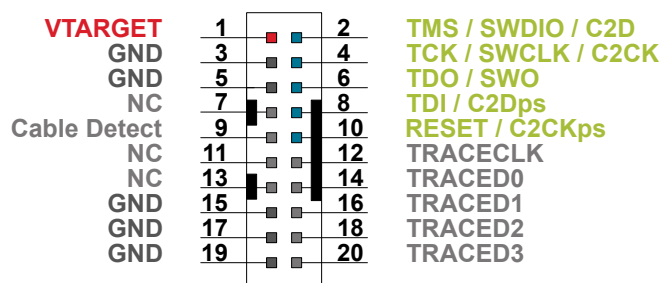


Figure 3.4. Debug Connector

Note: The pinout matches the pinout of an ARM Cortex Debug+ETM connector, but these are not fully compatible as pin 7 is physically removed from the Cortex Debug+ETM connector. Some cables have a small plug that prevent them from being used when this pin is present. If this is the case, remove the plug, or use a standard 2x10 1.27 mm straight cable instead.

Table 3.2. Debug Connector Pin Descriptions

| Pin Number(s) | Function | Description |
|------------------|--------------------|--|
| 1 | VTARGET | Target reference voltage. Used for shifting logical signal levels between target and debugger. |
| 2 | TMS / SDWIO / C2D | JTAG test mode select, Serial Wire data, or C2 data |
| 4 | TCK / SWCLK / C2CK | JTAG test clock, Serial Wire clock, or C2 clock |
| 6 | TDO/SWO | JTAG test data out or Serial Wire Output |
| 8 | TDI / C2Dps | JTAG test data in or C2D "pin sharing" function |
| 10 | RESET / C2CKps | Target device reset or C2CK "pin sharing" function |
| 12 | TRACECLK | Not connected |
| 14 | TRACED0 | Not connected |
| 16 | TRACED1 | Not connected |
| 18 | TRACED2 | Not connected |
| 20 | TRACED3 | Not connected |
| 9 | Cable detect | Connect to ground |
| 11, 13 | NC | Not connected |
| 3, 5, 15, 17, 19 | GND | Ground |

3.6 Simplicity Connector

The Simplicity Connector enables the advanced debugging features, such as the AEM, the virtual COM port and the Packet Trace Interface, to be used towards an external target. The pinout is illustrated in the figure below.

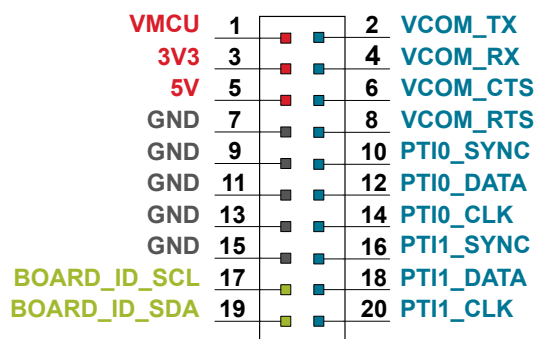


Figure 3.5. Simplicity Connector

Note: Current drawn from the VMCU voltage pin is included in the AEM measurements, while the 3V3 and 5V voltage pins are not. To monitor the current consumption of an external target with the AEM, unplug the radio board from the Wireless STK Mainboard to avoid adding the radio board current consumption to the measurements.

Table 3.3. Simplicity Connector Pin Descriptions

| Pin Number(s) | Function | Description |
|------------------|--------------|--|
| 1 | VMCU | 3.3 V power rail, monitored by the AEM |
| 3 | 3V3 | 3.3 V power rail |
| 5 | 5V | 5 V power rail |
| 2 | VCOM_TX | Virtual COM Tx |
| 4 | VCOM_RX | Virtual COM Rx |
| 6 | VCOM_CTS | Virtual COM CTS |
| 8 | VCOM_RTS | Virtual COM RTS |
| 10 | PTI0_SYNC | Packet Trace 0 Sync |
| 12 | PTI0_DATA | Packet Trace 0 Data |
| 14 | PTI0_CLK | Packet Trace 0 Clock |
| 16 | PTI1_SYNC | Packet Trace 1 Sync |
| 18 | PTI1_DATA | Packet Trace 1 Data |
| 20 | PTI1_CLK | Packet Trace 1 Clock |
| 17 | BOARD_ID_SCL | Board ID SCL |
| 19 | BOARD_ID_SDA | Board ID SDA |
| 7, 9, 11, 13, 15 | GND | Ground |

3.7 Debug Adapter

BRD8010A STK/WSTK Debug Adapter is an adapter board which plugs directly into the debug connector and the Simplicity Connector on the mainboard. It combines selected functionality from the two connectors to a smaller footprint 10-pin connector, which is more suitable for space constrained designs.

For versatility, the debug adapter features three different 10-pin debug connectors:

- Silicon Labs Mini Simplicity Connector
- ARM Cortex 10-pin Debug Connector
- Silicon Labs ISA3 Packet Trace

The ARM Cortex 10-pin Debug Connector follows the standard Cortex pinout defined by ARM and allows the Starter Kit to be used to debug hardware designs that use this connector.

The ISA3 connector follows the same pinout as the Packet Trace connector found on the Silicon Labs Ember Debug Adapter (ISA3). This allows the Starter Kit to be used to debug hardware designs that use this connector.

The Mini Simplicity Connector is designed to offer advanced debug features from the Starter Kit on a 10-pin connector:

- Serial Wire Debug (SWD) with SWO
- Packet Trace Interface (PTI)
- Virtual COM port (VCOM)
- AEM Monitored voltage rail

Note: Packet Trace is only available on Wireless STK Mainboards. MCU Starter Kits do not support Packet Trace.



Figure 3.6. Mini Simplicity Connector

Table 3.4. Mini Simplicity Connector Pin Descriptions

| Pin Number | Function | Description |
|------------|-----------|---|
| 1 | VAEM | Target voltage on the debugged application. Supplied and monitored by the AEM when power selection switch is in the "AEM" position. |
| 2 | GND | Ground |
| 3 | RST | Reset |
| 4 | VCOM_RX | Virtual COM Rx |
| 5 | VCOM_TX | Virtual COM Tx |
| 6 | SWO | Serial Wire Output |
| 7 | SWDIO | Serial Wire Data |
| 8 | SWCLK | Serial Wire Clock |
| 9 | PTI_FRAME | Packet Trace Frame Signal |
| 10 | PTI_DATA | Packet Trace Data Signal |

4. Power Supply and Reset

4.1 Radio Board Power Selection

The BGM121 on a Wireless Starter Kit can be powered by one of these sources:

- The debug USB cable
- A 3 V coin cell battery
- A USB regulator on the radio board (for devices with USB support only)

The power source for the radio board is selected with the slide switch in the lower left corner of the Wireless STK Mainboard. The figure below shows how the different power sources can be selected with the slide switch.

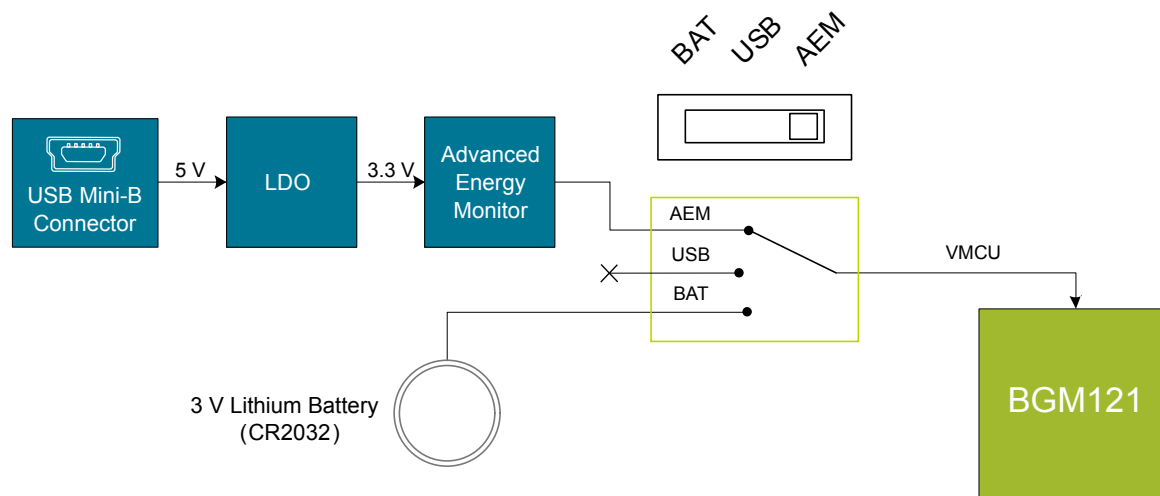


Figure 4.1. Power Switch

With the switch in the **AEM** position, a low noise 3.3 V LDO on the mainboard is used to power the radio board. This LDO is again powered from the debug USB cable. The AEM is now also connected in series, allowing accurate high speed current measurements and energy debugging/profiling.

With the switch in the **USB** position, radio boards with USB-support can be powered by a regulator on the radio board itself. BRD4302A does not contain an USB regulator, and setting the switch in the **USB** position will cause the BGM121 to be unpowered.

Finally, with the switch in the **BAT** position, a 20 mm coin cell battery in the CR2032 socket can be used to power the device. With the switch in this position no current measurements are active. This is the recommended switch position when powering the radio board with an external power source.

Note: The current sourcing capabilities of a coin cell battery might be too low to supply certain wireless applications.

Note: The AEM can only measure the current consumption of the BGM121 when the power selection switch is in the **AEM** position.

4.2 Board Controller Power

The board controller is responsible for important features such as the debugger and the AEM, and is powered exclusively through the USB port in the top left corner of the board. This part of the kit resides on a separate power domain, so a different power source can be selected for the target device while retaining debugging functionality. This power domain is also isolated to prevent current leakage from the target power domain when power to the board controller is removed.

The board controller power domain is not influenced by the position of the power switch.

The kit has been carefully designed to keep the board controller and the target power domains isolated from each other as one of them powers down. This ensures that the target BGM121 device will continue to operate in the **USB** and **BAT** modes.

4.3 BGM121 Reset

The BGM121 SiP Module can be reset by a few different sources:

- A user pressing the RESET button
- The on-board debugger pulling the #RESET pin low
- An external debugger pulling the #RESET pin low

In addition to the reset sources mentioned above, a reset to the BGM121 will also be issued during board controller boot-up. This means that removing power to the board controller (unplugging the J-Link USB cable) will not generate a reset, but plugging the cable back in will, as the board controller boots up.

5. Peripherals

The starter kit has a set of peripherals that showcase some of the features of the BGM121.

Be aware that most BGM121 I/O routed to peripherals are also routed to the breakout pads. This must be taken into consideration when using the breakout pads for your application.

5.1 Push Buttons and LEDs

The kit has two user push buttons marked PB0 and PB1. They are connected directly to the BGM121, and are debounced by RC filters with a time constant of 1 ms. The buttons are connected to pins PF6 and PF7.

The kit also features two yellow LEDs marked LED0 and LED1, that are controlled by GPIO pins on the BGM121. The LEDs are connected to pins PF4 and PF5 in an active-high configuration.

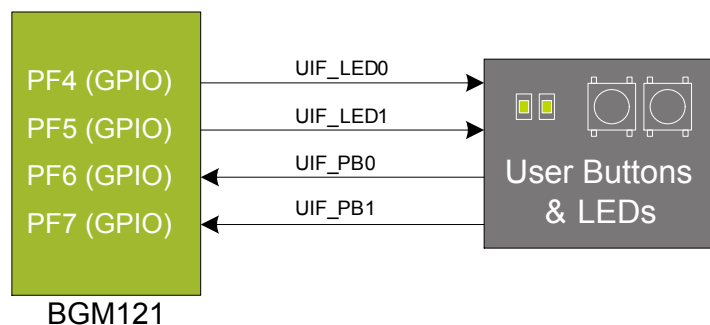


Figure 5.1. Buttons and LEDs

5.2 Memory LCD-TFT Display

A 1.28-inch SHARP Memory LCD-TFT is available on the kit to enable interactive applications to be developed. The display has a high resolution of 128 by 128 pixels, and consumes very little power. It is a reflective monochrome display, so each pixel can only be light or dark, and no backlight is needed in normal daylight conditions. Data sent to the display is stored in the pixels on the glass, which means no continuous refreshing is required to maintain a static image.

The display interface consists of an SPI-compatible serial interface and some extra control signals. Pixels are not individually addressable, instead data is sent to the display one line (128 bits) at a time.

The Memory LCD-TFT display is shared with the kit's board controller, allowing the board controller application to display useful information when the user application is not using the display. The user application always controls ownership of the display with the DISP_ENABLE signal:

- DISP_ENABLE = LOW: The board controller has control of the display
- DISP_ENABLE = HIGH: The user application (BGM121) has control of the display

Power to the display is sourced from the target application power domain when the BGM121 controls the display, and from the board controller's power domain when the DISP_ENABLE line is low. Data is clocked in on DISP_SI when DISP_CS is high, and the clock is sent on DISP_SCLK. The maximum supported clock speed is 1.1 MHz.

DISP_EXTCOMIN is the "COM Inversion" line. It must be pulsed periodically to prevent static build-up in the display itself. Refer to the display application information for details on driving the display:

<http://www.sharpmemorylcd.com/1-28-inch-memory-lcd.html>

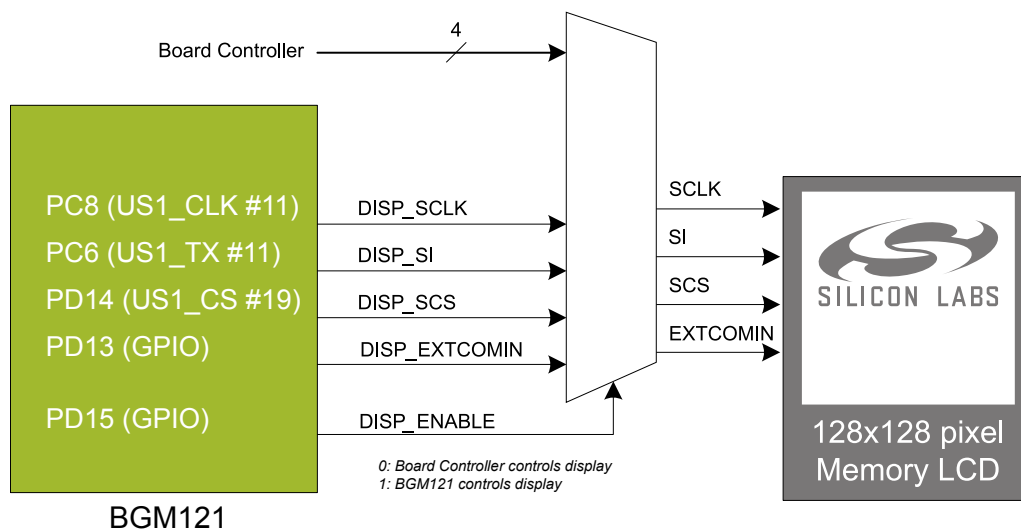


Figure 5.2. 128x128 Pixel Memory LCD

5.3 Serial Flash

The BRD4302A Radio Board is equipped with an 8 Mbit Macronix MX25R SPI flash that is connected directly to the BGM121. The figure below shows how the serial flash is connected to the BGM121.

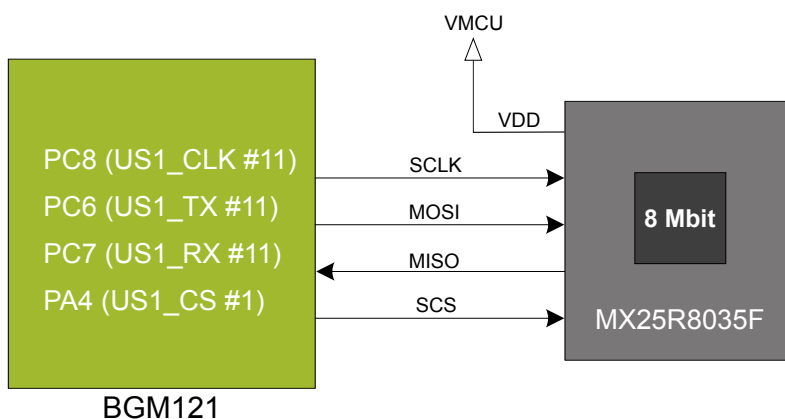


Figure 5.3. Radio Board Serial Flash

The MX25R series are ultra low power serial flash devices, so there is no need for a separate enable switch to keep current consumption down. However, it is important that the flash is always put in deep power down mode when not used. This is done by issuing a command over the SPI interface. In deep power down, the MX25R typically adds approximately 100 nA to the radio board current consumption.

5.4 Si7021 Relative Humidity and Temperature Sensor

The Si7021 I²C relative humidity and temperature sensor is a monolithic CMOS IC integrating humidity and temperature sensor elements, an analog-to-digital converter, signal processing, calibration data, and an I²C Interface. The patented use of industry-standard, low-K polymeric dielectrics for sensing humidity enables the construction of low-power, monolithic CMOS Sensor ICs with low drift and hysteresis, and excellent long term stability.

The humidity and temperature sensors are factory-calibrated and the calibration data is stored in the on-chip non-volatile memory. This ensures that the sensors are fully interchangeable, with no recalibration or software changes required.

The Si7021 is available in a 3x3 mm DFN package and is reflow solderable. It can be used as a hardware- and software-compatible drop-in upgrade for existing RH/ temperature sensors in 3x3 mm DFN-6 packages, featuring precision sensing over a wider range and lower power consumption. The optional factory-installed cover offers a low profile, convenient means of protecting the sensor during assembly (e.g., reflow soldering) and throughout the life of the product, excluding liquids (hydrophobic/oleophobic) and particulates.

The Si7021 offers an accurate, low-power, factory-calibrated digital solution ideal for measuring humidity, dew-point, and temperature, in applications ranging from HVAC/R and asset tracking to industrial and consumer platforms.

The I²C bus used for the Si7021 is shared with the EXP header. The temperature sensor is normally isolated from the I²C line. To use the sensor, SENSOR_ENABLE (PD9) must be set high. When enabled, the sensor's current consumption is included in the AEM measurements.

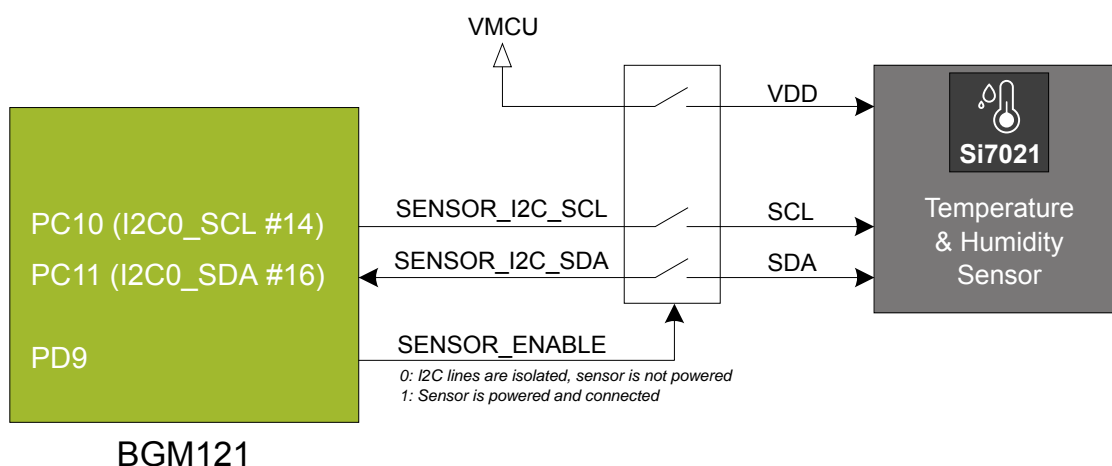


Figure 5.4. Si7021 Relative Humidity and Temperature Sensor

Refer to the Silicon Labs web pages for more information: <http://www.silabs.com/humidity-sensors>

5.5 Virtual COM Port

An asynchronous serial connection to the [board controller](#) is provided for application data transfer between a host PC and the target BGM121. This eliminates the need for an external serial port adapter.

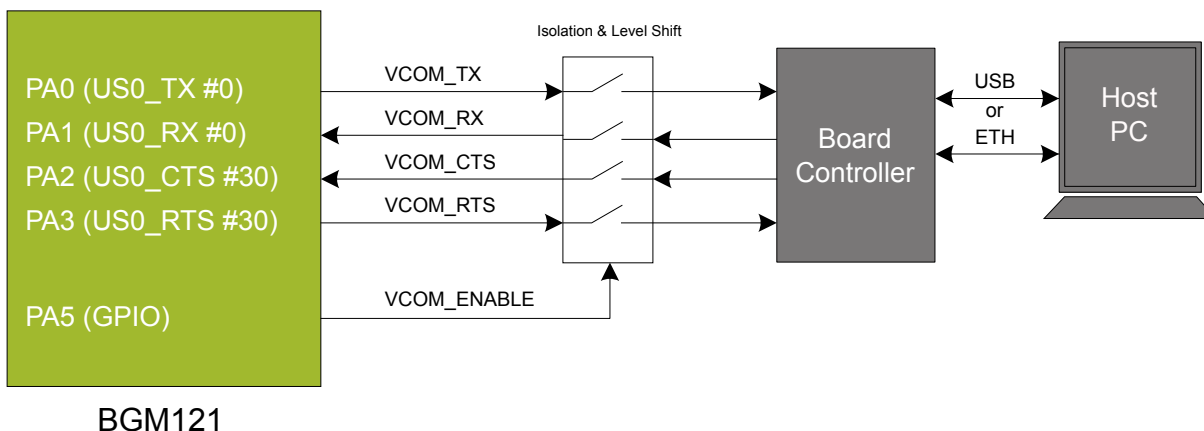


Figure 5.5. Virtual COM Port Interface

The virtual COM port consists of a physical UART between the target device and the board controller, and a logical function in the board controller that makes the serial port available to the host PC over USB or Ethernet. The UART interface consists of four pins and an enable signal.

Table 5.1. Virtual COM Port Interface Pins

| Signal | Description |
|-------------|---|
| VCOM_TX | Transmit data from the BGM121 to the board controller |
| VCOM_RX | Receive data from the board controller to the BGM121 |
| VCOM_CTS | Clear to Send hardware flow control input, asserted by the board controller when it is ready to receive more data |
| VCOM_RTS | Request to Send hardware flow control output, asserted by the BGM121 when it is ready to receive more data |
| VCOM_ENABLE | Enables the VCOM interface, allowing data to pass through to the board controller. |

The parameters of the serial port, such as baud rate or flow control, can be configured using the [admin console](#). The default settings depend on which radio board is used with the Wireless STK Mainboard.

Note: The VCOM port is only available when the board controller is powered, which requires the J-Link USB cable to be inserted.

5.5.1 Host Interfaces

Data sent to the board controller through the VCOM interface is available in two different ways to the user. At the same time, data can be sent to the target device using these interfaces:

- Virtual COM port using a standard USB-CDC driver.
- TCP/IP, by connecting to the Wireless STK on TCP/IP port 4901 with a Telnet client.

When connecting via USB, the device should automatically show up as a COM port. Some examples of device names that can be associated with the kit:

- JLink CDC UART Port (COM5) on Windows hosts
- /dev/cu.usbmodem1411 on macOS
- /dev/ttyACM0 on Linux

Note that these are only examples of what the device might show up as, and the actual assignment depends on the operating system, and how many devices are or have been connected previously. Data sent by the target device into the VCOM interface can be read from this port, and data written to this port is transmitted to the target device.

Connecting to the Wireless STK on port 4901 gives access to the same data over TCP/IP. Data written into the VCOM interface by the target device can be read from the socket, and data written into the socket is transmitted to the target device.

Note: Only one of these interfaces can be used at the same time, with the TCP/IP socket taking priority. This means that if a socket is connected to port 4901, no data can be sent or received on the USB COM port.

5.5.2 Serial Configuration

By default, the VCOM serial port is configured to use 115200 8N1, with flow control disabled/ignored. (115.2 Kbit/s, 8 databits, 1 stop bit). The configuration can be changed using the Admin Console:

```
WSTK> serial vcom config
Usage: serial vcom config [--nostore] [handshake <rts/cts/rtscts/disable/auto>] [speed <9600,921600>]
```

Using this command, the baud rate can be configured between 9600 and 921600 bit/s, and hardware handshake can be enabled or disabled on either or both flow control pins.

5.5.3 Hardware Handshake

The VCOM peripheral supports basic RTS/CTS flow control.

VCOM_CTS (target clear to send) is a signal that is output from the board controller and input to the target device. The board controller de-asserts this pin whenever its input buffer is full and it is unable to accept more data from the target device. If hardware handshake is enabled in the target firmware, its UART peripheral will halt when data is not being consumed by the host. This implements end-to-end flow control for data moving from the target device to the host.

VCOM_CTS is connected to the RTS pin on the board controller, and is enabled by setting handshake to either RTS or RTSCTS using the "serial vcom config" command.

VCOM_RTS (target request to send) is a signal that is output from the target device and input to the board controller. The board controller will halt transmission of data towards the target if the target device de-asserts this signal. This gives the target firmware a means to hold off incoming data until it can be processed. Please note that de-asserting RTS will not abort the byte currently being transmitted, so the target firmware must be able to accept at least one more character after RTS is de-asserted.

VCOM_RTS is connected to the CTS pin of the board controller, and is enabled by setting handshake to either CTS or RTSCTS using the "serial vcom config" command in the Admin Console. If CTS flow control is disabled, the state of VCOM_RTS will be ignored and data will be transmitted to the target device anyway.

Table 5.2. Hardware Handshake Configuration

| Mode | Description |
|----------|---|
| disabled | RTS (VCOM_CTS) is not driven by the board controller and CTS (VCOM_RTS) is ignored |
| rts | RTS (VCOM_CTS) is driven by the board controller to halt target from transmitting when input buffer is full. CTS (VCOM_RTS) is ignored. |
| cts | RTS (VCOM_CTS) is not driven by the board controller. Data is transmitted to the target device if CTS (VCOM_RTS) is asserted, and halted when de-asserted. |
| rtscts | RTS (VCOM_CTS) is driven by the board controller to halt target when buffers are full. Data is transmitted to the target device if CTS (VCOM_RTS) is asserted, and halted when de-asserted. |

Note: Please note that enabling CTS flow control without configuring the VCOM_RTS pin can result in no data being transmitted from the host to the target device.

6. Expansion Board

The User Interface Expansion Board included with the BGM121 Wireless STK includes the following features:

- 1x 3-axis accelerometer (Bosch Sensortech BMA280)
- 1x Joystick with 9 measurable positions
- 2x Push buttons and 2x LEDs

The connections between the Expansion Board and the BGM121 are shown in the figure below:

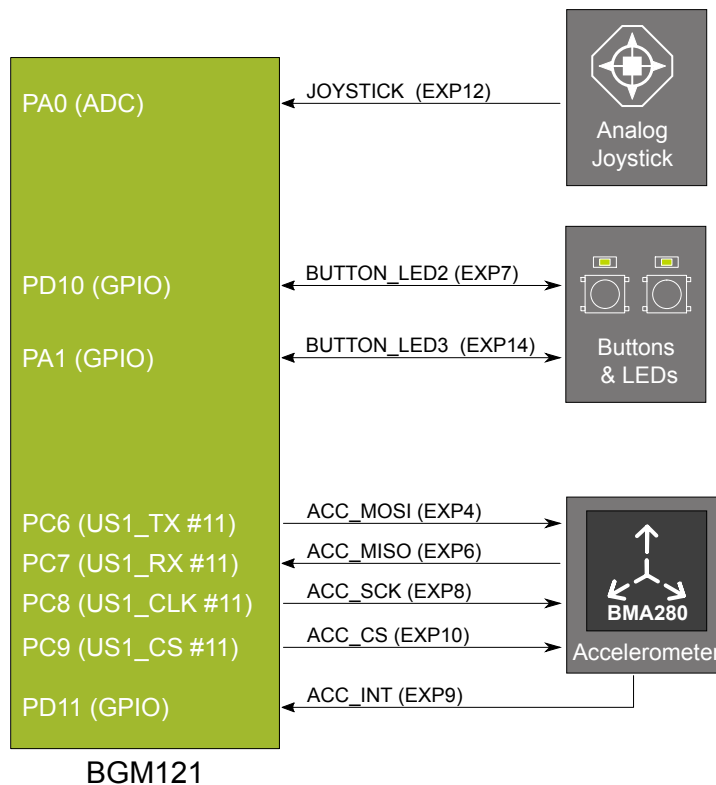


Figure 6.1. User Interface Expansion Board

The following sections contain more detailed information about each feature.

6.1 Accelerometer

Bosch Sensortec BMA280 is a triaxial, low-power, low-g accelerometer sensor with SPI interface. It features 14-bit digital resolution and allows very low-noise measurement of acceleration in 3 perpendicular axes and can therefore sense tilt, motion, shock and vibration.

Please refer to Bosch Sensortec's product page for a detailed datasheet of this sensor: http://www.bosch-sensortec.com/bst/products/all_products/bma280

6.2 Push Buttons and LEDs

The Expansion Board contains two push buttons (marked **BTN2** and **BTN3** on the PCB) and two LEDs (LED2 and LED3, not marked but placed correspondingly above the push button markings). One push button and one LED share the same I/O pin on the BGM121. The push button is connected to the LED through a transistor, allowing the I/O to be used either as an input (for reading the push button state) or as an output (to control the LED state on or off).

When configured as an input, **"0"** indicates that the button is being pressed and **"1"** that the push button is not being pressed. Likewise, when configured as an output, **"0"** will turn the LED on and **"1"** will turn it off.

Pressing a push button will also light up the corresponding LED because the LED is controlled by the same line (state) regardless of whether it is the BGM121 or the push button that pulls the line low.

The each button is debounced by an RC filter with a time constant of about 1 ms. Pressing the push button while having the pin configured as an output in high state (**"1"**) will not cause damage, but will cause extra current to flow.

6.3 Joystick

The analog joystick offers 9 measureable positions. This joystick is connected to the BGM121 pin **PD4**. Each of the joystick output pins are connected to a different resistor value to create a unique voltage that is measured by the internal ADC on the BGM121. The joystick output is connected to AD Channel 0 (**ADC0**). The figure below shows the connection between the joystick and the BGM121.

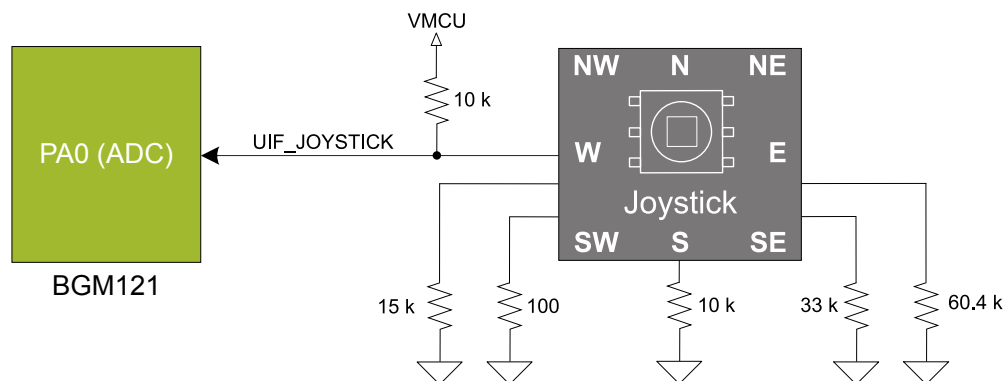


Figure 6.2. User Interface Expansion Board Joystick

The table below lists the expected output voltage from each joystick position.

Table 6.1. Joystick Output Voltage

| Position | Resistor combinations [kohm] | Joystick output voltage [V] ¹ |
|-----------------|---|--|
| Center press | $0.1 / (0.1 + 10)$ | 0.03 V |
| Up (N) | $60.4 / (60.4 + 10)$ | 2.83 V |
| Up-Right (NE) | $\{(N // E) / \{(N // E) + 10\} = 21.34 / (21.34 + 10)$ | 2.25 V |
| Right (E) | $33 / (33 + 10)$ | 2.53 V |
| Down-Right (SE) | $(S // E) / \{(S // E) + 10\} = 7.67 / (7.67 + 10)$ | 1.43 V |
| Down (S) | $10 / (10 + 10)$ | 1.65 V |
| Down-Left (SW) | $(S // W) / \{(S // W) + 10\} = 6 / (6 + 10)$ | 1.24 V |
| Left (W) | $15 / (15 + 10)$ | 1.98 V |
| Up-Left (NW) | $(N // W) / \{(N // W) + 10\} = 12.01 / (12.01 + 10)$ | 1.80 V |

Note: 1) Output Voltage is calculated with VMCU of 3.3 V .

7. Board Controller

The Wireless STK Mainboard contains a dedicated microcontroller for some of the advanced kit features provided. This microcontroller is referred to as the board controller, and is not programmable by the user. The board controller acts as an interface between the host PC and the target device on the radio board, as well as handling some house-keeping functions on the board.

Some of the kit features actively managed by the board controller are:

- The [on-board debugger](#), which can flash and debug both on-board and external targets.
- The [Advanced Energy Monitor](#), which provides real-time energy profiling of the user application.
- The Packet Trace Interface, which is used in conjunction with PC software to provide detailed insight into an active radio network.
- The [Virtual COM Port](#) and [Virtual UART](#) interfaces, which provide ways to transfer application data between the host PC and the target processor.
- The [admin console](#), which provides configuration of the various board features.

Silicon Labs publishes updates to the board controller firmware in the form of firmware upgrade packages. These updates may enable new features or fix issues. See [10.1 Firmware Upgrades](#) for details on firmware upgrade.

7.1 Admin Console

The admin console is a command line interface to the board controller on the kit. It provides functionality for configuring the kit behavior and retrieving configuration and operational parameters.

7.1.1 Connecting

The Wireless Starter Kit must be connected to Ethernet using the Ethernet connector in the top left corner of the mainboard for the admin console to be available. See [9.1.2 Ethernet Interface](#) for details on the Ethernet connectivity.

Connect to the admin console by opening a telnet connection to the kit's IP address, port number 4902.

When successfully connected, a `WSTK>` prompt is displayed.

7.1.2 Built-in Help

The admin console has a built-in help system which is accessed by the `help` command. The `help` command will print a list of all top level commands:

```
WSTK> help
***** Root commands *****
aem          AEM commands [ calibrate, current, dump, ... ]
boardid      Commands for board ID probe. [ list, probe ]
dbg          Debug interface status and control [ info, mode, ]
dch          Datachannel control and info commands [ info ]
discovery    Discovery service commands.
net          Network commands. [ dnslookup, geoprobe, ip ]
pti          Packet trace interface status and control [ config, disable, dump, ... ]
quit         Exit from shell
sys          System commands [ nickname, reset, scratch, ... ]
target       Target commands. [ button, flashwrite, go, ... ]
time        Time Service commands [ client, server ]
user         User management functions [ login, ]
```

The `help` command can be used in conjunction with any top level command to get a list of sub-commands with description. For example, `pti help` will print a list of all available sub-commands of `pti`:

```
WSTK> pti help
***** pti commands *****
config       Configure packet trace
disable      Disable packet trace
dump         Dump PTI packets to the console as they come
enable       Enable packet trace
info         Packet trace state information
```

This means that running `pti enable` will enable packet trace.

7.1.3 Command Examples

PTI Configuration

```
pti config 0 efruart 1600000
```

Configures PTI to use the "EFRUART" mode at 1.6 Mb/s.

Serial Port Configuration

```
serial config vcom handshake enable
```

Enables hardware handshake on the VCOM UART connection.

7.2 Virtual UART

The Virtual UART interface provides a high performance application data interface that does not require any additional I/O pins apart from the debug interface. It is based on SEGGER's Real Time Transfer (RTT) technology, and uses Serial Wire Output (SWO) to get application data from the device, and a shared memory interface to send data to the target application.

The Wireless Starter Kit makes the Virtual UART interface available on TCP/IP port 4900.

8. Advanced Energy Monitor

8.1 Introduction

Any embedded developer seeking to make his embedded code spend as little energy as the underlying architecture supports needs tools to easily and quickly discover inefficiencies in the running application.

This is what the Simplicity Energy Profiler is designed to do. In real-time, the Energy Profiler will graph and log current as a function of time while correlating this to the actual target application code running on the BGM121. There are multiple features in the profiler software that allows for easy analysis, such as markers and statistics on selected regions of the current graph or aggregate energy usage by different parts of the application.

8.2 Theory of Operation

The Advanced Energy Monitor (AEM) circuitry on the board is capable of measuring current signals in the range of 0.1 μA to 95 mA, which is a dynamic range of almost 120 dB. It can do this while maintaining approximately 10 kHz of current signal bandwidth. This is accomplished through a combination of a highly capable current sense amplifier, multiple gain stages, and signal processing within the kit's board controller before the current sense signal is read by a host computer for display and/or storage.

The current sense amplifier measures the voltage drop over a small series resistor, and the gain stage further amplifies this voltage with two different gain settings to obtain two current ranges. The transition between these two ranges occurs around 250 μA .

The current signal is combined with the target processor's Program Counter (PC) sampling by utilizing a feature of the ARM CoreSight debug architecture. The Instrumentation Trace Macrocell (ITM) block can be programmed to sample the MCU's PC at periodic intervals (50 kHz) and output these over SWO pin ARM devices. When these two data streams are fused and correlated with the running application's memory map, an accurate statistical profile can be built, that shows the energy profile of the running application in real-time.

At kit power-up or on a power-cycle, an automatic AEM calibration is performed. This calibration compensates for any offset errors in the current sense amplifiers.

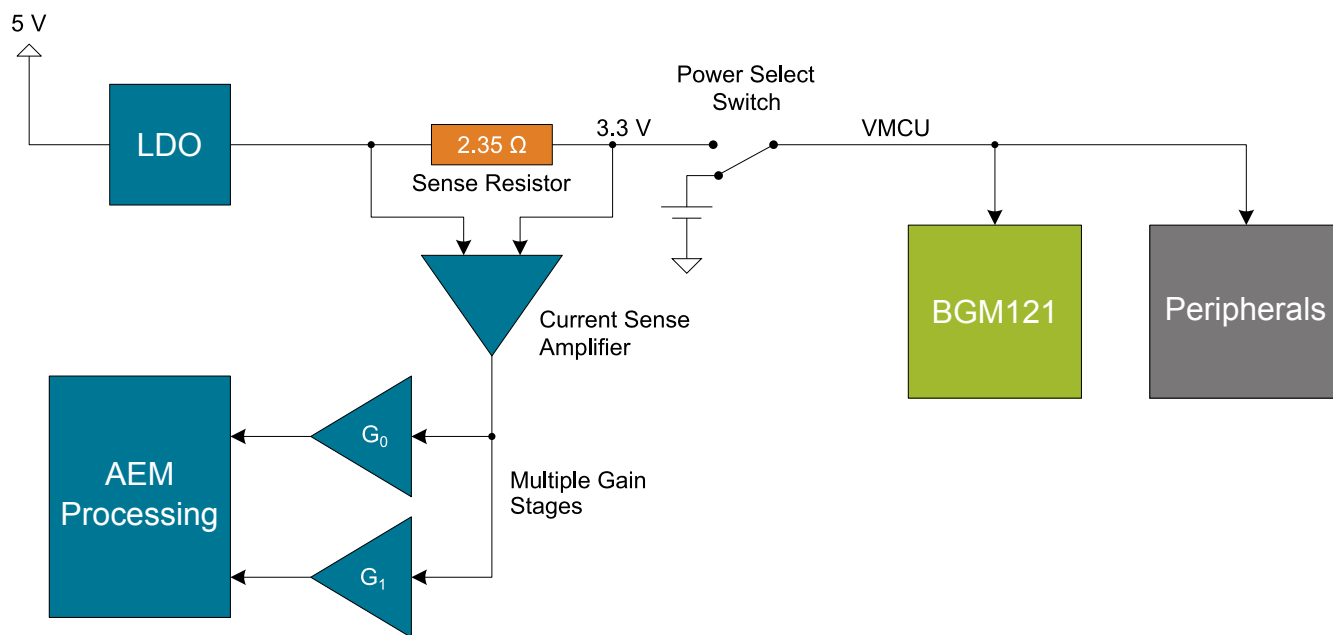


Figure 8.1. Advanced Energy Monitor

Note: The 3.3 V regulator feedback point is after the 2.35 Ω sense resistor to ensure that the VMCU voltage is kept constant when the output current changes. Maximum recommended output current is 300 mA.

8.3 AEM Accuracy and Performance

The AEM is capable of measuring currents in the range of 0.1 μA to 95 mA. For currents above 250 μA , the AEM is accurate within 0.1 mA. When measuring currents below 250 μA , the accuracy increases to 1 μA . Even though the absolute accuracy is 1 μA in the sub 250 μA range, the AEM is able to detect changes in the current consumption as small as 100 nA.

The AEM current sampling rate is 10 kHz.

Note: The AEM circuitry only works when the kit is powered and the power switch is in the AEM position.

8.4 Usage

The AEM data is collected by the board controller and can be displayed by the Energy Profiler, available through Simplicity Studio. By using the Energy Profiler, current consumption and voltage can be measured and linked to the actual code running on the BGM121 in realtime.

9. On-Board Debugger

The Wireless STK Mainboard contains an integrated debugger, which can be used to download code and debug the BGM121. In addition to programming a target on a plug-in radio board, the debugger can also be used to program and debug external Silicon Labs EFM32, EFM8, EZR32, and EFR32 devices connected through the debug connector.

The debugger supports three different debug interfaces for Silicon Labs devices:

- Serial Wire Debug is supported by all EFM32, EFR32, and EZR32 devices
- JTAG is supported by EFR32 and some EFM32 devices
- C2 Debug is supported by EFM8 devices

In order for debugging to work properly, make sure that the selected debug interface is supported by the target device. The debug connector on the board supports all three of these modes.

9.1 Host Interfaces

The Wireless Starter Kit supports connecting to the on-board debugger using either Ethernet or USB.

Many tools support connecting to a debugger using either USB or Ethernet. When connected over USB, the kit is identified by its J-Link serial number. When connected over Ethernet, the kit is normally identified by its IP address. Some tools also support using the serial number when connecting over Ethernet, however this typically requires the computer and the kit to be on the same subnet for the discovery protocol (using UDP broadcast packets) to work.

9.1.1 USB Interface

The USB interface is available whenever the USB Mini-B connector on the left-hand side of the mainboard is connected to a computer.

9.1.2 Ethernet Interface

The Ethernet interface is available when the mainboard Ethernet connector in the top left corner is connected to a network. Normally, the kit will receive an IP address from a local DHCP server, and the IP address is printed on the LCD display. If your network does not have a DHCP server, you need to connect to the kit via USB and set the IP address manually using Simplicity Studio, Simplicity Commander, or J-Link Configurator.

For the Ethernet connectivity to work, the kit must still be powered through the USB Mini-B connector. See [4.2 Board Controller Power](#) for details.

9.1.3 Serial Number Identification

All Silicon Labs kits have a unique J-Link serial number which identifies the kit to PC applications. This number is 9 digits, and is normally on the form 44xxxxxxxx.

The J-Link serial number is normally printed at the bottom of the kit LCD display.

9.2 Debug Modes

Programming external devices is done by connecting to a target board through the provided debug connector, and by setting the debug mode to [Out]. The same connector can also be used to connect an external debugger to the BGM121 SiP Module on the kit, by setting debug mode to [In].

Selecting the active debug mode is done in Simplicity Studio.

Debug MCU: In this mode, the on-board debugger is connected to the BGM121 on the kit.

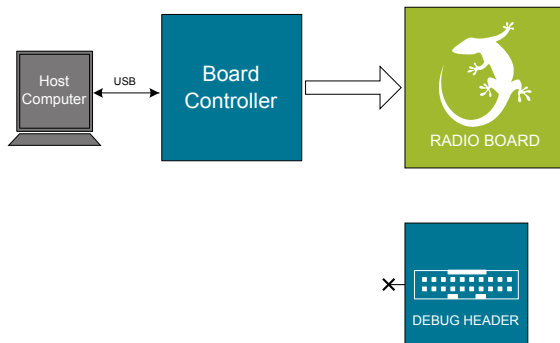


Figure 9.1. Debug MCU

Debug OUT: In this mode, the on-board debugger can be used to debug a supported Silicon Labs device mounted on a custom board.

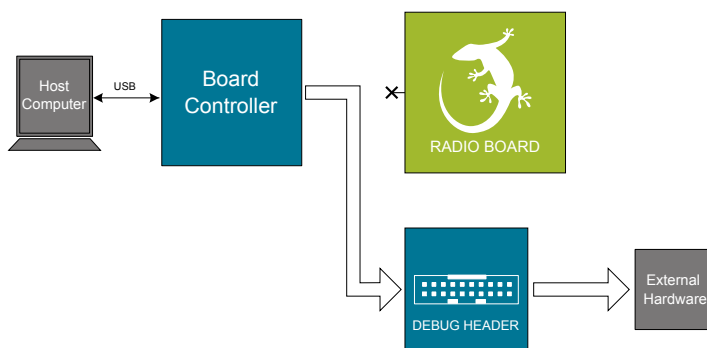


Figure 9.2. Debug OUT

Debug IN: In this mode, the on-board debugger is disconnected, and an external debugger can be connected to debug the BGM121 on the kit.

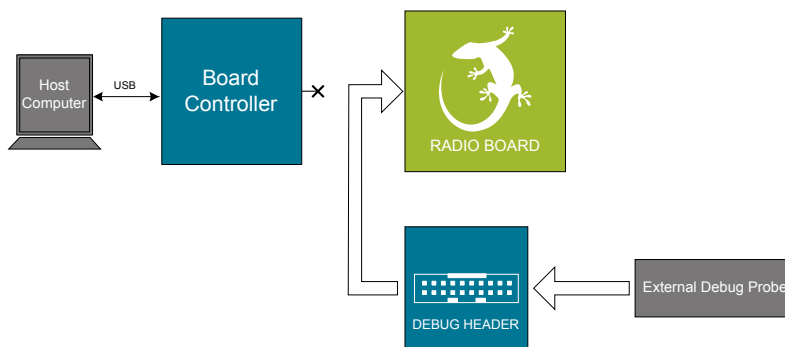


Figure 9.3. Debug IN

Note: For "Debug IN" to work, the kit board controller must be powered through the Debug USB connector.

9.3 Debugging During Battery Operation

When the BGM121 is powered by battery and the J-Link USB is still connected, the on-board debug functionality is available. If the USB power is disconnected, the Debug IN mode will stop working.

If debug access is required when the target is running off another energy source, such as a battery, and the board controller is powered down, the user should make direct connections to the GPIO used for debugging. This can be done by connecting to the appropriate pins of the breakout pads. Some Silicon Labs kits provide a dedicated pin header for this purpose.

10. Kit Configuration and Upgrades

The kit configuration dialog in Simplicity Studio allows you to change the J-Link adapter debug mode, upgrade its firmware, and change other configuration settings. To download Simplicity Studio, go to <http://www.silabs.com/simplicity>.

In the main window of the Simplicity Studio's Launcher perspective, the debug mode and firmware version of the selected J-Link adapter is shown. Click the **[Change]** link next to any of them to open the kit configuration dialog.

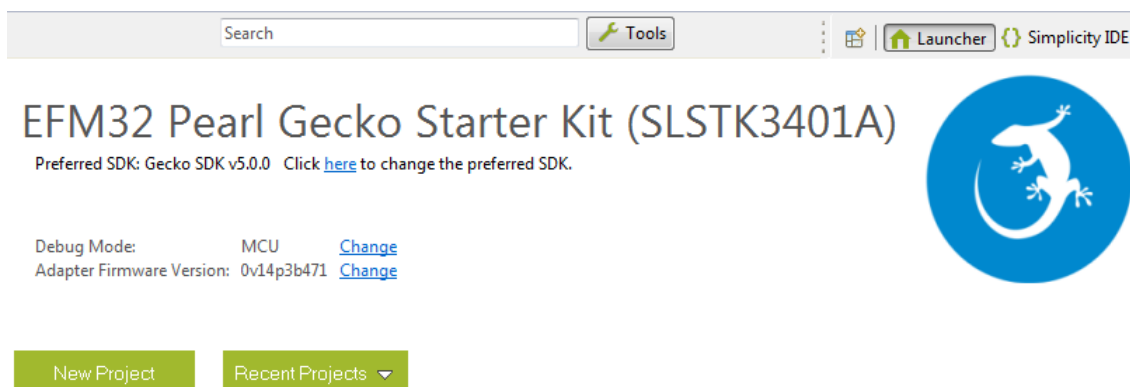


Figure 10.1. Simplicity Studio Kit Information

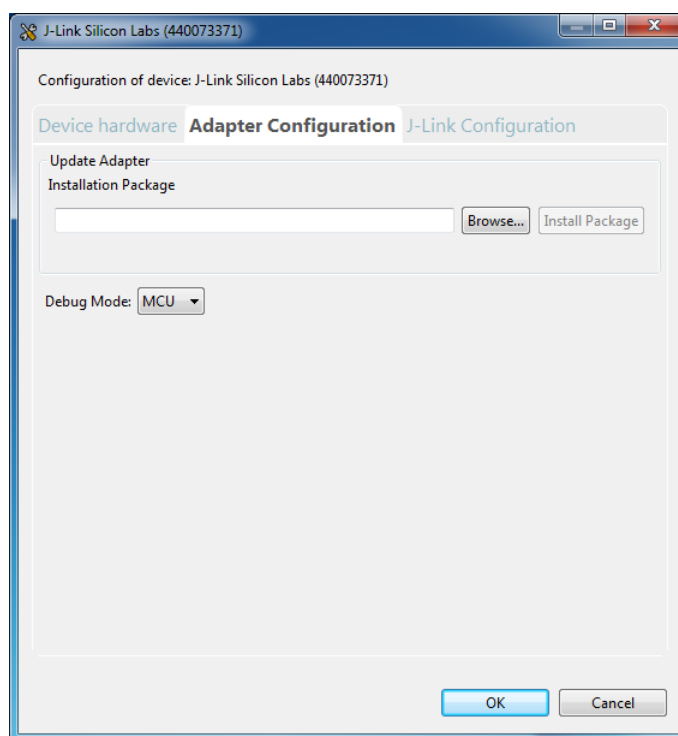


Figure 10.2. Kit Configuration Dialog

10.1 Firmware Upgrades

Upgrading the kit firmware is done through Simplicity Studio. Simplicity Studio will automatically check for new updates on startup.

You can also use the kit configuration dialog for manual upgrades. Click the **[Browse]** button in the **[Update Adapter]** section to select the correct file ending in `.emz`. Then, click the **[Install Package]** button.

11. Schematics, Assembly Drawings, and BOM

Schematics, assembly drawings, and bill of materials (BOM) are available through [Simplicity Studio](#) when the kit documentation package has been installed.

12. Mainboard Connectors

BRD4302A contains two dual-row, female socket, 0.05" pitch polarized connectors (P/N: SFC-120-T2-L-D-A-K-TR) which provide the interface to the Wireless STK Mainboard. The Mainboard has the corresponding male header pin connectors (P/N: TFC-120-02-F-D-LC-ND).

12.1 Mainboard Connector Pin Associations

The figure below shows the pin mapping on the connector to the radio pins and their corresponding function on the Wireless STK Mainboard.

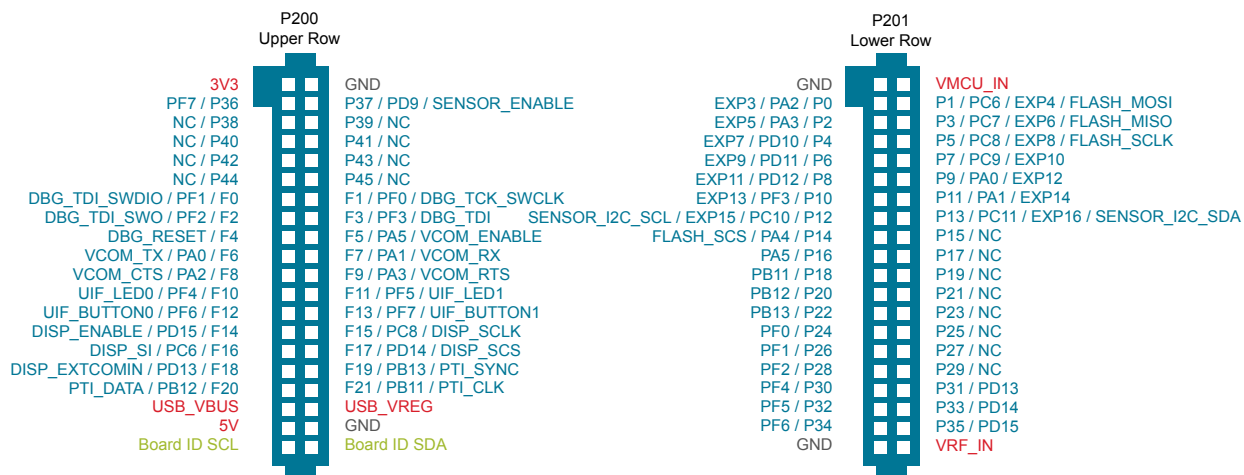


Figure 12.1. Radio Board Connectors

13. Mechanical Details

The mechanical layout of BRD4302A BGM121 Blue Gecko SiP Module Radio Board is illustrated in the figures below.

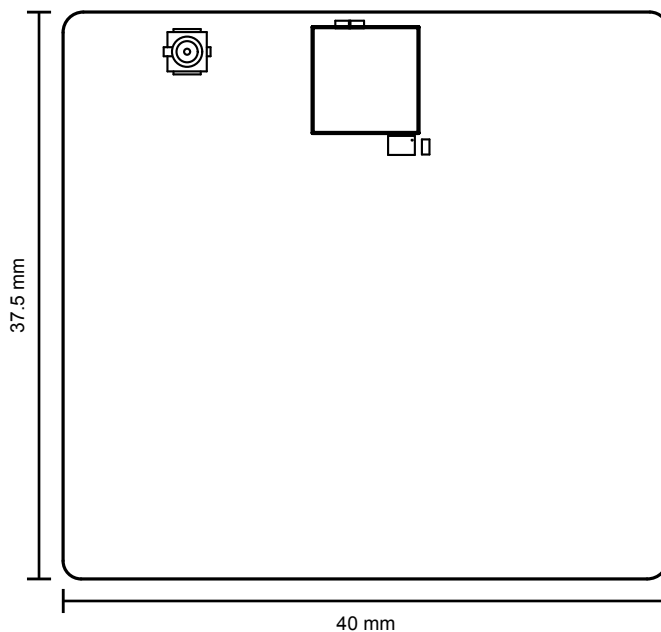


Figure 13.1. BRD4302A Top View

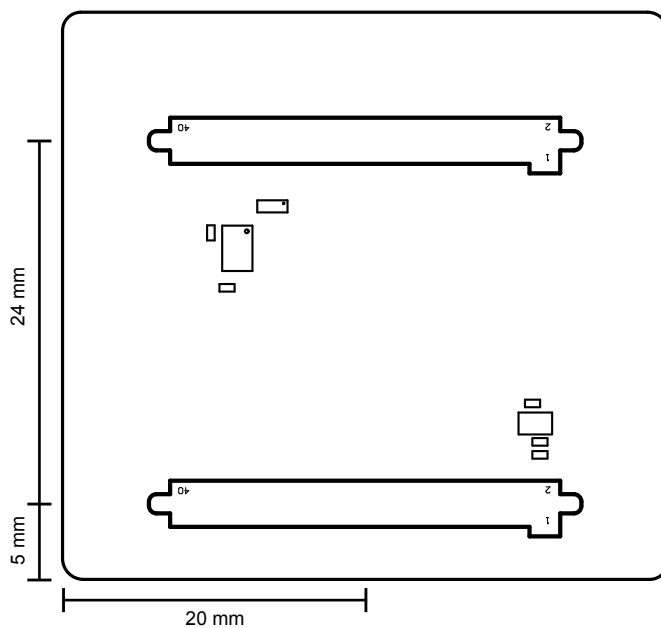


Figure 13.2. BRD4302A Bottom View

14. Radio Board Revision History and Errata

14.1 BRD4302A Revision History

The Radio Board revision is printed on the backside of the board.

Table 14.1. BRD4302A Revision History

| Radio Board Revision | Release Date | Description |
|----------------------|------------------|--|
| A04 | 22 August 2017 | Updated BGM121 to module revision V2. |
| A03 | 5 September 2016 | Updated PCB revision to A03. |
| A02 | 14 July 2016 | Updated PCB revision to A02. |
| A01 | 9 June 2016 | Updated PCB revision to A01. Increased width to 40 mm. |
| A00 | 8 April 2016 | Initial version. |

14.2 BRD4302A Errata

Table 14.2. BRD4302A Errata

| Radio Board Revision | Problem | Description |
|----------------------|---------------------------------------|--|
| A00-A03 | Missing pull-up on MX25R chip select. | There is no external pull-up on the chip select signal for the MX25R serial flash. If the BGM121 enters EM4H/EM4S, the serial flash will exit its deep power-down mode, and the board current consumption will be significantly higher than expected. A workaround is to enable EM4 GPIO retention on the BGM121 and configure the chip-select pin to be high. |
| A00 | Incorrect board revision marking | The bottom side of the radio board is incorrectly marked "BRD4302 Rev PA03". |

15. Kit Revision History

The kit revision can be found printed on the kit packaging label, as outlined in the figure below.

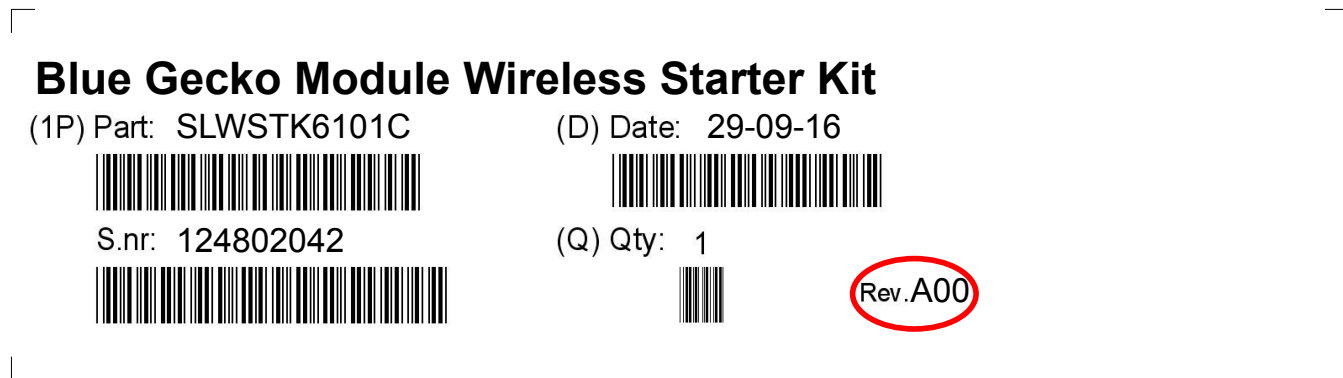


Figure 15.1. Kit Label

15.1 SLWSTK6101C Revision history

| Kit Revision | Released | Description |
|--------------|-------------------|--|
| A01 | 23 August 2017 | Updated BRD4302A from revision A03 to revision A04. |
| A00 | 28 September 2016 | Initial kit release, replaces SLWSTK6101B. Added BRD4302A BGM121 Blue Gecko SiP Module Radio Board. Removed BRD4301A BGM113 Blue Gecko Module Radio Board. |

15.2 SLWRB4302A Revision history

| Kit Revision | Released | Description |
|--------------|-----------------|---|
| A01 | 23 August 2017 | Updated BRD4302A to revision A04, updating BGM121 to revision V2. |
| A00 | 14 October 2016 | Initial release with BRD4302A revision A03. |

16. Document Revision History

Revision 1.02

March 2018

- Added information about BRD4302A revision A04.
- Added information about SLWSTK6101C revision A01.
- Added information about SLWRB4302A revision A01.

Revision 1.01

June 2017

- Added errata for missing pull-up on serial flash chip select.
- Corrected I2C peripheral mapping on expansion header.
- Corrected pin-out for SENSOR_ENABLE signal.

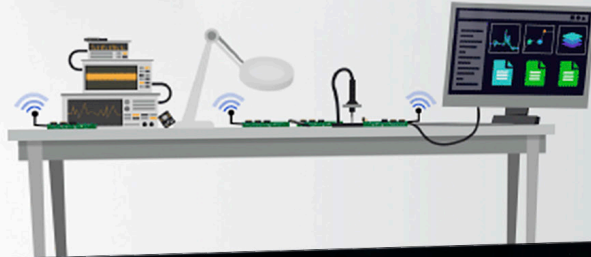
Revision 1.00

October 2016

- Initial version.

Silicon Labs

Simplicity Studio™4



Simplicity Studio

One-click access to MCU and wireless tools, documentation, software, source code libraries & more. Available for Windows, Mac and Linux!



IoT Portfolio
www.silabs.com/loT



SW/HW
www.silabs.com/simplicity



Quality
www.silabs.com/quality



Support and Community
community.silabs.com

Disclaimer

Silicon Labs intends to provide customers with the latest, accurate, and in-depth documentation of all peripherals and modules available for system and software implementers using or intending to use the Silicon Labs products. Characterization data, available modules and peripherals, memory sizes and memory addresses refer to each specific device, and "Typical" parameters provided can and do vary in different applications. Application examples described herein are for illustrative purposes only. Silicon Labs reserves the right to make changes without further notice and limitation to product information, specifications, and descriptions herein, and does not give warranties as to the accuracy or completeness of the included information. Silicon Labs shall have no liability for the consequences of use of the information supplied herein. This document does not imply or express copyright licenses granted hereunder to design or fabricate any integrated circuits. The products are not designed or authorized to be used within any Life Support System without the specific written consent of Silicon Labs. A "Life Support System" is any product or system intended to support or sustain life and/or health, which, if it fails, can be reasonably expected to result in significant personal injury or death. Silicon Labs products are not designed or authorized for military applications. Silicon Labs products shall under no circumstances be used in weapons of mass destruction including (but not limited to) nuclear, biological or chemical weapons, or missiles capable of delivering such weapons.

Trademark Information

Silicon Laboratories Inc.®, Silicon Laboratories®, Silicon Labs®, SiLabs® and the Silicon Labs logo®, Bluegiga®, Bluegiga Logo®, Clockbuilder®, CMEMS®, DSPLL®, EFM®, EFM32®, EFR®, Ember®, Energy Micro, Energy Micro logo and combinations thereof, "the world's most energy friendly microcontrollers", Ember®, EZLink®, EZRadio®, EZRadioPRO®, Gecko®, ISOModem®, Micrium, Precision32®, ProSLIC®, Simplicity Studio®, SiPHY®, Telegesis, the Telegesis Logo®, USBXpress®, Zentri and others are trademarks or registered trademarks of Silicon Labs. ARM, CORTEX, Cortex-M3 and THUMB are trademarks or registered trademarks of ARM Holdings. Keil is a registered trademark of ARM Limited. All other products or brand names mentioned herein are trademarks of their respective holders.



SILICON LABS

Silicon Laboratories Inc.
400 West Cesar Chavez
Austin, TX 78701
USA

<http://www.silabs.com>