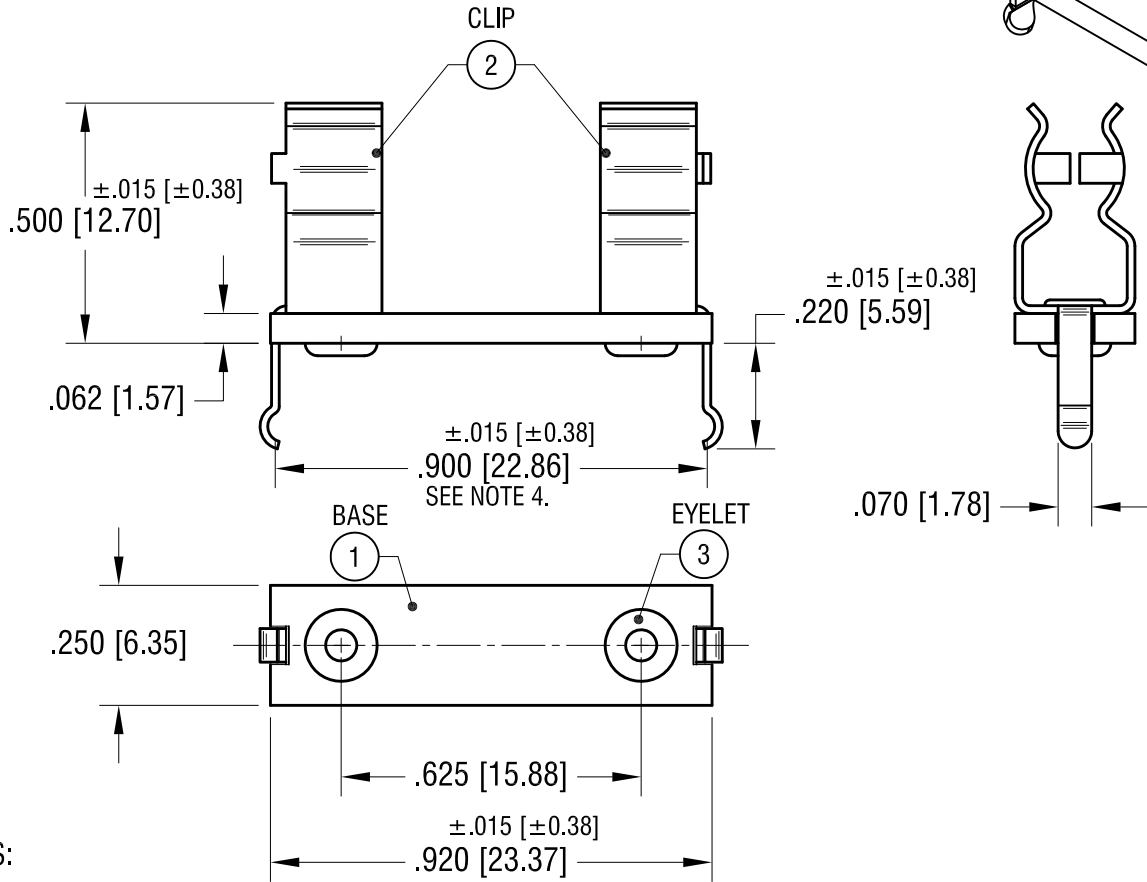


THIS DOCUMENT IS THE PROPERTY OF KEYSTONE ELECTRONICS CORP. AND SHALL NOT BE REPRODUCED, DISTRIBUTED OR USED AS A BASIS FOR MANUFACTURE WITHOUT PRIOR WRITTEN PERMISSION FROM KEYSTONE ELECTRONICS CORP.



NOTES:

- ① BASE P/N 3527-1
MAT'L: .062 [1.57] TH'K G10
GLASS EPOXY UL 94V-0
- ② CLIP P/N 3520
MAT'L: .016 [0.40] TH'K BRASS
FINISH: MATTE TIN PLATE
- ③ EYELET P/N 34
MAT'L: .009 [0.22] TH'K BRASS
FINISH: BRIGHT ELECTRO TIN
- 4. MOUNTING HOLES TO BE
.078 [1.98] DIA. (2 PLS)

8.24.11	CHANGE AS PER ECN 11-115	A
DATE	DESCRIPTION	REV.

KEYSTONE ELECTRONICS CORP.			
www.keyelco.com • ASTORIA, N.Y. 11105-2017 • Tel (718) 956-8900			
PART NAME		PC 5MM FUSE HOLDER ASS'Y	
MATERIAL		AS NOTED	
FINISH		DRN BY	DATE
AS NOTED		BOONE	2.9.94
		APP'D	SCALE
		LN	2.5X
TOLERANCES	INCH [MM]	CODE	DWG NO.
DECIMAL	± .005 [± 0.13]	C/M	3527
ANGULAR	± 1°		
UNLESS OTHERWISE SPECIFIED			