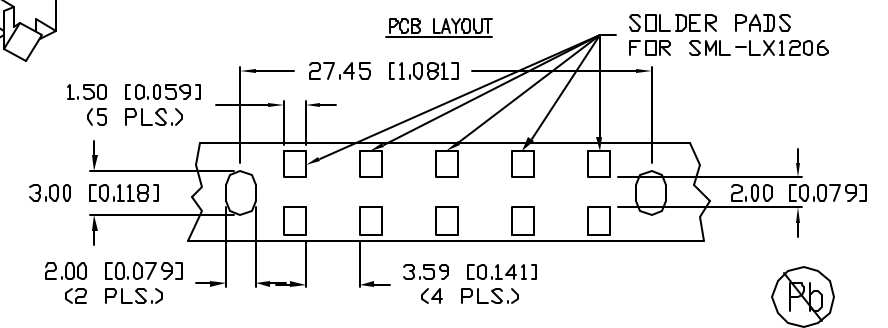
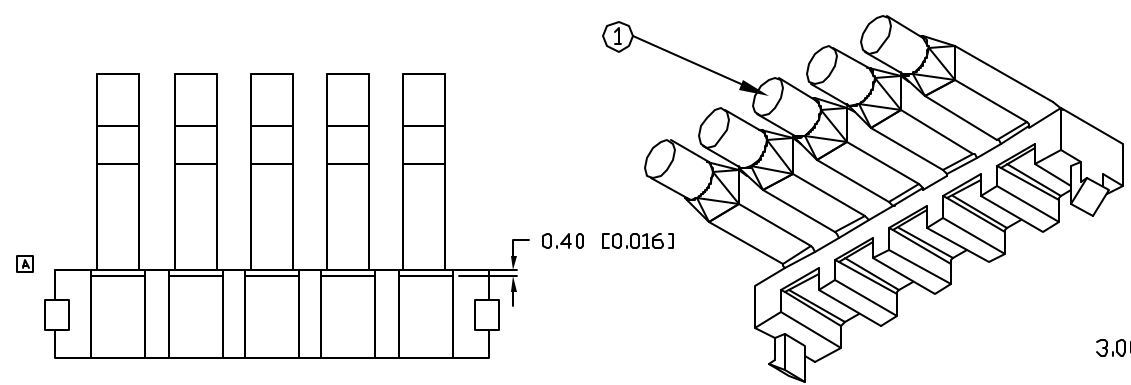
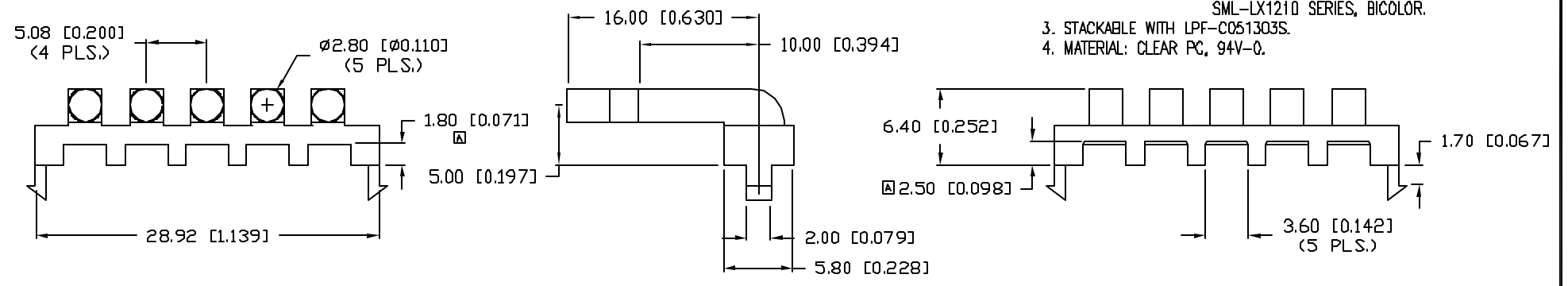


UNCONTROLLED DOCUMENT

|              |                                     |          |
|--------------|-------------------------------------|----------|
| PART NUMBER  |                                     | REV.     |
| LPF-C051304S |                                     | A        |
| REV.         | E.C.N. NUMBER AND REVISION COMMENTS | DATE     |
| A            | E.C.N. #11377.                      | 12.21.06 |


NOTES:

1. THE END OF THE LIGHT PIPE IS DIFFUSED.
2. RECOMMENDED LED: SML-LX1206 SERIES, SINGLE COLOR  
SML-LX1210 SERIES, BICOLOR.
3. STACKABLE WITH LPF-C051303S.
4. MATERIAL: CLEAR PC, 94V-0.



UNCONTROLLED DOCUMENT

\*UNLESS OTHERWISE SPECIFIED TOLERANCES PER DECIMAL PRECISION ARE: X=±1 (±0.039), X.X=±0.5 (±0.020), X.XX=±0.25 (±0.010), X.XXX=±0.127 (±0.005). LEAD SIZE=±0.05 (±0.002), LEAD LENGTH=±0.75 (±0.030), MIN=+0.00 DECIMAL PRECISION MAX.=+0.00 DECIMAL PRECISION

|   |                             |  |  |
|---|-----------------------------|--|--|
| REV.<br>A                                     | PART NUMBER<br>LPF-C051304S | <p>CONFIDENTIAL INFORMATION</p> <p>THE INFORMATION CONTAINED IN THIS DOCUMENT IS THE PROPERTY OF LUMEX INC. EXCEPT AS SPECIFICALLY AUTHORIZED IN WRITING BY LUMEX INC, THE HOLDER OF THIS DOCUMENT SHALL KEEP ALL INFORMATION CONTAINED HEREIN CONFIDENTIAL AND SHALL PROTECT SAME IN WHOLE OR IN PART FROM DISCLOSURE AND DISSEMINATION TO ALL THIRD PARTIES.</p> <p>RELIABILITY NOTE</p> <p>OUR MANY YEARS OF EXPERIENCE DATA ACCUMULATION INDICATE THAT SOLDER HEAT IS A MAJOR CAUSE OF EARLY AND FUTURE FAILURE. PLEASE PAY ATTENTION TO YOUR SOLDERING PROCESS.</p> |  <p>290 E. HELEN ROAD<br/>PALATINE, IL 60067-6976<br/>PHONE: +1.847.359.2790<br/>US WEB: www.lumex.com<br/>TW WEB: www.lumex.com.tw</p> |
| 5 UNIT, STACKABLE RIGHT ANGLE SMT LIGHT PIPE. |                             | <p>DRAWN BY: JC</p> <p>CHECKED BY:</p> <p>APPROVED BY:</p>   | <p>DATE: 12.21.06</p> <p>PAGE: 1 OF 1</p> <p>SCALE: N/A</p>  |