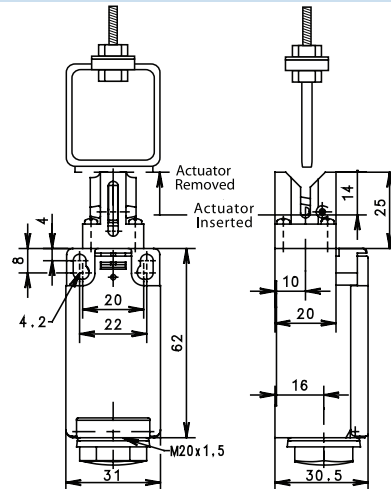


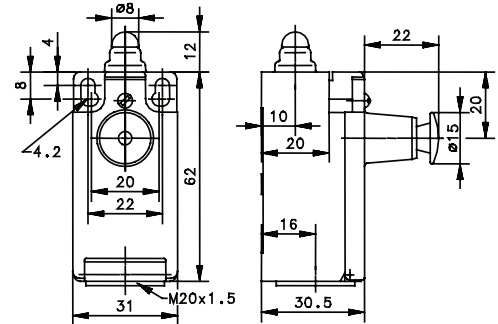
**I88 Series**



**KS**



**W RAST**



Switching Operation	Slow Action	Snap Action	Slow Action	Snap Action
<b>1 NC / 1 NO Contacts</b>	<b>611.6819.140</b> I88-U1Z KS 	- -	<b>618.6103.005</b> I88-U1Z W RAST 	- -
<b>2 NC Contacts</b>	- -	- -	<b>618.6803.155</b> I88-A2Z W RAST 	- -
<b>2 NO Contacts</b>	- -	- -	- -	- -
<b>1 NC / 1 NO Contacts Overlapping</b>	- -	- -	- -	- -

Replacement actuator:

**391.8401.031**

Technical Information	Slow Action	Snap Action	Slow Action	Snap Action
Maximum Switching Voltage	240V	240V	240V	240V
Max. Switching Amps (up to)*	10A	10A	10A	10A
B10d (up to)*	20 Million	20 Million	20 Million	20 Million
Mechanical Service Life (up to)*	3 x 10 <sup>6</sup>	10 x 10 <sup>6</sup>	10 x 10 <sup>6</sup>	10 x 10 <sup>6</sup>
Switching Frequency	≤ 100/min	≤ 100/min	≤ 100/min	≤ 100/min
Operating Temperature	-30 °C to +80 °C	-30 °C to +80 °C	-30 °C to +80 °C	-30 °C to +80 °C
Protection Rating	IP65	IP65	IP65	IP65
Utilization Category (up to)*	AC-15, Ue/Ue 240V 3A	AC-15, Ue/Ue 240V 3A	AC-15, Ue/Ue 240V 3A	AC-15, Ue/Ue 240V 3A
Rate Insulation Voltage	250VAC	250VAC	250VAC	250VAC

\* Depending on switching system - see technical information for details



Drawing dimensions in mm