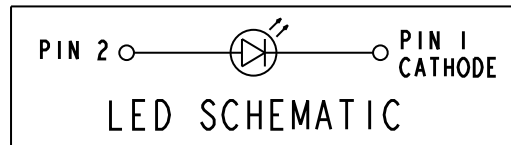


DIALIGHT PART NUMBER	LED COLOR
521-9430F	GREEN TINTED NON-DIFFUSED
521-9431F	YELLOW TINTED NON-DIFFUSED
521-9432F	RED TINTED NON-DIFFUSED

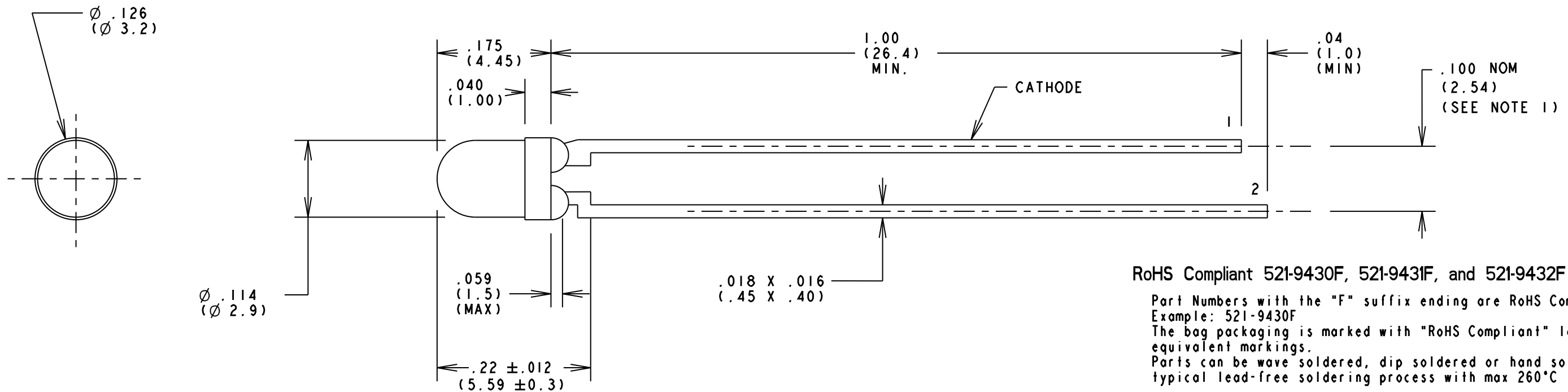


OPERATING CHARACTERISTICS AT 25°C AMBIENT						
CHARACTERISTICS	LED COLOR	MIN	TYP	MAX	UNITS	TEST CONDITIONS
LUMINOUS INTENSITY	GREEN	32	50		mcd	$I_f = 10 \text{ mA}$
	YELLOW	10		50		
	RED	8.7	29			
FORWARD VOLTAGE	GREEN		2.1	2.8	V	$I_f = 20 \text{ mA}$
	YELLOW		2.1	2.8		
	RED		2.0	2.8		
REVERSE CURRENT	GREEN			100	μA	$V_R = 5 \text{ V}$
	YELLOW			100		
	RED			100		
PEAK WAVELENGTH	GREEN		565		nm	
	YELLOW		585			
	RED		635			
VIEWING ANGLE	GREEN		45		Degree	
	YELLOW		45			
	RED		45			

REV	ECN NO	REVISIONS	DRN	CKD	APP	DATE
A		NEW RELEASE	TWC	NO	MES	12-7-05
B		ADDED PART NO.'S 521-9431F AND 521-9432F	AJF	KJL	NO	6-23-09

NOTES:

- DIE TECHNOLOGY: GaP GREEN
GaAsP/GaP YELLOW AND RED
- LEAD SPACING MEASURED NEAR EPOXY PACKAGE.
- PIN NUMBERS FOR REFERENCE ONLY, DESIGNATION NON-EXISTENT ON PART.
- DIALIGHT PART NO. 521-9430F, 521-9431F, AND 521-9432F.
- THIS ASSEMBLY CONTAINS ELECTROSTATIC DISCHARGE SENSITIVE DEVICES (ESDS). MAINTAIN ALL PRECAUTIONARY MEASURES DURING ASSEMBLY, HANDLING, AND STORAGE IN ACCORDANCE WITH IPC-A-610.



RoHS Compliant 521-9430F, 521-9431F, and 521-9432F 3mm LED

Part Numbers with the "F" suffix ending are RoHS Compliant.
Example: 521-9430F
The bag packaging is marked with "RoHS Compliant" label or equivalent markings.
Parts can be wave soldered, dip soldered or hand soldered using typical lead-free soldering process with max 260°C temp. for 5 sec.

ABSOLUTE MAXIMUM RATING AT 25°C AMBIENT	UNITS	GREEN	YELLOW	RED
POWER DISSIPATION	mW	100	60	100
CONTINUOUS FORWARD CURRENT	mA	30	20	30
DERATE LINEARLY FROM 50°C	mA/°C	0.4	0.25	0.4
PEAK FORWARD CURRENT (1/10 DUTY CYCLE, 0.1 ms PULSE WIDTH)	mA	120	80	120
LEAD SOLDERING TEMPERATURE, 5 SEC., 1/16" FROM BODY	°C	260		
OPERATING TEMPERATURE	°C	-55 TO +100		
STORAGE TEMPERATURE	°C	-55 TO +100		



ATTENTION:
OBSERVE PRECAUTIONS FOR
HANDLING ELECTROSTATIC
SENSITIVE DEVICES

THIS DRAWING AND THE CONTENTS HEREIN ARE CONFIDENTIAL AND THE SOLE PROPERTY OF DIALIGHT. REPRODUCTION OF THIS DRAWING OR CONSTRUCTION OF ANY PARTS WITHIN THIS DRAWING ARE FORBIDDEN WITHOUT THE WRITTEN CONSENT OF DIALIGHT.		
SCALE: DRAWING SCALE ALL DIM'S IN: INCHES (MM)	DRAWING NUMBER C-17334	REV B
TOLERANCES: UNLESS OTHERWISE SPECIFIED FRACTIONS: $\pm 1/64$ DECIMALS (.XX): $\pm .01$ DECIMALS (.XXX): $\pm .005$ DECIMALS (.XXXX): $\pm .0005$ ANGLES: $\pm 1^\circ$	TITLE 3 mm LED TINTED, NON-DIFFUSED, RoHS COMPLIANT	
FINISH:	MATERIAL	
FSCM 83330	Dialight 1501 ROUTE 34 SOUTH FARMINGDALE, NJ 07727	
SHEET 1 OF 1 FAMILY TABLE:		