

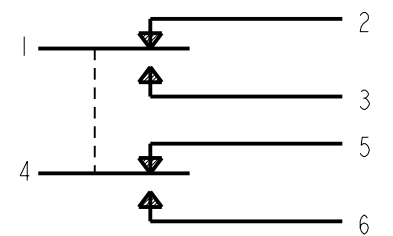
MICRO SWITCH
a Honeywell Division

FED. MFG. CODE 91929

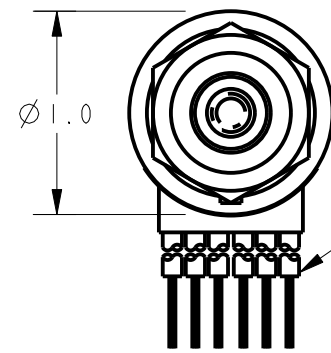
SWITCH - ENCLOSED

CATALOG LISTING

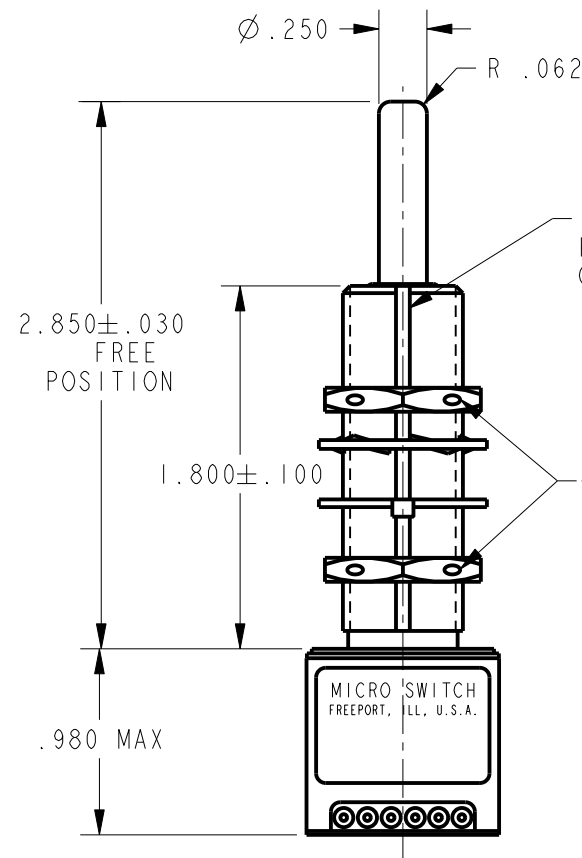
1EN289-3



CIRCUIT DIAGRAM

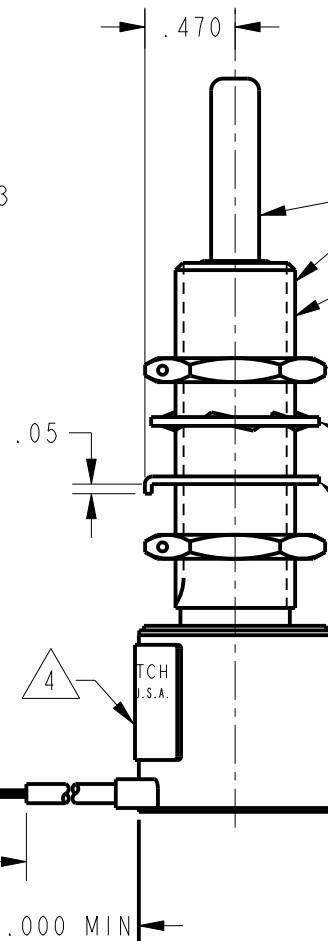


6X NO.20 WIRE LEAD PER MIL-W-22759/7
MARKED WITH CIRCUIT IDENTIFICATION AND WIRE GAGE
(1-20, 2-20 ETC) PER MIL-W-5088



.072 ± .004 WIDE X ∇ .038 ± .003
KEYWAY TO WITHIN .250
OF SHOULDER

Ø.047 HOLE FOR
WIRE LOCKING



CORROSION RESISTANT STEEL PLUNGER AND BUSHING

5/8-24 UNEF THREAD TO WITHIN .125 OF SHOULDER

2X CORROSION RESISTANT STEEL HEX NUT
.812 ACROSS FLATS X .125 THICK ∇ 6

CORROSION RESISTANT STEEL INTERNAL TOOTH
LOCKWASHER, Ø.87 X (.022) THICK ∇ 6

CORROSION RESISTANT STEEL KEYING WASHER
Ø.087 X .040 THICK, TAB .110 WIDE (MS-25081-C6) ∇ 6

PTC/CAD 2D
 DRAWN TSM 1 NOV 00
 CHECK SAV 1 NOV 00
 CHECK AK 21 JUL 04
 REVISIONS
 A 201512 TSM 1 NOV 00
 B 0006608 KR 21 JUL 04
 ISSUE 17
 M
 CATALOG LISTING
 1EN289-3
 PAGE 1 OF 1
 RELEASE NO. PR-1990
 REPLACES -

THIS DRAWING COVERS A PROPRIETARY ITEM AND IS THE PROPERTY OF MICRO SWITCH, A DIVISION OF HONEYWELL. THIS DRAWING IS NOT TO BE COPIED OR USED WITHOUT THE APPROVAL OF MICRO SWITCH

CHARACTERISTICS	
OPERATING FORCE	6-12 LB
FULL OVERTRAVEL FORCE	20 LB MAX
RELEASE FORCE	4 LB MIN
PRETRAVEL	.015-.040
DIFFERENTIAL TRAVEL	.020 MAX
TOTAL TRAVEL	.900 MIN

ELECTRICAL DATA		
CONTACT ARRANGEMENT 2X SPDT		
LOAD	28 VDC	
	SEA LEVEL	50,000 FT.
RES	4	4
IND	2	2
MOTOR	4	

THIRD ANGLE PROJECTION	
SCALE	FULL
DO NOT SCALE PRINT	
UNLESS OTHERWISE SPECIFIED TOLERANCES ARE	
ONE PLACE	(.0) ±.030
TWO PLACE	(.00) ±.015
THREE PLACE	(.000) ±.005
ANGLES	±
WEIGHT	8.5 OZ MAX

NOTES

- 1 - CORROSION RESISTANT STEEL ENCLOSURE
- 2 - SWITCH SEALED PER MIL-PRF-8805 SYMBOL 4
- 3 - COINCIDENCE OF OPERATING AND RELEASING POINTS: .010 OF PLUNGER TRAVEL
- ∇ 4 - CIRCUIT DIAGRAM, CATALOG LISTING AND DATE CODE ARE SHOWN ON NAMEPLATE
- 5 - THIS DESIGN IS FOR INLINE ACTUATION
- ∇ 6 - HARDWARE MAY BE PACKAGED UNASSEMBLED PER MIL-PRF-8805

ANSI Y14.5M-1982 APPLIES