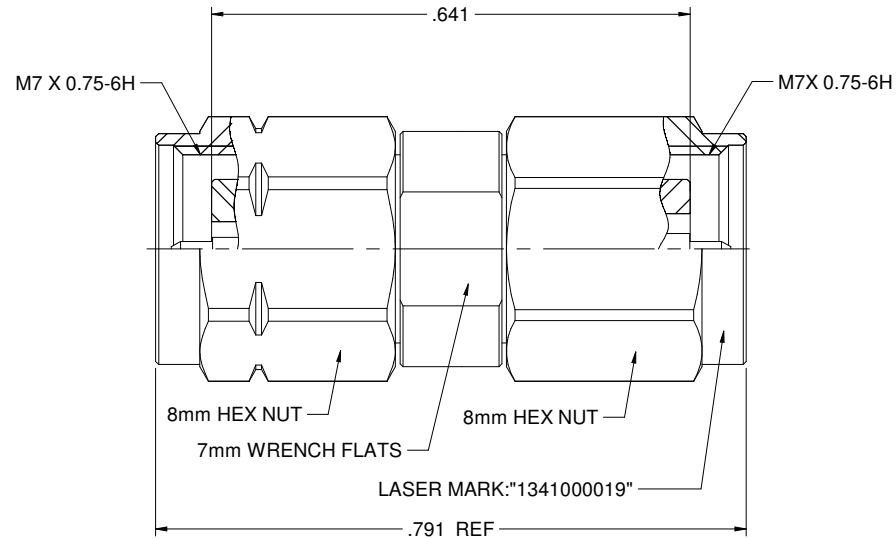


MODEL NO.	PACKAGING
134-1000-019	ONE PCS PER BAG

REV	ECO	DATE
001	ECO-17-0023	12/18/2017



NOTES: UNLESS OTHERWISE SPECIFIED

1. MATERIAL & FINISH:

- 1.1 BODY & SHELL: PASSIVATED STAINLESS STEEL
- 1.2 CONTACT PIN : GOLD PLATED BERYLLIUM COPPER
- 1.3 INSULATOR: ULTEM 1000 AMBER
- 1.4 GASKET: SILICONE RED
- 1.5 C RING: BERYLLIUM COPPER

2. ELECTRICAL:

- 2.1 IMPEDANCE: 50 OHMS
- 2.2 FREQUENCY RANGE: 0-50 GHz
- 2.3 DIELECTRIC WITHSTANDING VOLTAGE: 500 VRMS MIN
- 2.4 VOLTAGE STANDING WAVE RATIO: DC- 26.5GHZ: 1.06 MAX  
26.5- 40 GHZ: 1.10 MAX  
40 - 50 GHZ: 1.15 MAX
- 2.5 CONTACT RESISTANCE: CENTER CONTACT: 4 MILLIOHMS MAX  
OUTER CONTACT: 2.5 MILLIOHMS MAX
- 2.6 INSULATION RESISTANCE: 5000 MOHM MIN

3. MECHANICAL:

- 3.1 ENGAGEMENT/ DISENGAGEMENT FORCE: 0.23 NM MAX
- 3.2 COUPLING PROOF TORQUE: 1.65NM MIN
- 3.3 COUPLING NUT RETENTION FORCE: 267 N MIN
- 3.4 CONTACT RETENTION: 20 N MIN
- 3.5 DURABILITY: 500 CYCLES MIN

4. ENVIRONMENT:

- 4.1 THERMAL SHOCK: MIL-STD-202, METHOD 107, CONDITION B.
- 4.2 OPERATING TEMPERATURE: -55 TO 125 °C
- 4.3 SALT SPRAY: MIL-STD-202, METHOD 101, CONDITION B
- 4.4 SHOCK: MIL-STD-202, METHOD 213, CONDITION I
- 4.5 VIBRATION: MIL-STD-202, METHOD 204, CONDITION D
- 4.6 MOISTURE RESISTANCE: MIL-STD-202, METHOD 106

	Model No. 134-1000-019	<b>Johnson</b>		
	RoHS2 EU 2011/65/EU REACH 2002/61/EC COMPLIANT	Title: ADAPTER ASSEMBLY, 1.85mm PLUG TO 2.4mm PLUG	Drawing No. 134-1000-019	Rev. 001
APPROVED DRAWING IN ACCORDANCE WITH MIL-STD-883C THE DRAWING IS THE PROPERTY OF JOHNSON ELECTRONICS INC.	XXXX ±.02 XXXXX ±.01 ANGLES: 45°	Date: 12/12/2017	Size: C DO NOT SCALE DRAWING DIMENSIONS: NONE	Sheet 1 of 1