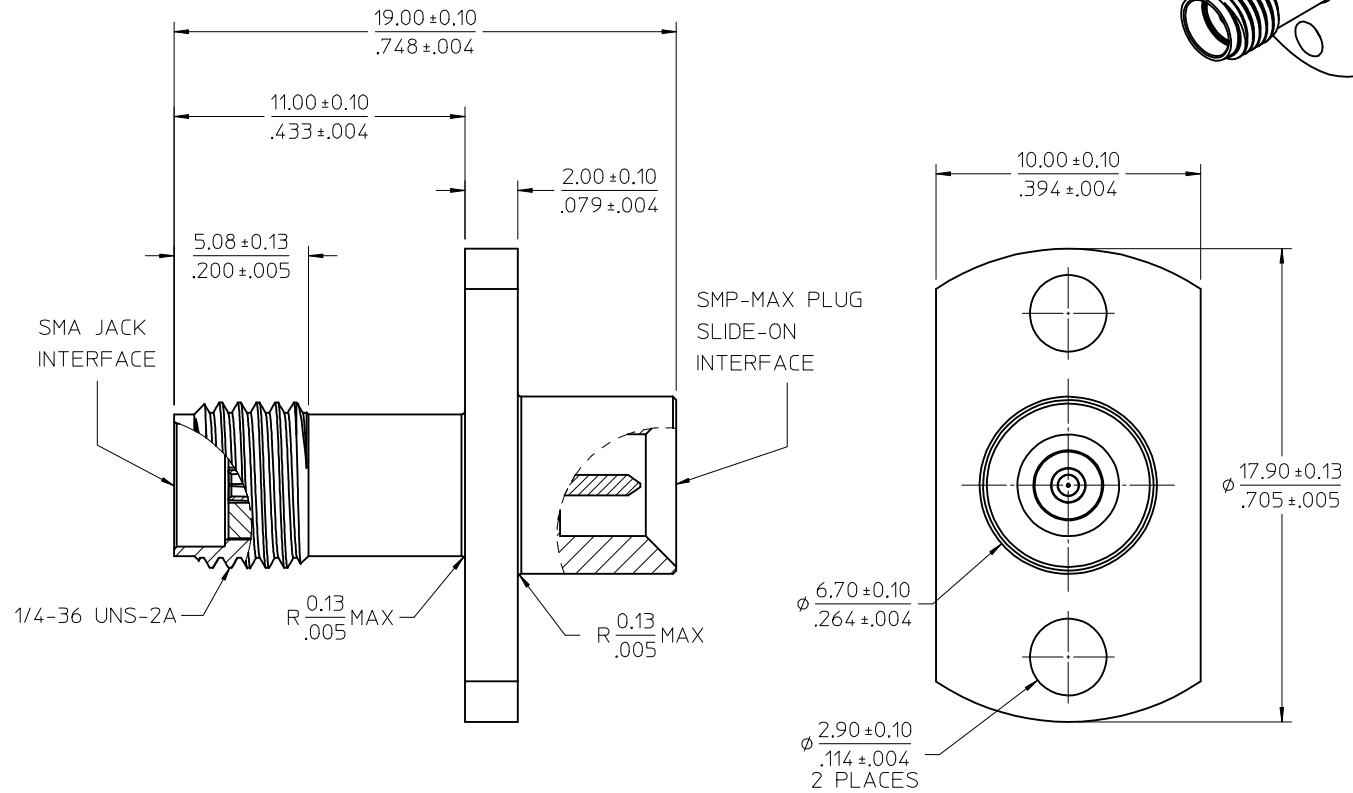
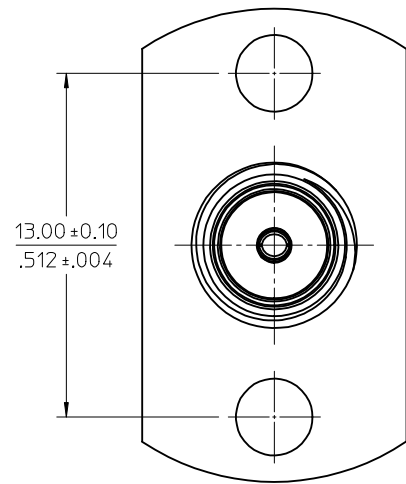
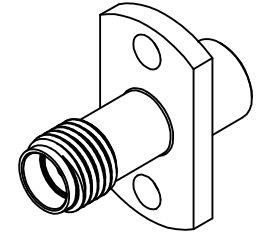


MATERIALS AND FINISHES

BODY: BRASS
PLATED GOLD

CENTER CONTACT: BERYLLIUM COPPER
PLATED GOLD

INSULATORS: TEFLON

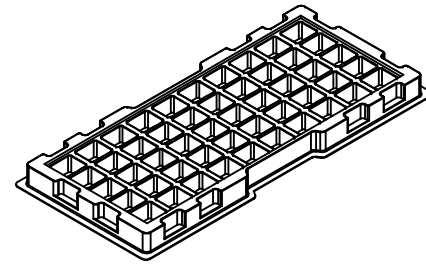


73386-5280	TRAY
PART NO.	PACKAGING

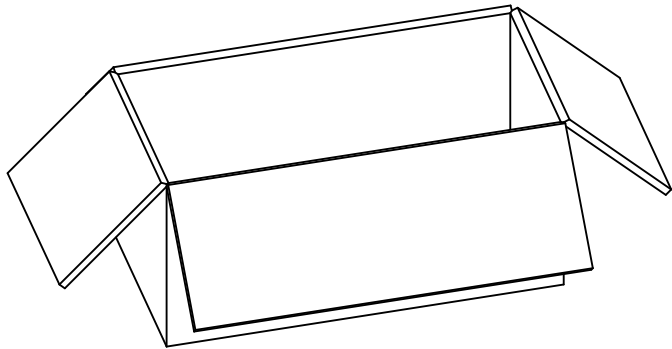
CHG:ADD PACKING SHEET PER RF15-E145 EC NO: URF2015-0480 DRW:RYEH 2015/03/03 CHKD: APPR:YCHENG 2015/03/25	QUALITY SYMBOLS	GENERAL TOLERANCES (UNLESS SPECIFIED)	DIMENSION STYLE	SCALE	DESIGN UNITS	THIRD ANGLE PROJECTION
	∇=0 ∇=0 ∇=0	mm INCH 4 PLACES ± --- ± --- 3 PLACES ± --- ± --- 2 PLACES ± --- ± --- 1 PLACE ± --- ± --- 0 PLACE ± --- ± ---	MM/IN	7:1	METRIC	DRAWN BY DATE RYEH 2014/12/31 CHECKED BY DATE KERRIE 2014/12/31 APPROVED BY DATE YCHENG 2015/01/22
	ANGULAR ± 2° DRAFT WHERE APPLICABLE MUST REMAIN WITHIN DIMENSIONS	MATERIAL NO.	TITLE	BSA SMA J TO SMP-MAX P SLIDE-ON 2H FLANGE BSA-SMAJ/SMPMAXP molex		
	A1	SEE TABLE	DOCUMENT NO.	SD-73386-528 SHEET NO. 1 OF 2		



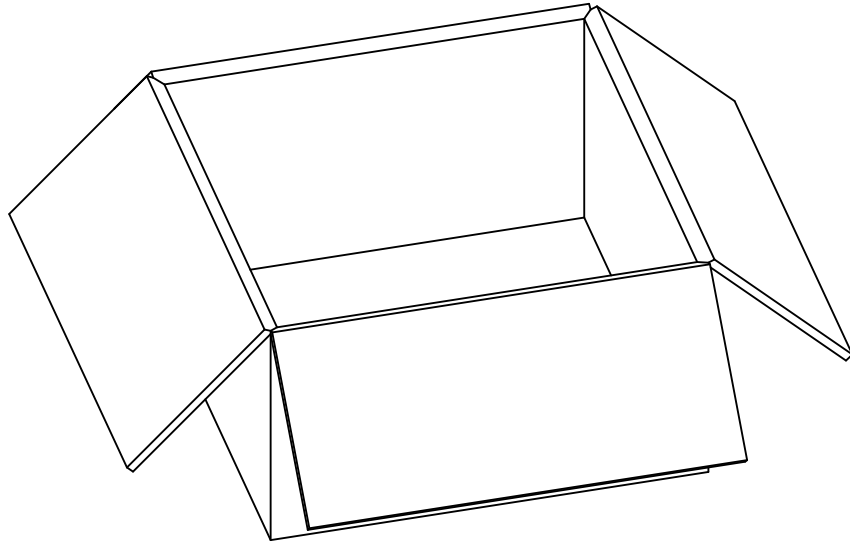
P/N: 73386-5280



50 SETS PER TRAY
P/N: 89707-0343



500 SETS PER INNER
CARTON BOX
P/N: 96707-0001



1000 SETS PER OUTER
CARTON BOX
P/N: 96708-0005

CHG:SEE SHEET 1	DESCRIPTION
EC NO: URF2015-0480	2015/03/25
DRW:RYEH	
CHKD:	
APPR:YCHENG	
REV	
A1	

QUALITY SYMBOLS
= 0
= 0
= 0
= 0
= 0

GENERAL TOLERANCES (UNLESS SPECIFIED)	
	MM/IN
4 PLACES	± --- ± ---
3 PLACES	± --- ± ---
2 PLACES	± --- ± ---
1 PLACE	± --- ± ---
0 PLACE	± --- ± ---
ANGULAR ± 2 °	
DRAFT WHERE APPLICABLE MUST REMAIN WITHIN DIMENSIONS	

DIMENSION STYLE	
MM/IN	
DRAWN BY	DATE
RYEH	2014/12/31
CHECKED BY	DATE
KERRIE	2014/12/31
APPROVED BY	DATE
YCHENG	2015/01/22
MATERIAL NO.	
SEE TABLE	

SCALE	DESIGN UNITS	THIRD ANGLE PROJECTION
1.5:1	METRIC	
TITLE		
BSA SMA J TO SMP-MAX P SLIDE-ON 2H FLANGE BSA-SMAJ/SMPMAXP		
molex		
DOCUMENT NO.	SHEET NO.	
SD-73386-528	2 OF 2	
THIS DRAWING CONTAINS INFORMATION THAT IS PROPRIETARY TO MOLEX INCORPORATED AND SHOULD NOT BE USED WITHOUT WRITTEN PERMISSION		