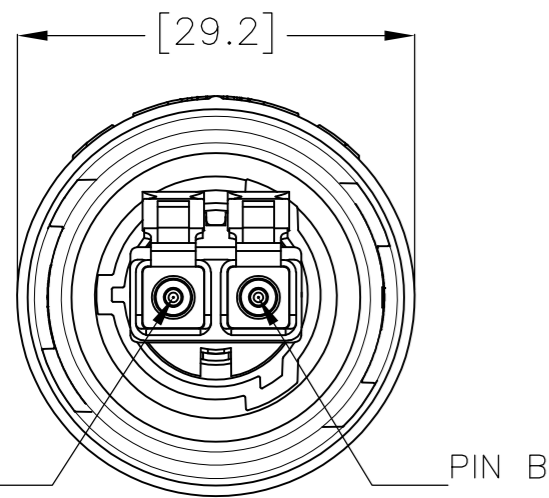
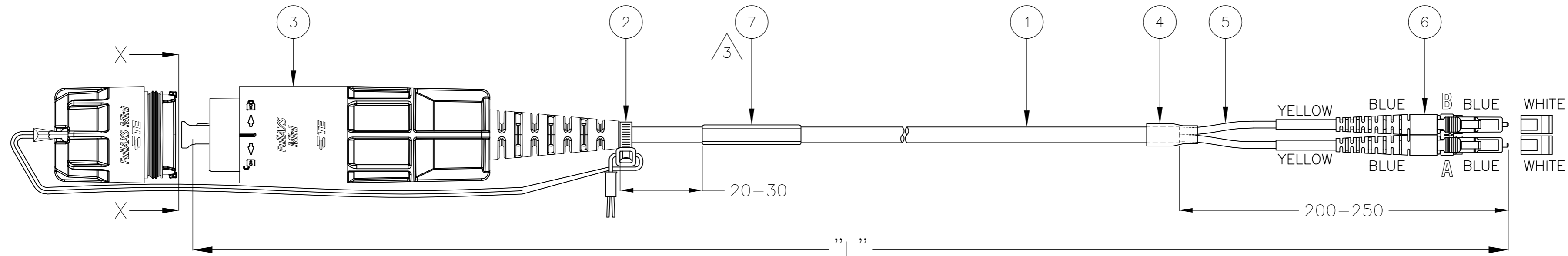


THIS DRAWING IS UNPUBLISHED. RELEASED FOR PUBLICATION
 © COPYRIGHT - By - ALL RIGHTS RESERVED.

LOC	DIST	REVISIONS			
P	LTR	DESCRIPTION	DATE	DWN	APVD
H	-	1	CONCEPTUAL DRAWING	27MAY15	RC SB



VIEW X-X
(DUST CAPS NOT SHOWN)

ASSEMBLY CONNECTIVITY	
FULLAXS MINI	LC CONN.
PIN A	B
PIN B	A

STANDARD LENGTHS ACCORDING TO CUSTOMER DRAWING 1206850	
PART NUMBER	"L" (meter)
X-2061980-Y	XY.0

PRELIMINARY PART
 NOT RELEASED FOR PRODUCTION
 THIS PRODUCT HAS NOT COMPLETED
 VALIDATION TESTING

NOTES:

- MAX. CONNECTOR ATTENUATION 0.3 dB, MEASURED AT 1310 nm AND 1550 nm ACCORDING TO I.E.C. 61300-3-4 INSERTION METHOD B
- MIN. RETURN LOSS 45 dB, IN MATED CONDITION AGAINST REFERENCE CONNECTOR AT 1310 nm AND 1550 nm
- INFORMATION ON LABEL, SEE DETAIL FOR EXAMPLE
 - BARCODE
 - UNIQUE TE SERIAL NUMBER
 - ASSEMBLY LENGTH
 - TE CONNECTIVITY PART NUMBER & ORDER NUMBER
- CABLE INFORMATION:
 - CORE DIAMETER: 9/125 μm (2x)
 - OUTER JACKET DIAMETER: 4.8 mm
 - OUTER JACKET COLOUR: BLACK
 - OUTER JACKET MATERIAL: HALOGEN FREE FLAME RETARDANT
 - CABLE ATTENUATION: 0.40 dB/km @ 1310 nm OR 0.25 dB/km @ 1550 nm

Qty	Description	Item
1	INFORMATION LABEL	7
1	LC DUPLEX CONNECTOR, SINGLE MODE, BLUE	6
2	PROTECTIVE TUBING, BLACK	5
1	HEAT SHRINK TUBING, BLACK	4
1	FULLAXS MINI LC DUPLEX PLUG ASSEMBLY, SM, WITH CAP, BLACK	3
1	FULLAXS MINI STOPPER, CABLE TIE	2
L	FOCAB Ø4.8 mm, 2FOLD, SINGLE MODE G657.A2, BLACK	1

△ LABEL DETAIL:



THIS DRAWING IS A CONTROLLED DOCUMENT.		DWN R. COOLEN	10DEC2014	TE Connectivity	
DIMENSIONS: mm		CHK -	APVD S. BORGAS	FIBER OPTIC LEAD 4.8 mm	
TOLERANCES UNLESS OTHERWISE SPECIFIED:		PRODUCT SPEC		FULLAXS MINI LC/DPX - LC/DPX SINGLE MODE G657.A2	
0 PLC ± -		APPLICATION SPEC		SIZE A2	CAGE CODE 00779
1 PLC ± -		WEIGHT -		DRAWING NO C=2061980	
2 PLC ± -		CUSTOMER DRAWING		SCALE NTS	SHEET 1 of 1
3 PLC ± -				REV 1	
4 PLC ± -					
ANGLES ± -					
FINISH -					