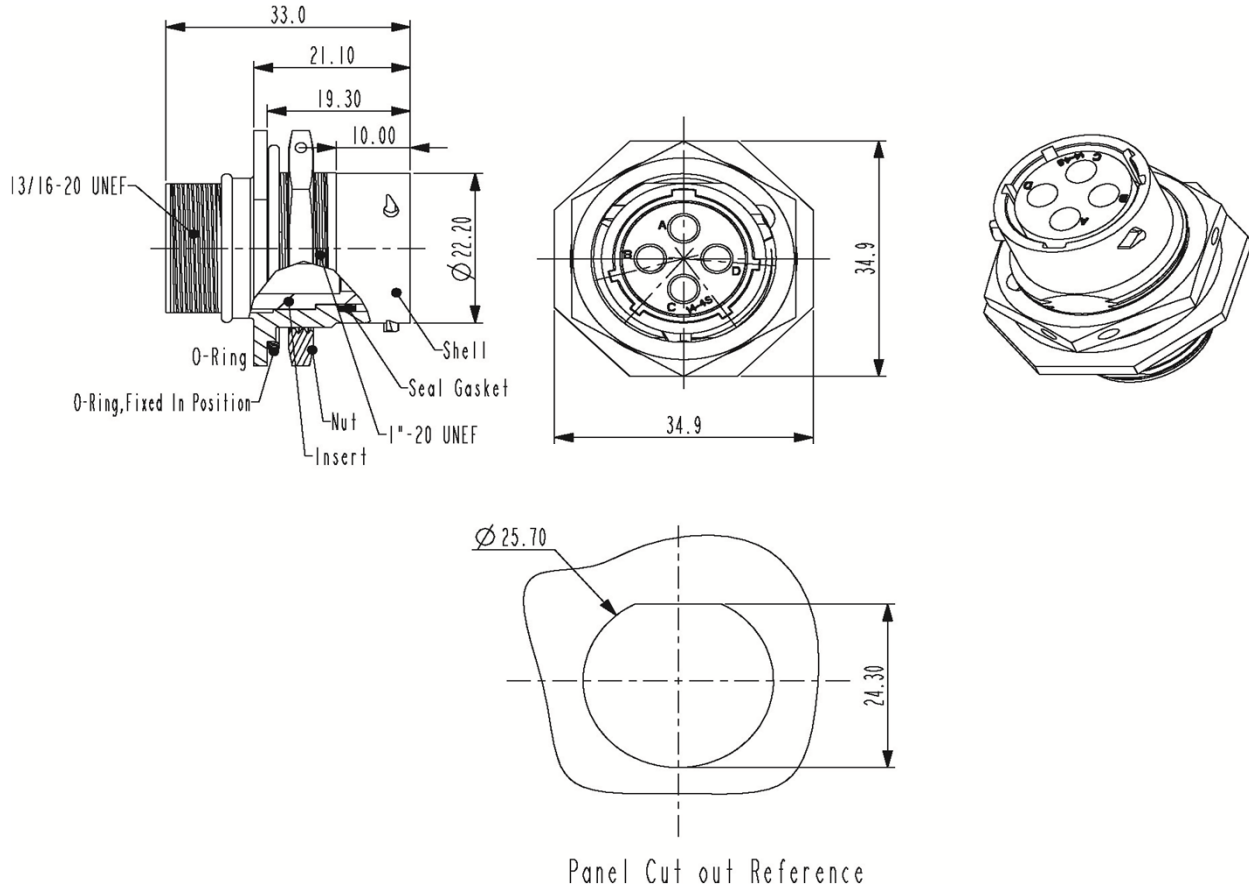


CONFIGURATION	PART NUMBER
Female Jamnut Receptacle, 4 Pin, 2.5mm, Shell 14	RT07144SNH

DIMENSIONS



TECHNICAL DATA

TEMPERATURE RANGE:	-40°C to + 105°C
PROTECTION:	IP67 in mated condition and in combination with sealed backshell
VOLTAGE RATING:	350V
HOUSING BODY:	Zinc Alloy, Nickel Plated
COUPLING NUT:	
INSERT:	Glass-filled Thermoplastic UL94-V0
SEAL:	NBR
CURRENT:	23A
CONTACT SIZE:	2.5mm
APPROVALS:	UL ECBT2