

WIRELESS & SENSING

# SX1501/SX1502/SX1503

## 4/8/16 Channel Low Voltage GPIO with NINT and NRESET

### GENERAL DESCRIPTION

The SX1501, SX1502 and SX1503 are complete ultra low voltage General Purpose parallel Input/Output (GPIO) expanders ideal for low power handheld battery powered equipment. They allow easy serial expansion of I/O through a standard I<sup>2</sup>C interface. GPIO devices can provide additional control and monitoring when the microcontroller or chipset has insufficient I/O ports, or in systems where serial communication and control from a remote location is advantageous.

These devices can also act as a level shifter to connect a microcontroller running at one voltage level to a component running at a different voltage level. The core is operating as low as 1.2V while the I/O banks can operate between 1.2V and 5.5V independent of the core voltage and each other.

Each GPIO is programmable via 8-bit configuration registers. Data registers, direction registers, pull-up/pull-down registers, interrupt mask registers and interrupt registers allow the system master to program and configure 4 or 8 or 16-GPIOs using a standard 400kHz I<sup>2</sup>C interface.

The SX1501, SX1502 and SX1503 offer a unique fully programmable logic functions like a PLD to give more flexibility and reduce external logic gates used for standard applications.

The SX1501, SX1502 and SX1503 have the ability to generate mask-programmable interrupts based on falling/rising edge of any of its GPIO lines. A dedicated pin indicates to a host controller that a state change occurred in one or more of the GPIO lines.

The SX1501, SX1502 and SX1503 each come in a small QFN-UT-20/28 package. All devices are rated from -40°C to +85°C temperature range.

### ORDERING INFORMATION

Part Number	I/O Channels	Package
SX1501I087TRT	4	QFN-UT-20
SX1502I087TRT	8	QFN-UT-20
SX1503I091TRT	16	QFN-UT-28
SX1502EVK <sup>(1)</sup>	8	Evaluation Kit

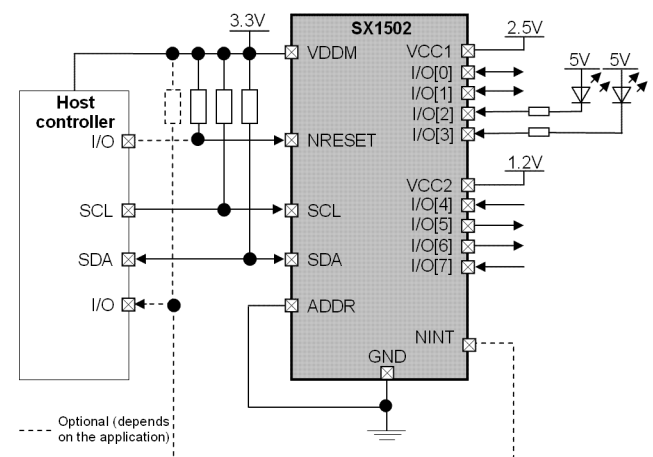
<sup>(1)</sup>SX1502I087TRT based, unique evaluation kit for the three parts.

### KEY PRODUCT FEATURES

- 4/8/16 channel of I/Os
  - True bi-directional style I/O
  - Programmable Pull-up/Pull-down
  - Push/Pull outputs
- 1.2V to 5.5V independent operating voltage for all supply rails (VDDM, VCC1, VCC2)
- 5.5V compatible I/Os, up to 24mA output sink (no total sink current limit)
- Fully programmable logic functions (PLD)
- 400kHz 2-wire I<sup>2</sup>C compatible slave interface
- Open drain active low interrupt output (NINT)
  - Bit maskable
  - Programmable edge sensitivity
- Power-On Reset and reset input (NRESET)
- Ultra low current consumption of typ. 1uA
- -40°C to +85°C operating temperature range
- Ultra-Thin 3x3mm QFN-UT-20 package (SX1501/SX1502)
- Ultra-Thin 4x4mm QFN-UT-28 package (SX1503)

### TYPICAL APPLICATIONS

- Cell phones, PDAs, MP3 players
- Digital camera
- Portable multimedia player
- Notebooks
- GPS Units
- Industrial, ATE
- Any battery powered equipment



**Table of Contents**

<b>GENERAL DESCRIPTION</b> .....	<b>1</b>
<b>ORDERING INFORMATION</b> .....	<b>1</b>
<b>KEY PRODUCT FEATURES</b> .....	<b>1</b>
<b>TYPICAL APPLICATIONS</b> .....	<b>1</b>
<b>1 PIN DESCRIPTION</b> .....	<b>4</b>
1.1 SX1501 4-channel GPIO	4
1.2 SX1502 8-channel GPIO	5
1.3 SX1503 16-channel GPIO	6
<b>2 ELECTRICAL CHARACTERISTICS</b> .....	<b>7</b>
2.1 Absolute Maximum Ratings	7
2.2 Electrical Specifications	7
2.2.1 Increasing I/O Sink and Source Current Capabilities (Boost Mode)	9
<b>3 TYPICAL OPERATING CHARACTERISTICS</b> .....	<b>10</b>
3.1 IDDM vs. VDDM	10
3.2 VOL vs. IOL	10
3.3 VOH vs. IOH	11
3.4 ICC1+ICC2 vs. VCC1,2 when Boost Mode is ON	12
<b>4 BLOCK DETAILED DESCRIPTION</b> .....	<b>13</b>
4.1 SX1501 4-channel GPIO	13
4.2 SX1502 8-channel GPIO	13
4.3 SX1503 16-channel GPIO	14
4.4 Reset (NRESET)	14
4.5 2-Wire Interface (I <sup>2</sup> C)	15
4.5.1 WRITE	15
4.5.2 READ	16
4.5.3 READ - STOP separated format (SX1501 and SX1502 only)	16
4.6 Interrupt (NINT)	17
4.7 Programmable Logic Functions (PLD)	17
4.7.1 SX1501	17
4.7.2 SX1502	18
4.7.3 SX1503	18
4.7.4 Tutorial	19
<b>5 CONFIGURATION REGISTERS</b> .....	<b>20</b>
5.1 SX1501 4-channel GPIO	20
5.2 SX1502 8-channel GPIO	21
5.3 SX1503 16-channel GPIO	23
<b>6 APPLICATION INFORMATION</b> .....	<b>27</b>
6.1 Typical Application Circuit	27
6.2 Typical LED Operation	27
6.2.1 LED ON/OFF Control	27
6.2.2 LED Intensity Control	28
6.3 Keypad Implementation	28
6.4 Level Shifter Implementation Hints	28

**WIRELESS & SENSING**

<b>7</b>	<b>PACKAGING INFORMATION .....</b>	<b>29</b>
7.1	QFN-UT 20-pin Outline Drawing	29
7.2	QFN-UT 20-pin Land Pattern	29
7.3	QFN-UT 28-pin Outline Drawing	30
7.4	QFN-UT 28-pin Land Pattern	30
<b>8</b>	<b>SOLDERING PROFILE .....</b>	<b>31</b>

WIRELESS & SENSING

1 PIN DESCRIPTION

1.1 SX1501 4-channel GPIO

Pin	Symbol	Type	Description
1	NRESET	DIO	Active low reset
2	SDA	DIO	I <sup>2</sup> C serial data line
3	NC1	-	Leave open, not connected
4	SCL	DI	I <sup>2</sup> C serial clock line
5	I/O[0]	DIO <sup>(*)</sup>	I/O[0], at power-on configured as an input
6	I/O[1]	DIO <sup>(*)</sup>	I/O[1], at power-on configured as an input
7	VCC1	P	I/O supply voltage
8	GND	P	Ground Pin
9	I/O[2]	DIO <sup>(*)</sup>	I/O[2], at power-on configured as an input High sink I/O.
10	I/O[3]	DIO <sup>(*)</sup>	I/O[3], at power-on configured as an input High sink I/O.
11	NINT	DO	Active low interrupt output
12	ADDR	DI	Address input, connect to VDDM or GND
13	NC2	-	Leave open, not connected
14	VDDM	P	Main supply voltage
15	NC3	-	Leave open, not connected
16	NC4	-	Leave open, not connected
17	NC7	-	Connect to VCC1
18	GND	P	Ground Pin
19	NC5	-	Leave open, not connected
20	NC6	-	Leave open, not connected

A: Analog  
D: Digital  
I: Input  
O: Output  
P: Power

(\*1) This pin is programmable through the I<sup>2</sup>C interface

Table 1 – SX1501 Pin Description

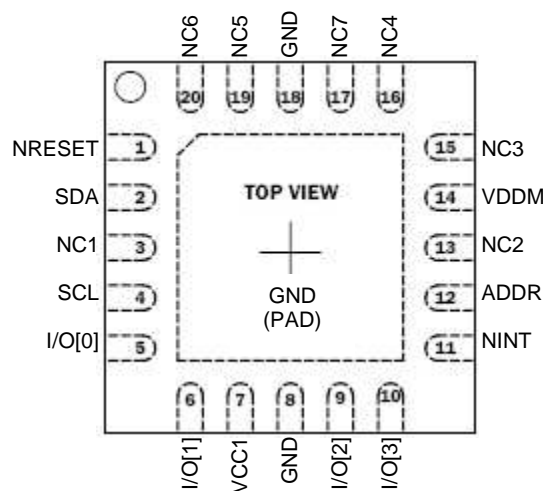


Figure 1 – SX1501 QFN-UT-20 Pinout

**WIRELESS & SENSING**

**1.2 SX1502 8-channel GPIO**

Pin	Symbol	Type	Description
1	NRESET	DIO	Active low reset
2	SDA	DIO	I <sup>2</sup> C serial data line
3	NC1	-	Leave open, not connected
4	SCL	DI	I <sup>2</sup> C serial clock line
5	I/O[0]	DIO (*)	I/O[0], at power-on configured as an input
6	I/O[1]	DIO (*)	I/O[1], at power-on configured as an input
7	VCC1	P	Supply voltage for Bank A I/O[0-3]
8	GND	P	Ground Pin
9	I/O[2]	DIO (*)	I/O[2], at power-on configured as an input High sink I/O.
10	I/O[3]	DIO (*)	I/O[3], at power-on configured as an input High sink I/O.
11	NINT	DO	Active low interrupt output
12	ADDR	DI	Address input, connect to VDDM or GND
13	NC2	-	Leave open, not connected
14	VDDM	P	Main supply voltage
15	I/O[4]	DIO (*)	I/O[4], at power-on configured as an input
16	I/O[5]	DIO (*)	I/O[5], at power-on configured as an input
17	VCC2	P	Supply voltage for Bank B I/O[4-7]
18	GND	P	Ground Pin
19	I/O[6]	DIO (*)	I/O[6], at power-on configured as an input
20	I/O[7]	DIO (*)	I/O[7], at power-on configured as an input

A: Analog  
D: Digital  
I: Input  
O: Output  
P: Power

(\*1) This pin is programmable through the I<sup>2</sup>C interface

Table 2 – SX1502 Pin Description

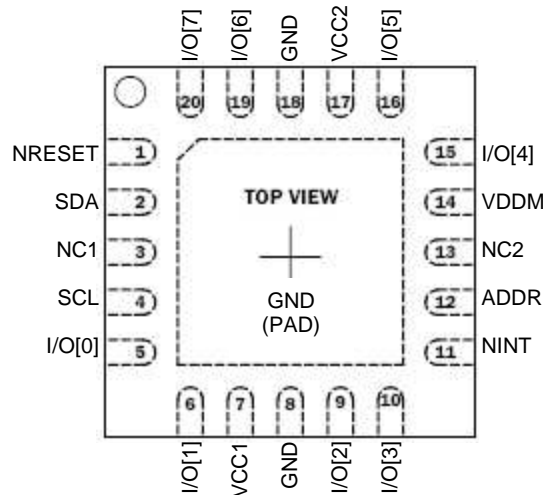


Figure 2 – SX1502 QFN-UT-20 Pinout

**WIRELESS & SENSING**

**1.3 SX1503 16-channel GPIO**

Pin	Symbol	Type	Description
1	GND	P	Ground Pin
2	I/O[2]	DIO (*)	I/O[2], at power-on configured as an input
3	I/O[3]	DIO (*)	I/O[3], at power-on configured as an input
4	VCC1	P	I/O supply voltage for Bank A I/O[0-7]
5	I/O[4]	DIO (*)	I/O[4], at power-on configured as an input
6	I/O[5]	DIO (*)	I/O[5], at power-on configured as an input
7	GND	P	Ground Pin
8	I/O[6]	DIO (*)	I/O[6], at power-on configured as an input High sink I/O.
9	I/O[7]	DIO (*)	I/O[7], at power-on configured as an input High sink I/O.
10	NINT	DO	Active low interrupt output
11	NC	-	Leave open, not connected
12	VDDM	P	Main supply voltage
13	I/O[8]	DIO (*)	I/O[8], at power-on configured as an input
14	I/O[9]	DIO (*)	I/O[9], at power-on configured as an input
15	GND	P	Ground Pin
16	I/O[10]	DIO (*)	I/O[10], at power-on configured as an input
17	I/O[11]	DIO (*)	I/O[11], at power-on configured as an input
18	VCC2	P	I/O supply voltage for Bank B I/O[8-15]
19	I/O[12]	DIO (*)	I/O[12], at power-on configured as an input
20	I/O[13]	DIO (*)	I/O[13], at power-on configured as an input
21	GND	P	Ground Pin
22	I/O[14]	DIO (*)	I/O[14], at power-on configured as an input High sink I/O.
23	I/O[15]	DIO (*)	I/O[15], at power-on configured as an input High sink I/O.
24	NRESET	DIO	Active low reset
25	SDA	DIO	I <sup>2</sup> C serial data line
26	SCL	DI	I <sup>2</sup> C serial clock line
27	I/O[0]	DIO (*)	I/O[0], at power-on configured as an input
28	I/O[1]	DIO (*)	I/O[1], at power-on configured as an input

A: Analog  
D: Digital  
I: Input  
O: Output  
P: Power

(\*) This pin is programmable through the I<sup>2</sup>C interface

Table 3 – SX1503 Pin Description

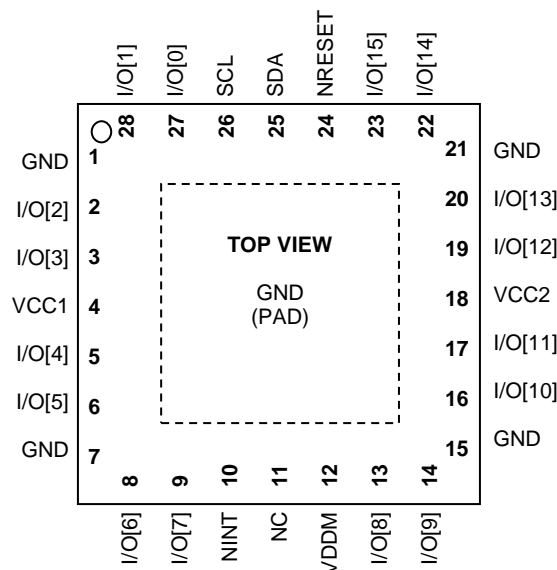


Figure 3 – SX1503 QFN-UT-28 Pinout

**WIRELESS & SENSING**
**2 ELECTRICAL CHARACTERISTICS**
**2.1 Absolute Maximum Ratings**

Stress above the limits listed in the following table may cause permanent failure. Exposure to absolute ratings for extended time periods may affect device reliability. The limiting values are in accordance with the Absolute Maximum Rating System (IEC 134). All voltages are referenced to ground (GND).

Symbol	Description	Min	Max	Unit
VDDM <sub>max</sub>	Main supply voltage	- 0.4	6.0	V
VCC1,2 <sub>max</sub>	I/O banks supply voltage	- 0.4	6.0	V
V <sub>ESD HBM</sub>	Electrostatic handling HBM model <sup>(1)</sup>	-	1500	V
V <sub>ESD CDM</sub>	Electrostatic handling CDM model	-	300	V
V <sub>ESD MM</sub>	Electrostatic handling MM model	-	200	V
T <sub>A</sub>	Operating Ambient Temperature Range	-40	+85	°C
T <sub>C</sub>	Junction Temperature Range	-40	+125	°C
T <sub>STG</sub>	Storage Temperature Range	-55	+150	°C
I <sub>lat</sub>	Latchup-free input pin current <sup>(2)</sup>	+/-100	-	mA

(1) Tested according to JESD22-A114A

(2) Static latch-up values are valid at maximum temperature according to JEDEC 78 specification

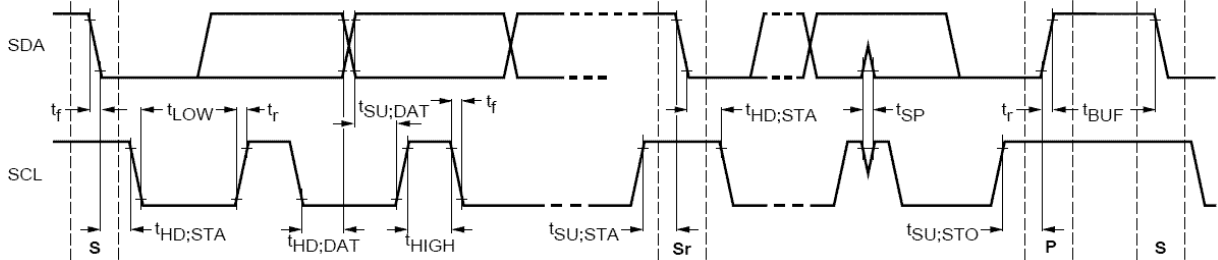
*Table 4 - Absolute Maximum Ratings*

**2.2 Electrical Specifications**

Table below applies to default registers values (Boost Mode Off), unless otherwise specified. Typical values are given for T<sub>A</sub> = +25°C, VDDM=VCC1=VCC2=3.3V.

Symbol	Description	Conditions	Min	Typ	Max	Unit
<b>Supply</b>						
VDDM	Main supply voltage	-	1.2	-	5.5	V
VCC1,2	I/O banks supply voltage	-	1.2	-	5.5	V
IDDM	Main supply current (I <sup>2</sup> C inactive)	-	-	1	5	µA
ICC1,2	I/O banks supply current <sup>(1)</sup>	VCC1,2 ≥ 2V	-	1	2	µA
		VCC1,2 < 2V	-	0.5	1	
<b>I/Os set as Input</b>						
VIH	High level input voltage	-	0.7* VCC1,2	-	VCC1,2 +0.3	V
VIL	Low level input voltage	-	-0.4	-	0.3* VCC1,2	V
VHYS	Hysteresis of Schmitt trigger	-	-	0.1* VCC1,2	-	V
ILEAK	Input leakage current	Assuming no active pull-up/down	-1.5	-	1.5	µA
CI	Input capacitance	-	-	-	10	pF
<b>I/Os set as Output</b>						
VOH	High level output voltage	-	VCC1,2 - 0.3	-	VCC1,2	V
VOL	Low level output voltage	-	-0.4	-	0.3	V
IOH	High level output source current	VCC1,2 ≥ 2V	-	-	8	mA
		VCC1,2 < 2V	-	-	0.3 <sup>(2)</sup>	
IOL	Low level output sink current for the high sink I/Os	VCC1,2 ≥ 2V	-	-	24	mA
		VCC1,2 < 2V	-	-	6 <sup>(2)</sup>	
IOL	Low level output sink current for the other I/Os.	VCC1,2 ≥ 2V	-	-	12	mA
		VCC1,2 < 2V	-	-	6	
t <sub>PV</sub>	Output data valid timing	Cf. Figure 9	-	-	1.5	µs
<b>NINT (Output)</b>						
VOL	Low level output voltage	-	-	-	0.3	V
IOL <sub>M</sub>	Low level output sink current	VDDM ≥ 2V	-	-	12	mA
		VDDM < 2V	-	-	6	
t <sub>IV</sub>	Interrupt valid timing	From input data change	-	-	1	µs

**WIRELESS & SENSING**

Symbol	Description	Conditions	Min	Typ	Max	Unit
$t_{IR}$	Interrupt reset timing	From RegInterruptSource clearing	-	-	2	$\mu$ s
<b>NRESET (Input/Output)</b>						
VOL	Low level output voltage	-	-	-	0.3	V
IOL <sub>M</sub>	Low level output sink current	VDDM $\geq$ 2V	-	-	12	mA
		VDDM < 2V	-	-	6	
VIH <sub>MR</sub>	High level input voltage	-	0.7* VDDM	-	5.5	V
VIL <sub>M</sub>	Low level input voltage	-	-0.4	-	0.3* VDDM	V
VHYS <sub>M</sub>	Hysteresis of Schmitt trigger	-	-	0.1* VDDM	-	V
ILEAK	Input leakage current	-	-1.5	-	1.5	$\mu$ A
CI	Input capacitance	-	-	-	10	pF
VPOR	Power-On-Reset voltage	Cf. Figure 7	0.7	-	0.9	V
VDROPH	High brown-out voltage	Cf. Figure 7	-	VDDM-1	-	V
VDROPL	Low brown-out voltage	Cf. Figure 7	-	0.2	-	V
$t_{RESET}$	Reset time	Cf. Figure 7	-	-	7	ms
$t_{PULSE}$	Reset pulse from host uC	Cf. Figure 7	300	-	-	ns
<b>ADDR (Input)</b>						
VIH <sub>MA</sub>	High level input voltage	-	0.7* VDDM	-	VDDM +0.3	V
VIL <sub>M</sub>	Low level input voltage	-	-0.4	-	0.3* VDDM	V
VHYS <sub>M</sub>	Hysteresis of Schmitt trigger	-	-	0.1* VDDM	-	V
ILEAK	Input leakage current	-	-1.5	-	1.5	$\mu$ A
CI	Input capacitance	-	-	-	10	pF
<b>SCL (Input) and SDA (Input/Output) <sup>(3)</sup></b>						
Interface complies with slave F/S mode I <sup>2</sup> C interface as described by Philips I <sup>2</sup> C specification version 2.1 dated January, 2000. Please refer to that document for more detailed I <sup>2</sup> C specifications.						
						
VOL	Low level output voltage	-	-	-	0.3	V
IOL <sub>M</sub>	Low level output sink current	VDDM $\geq$ 2V	-	-	12	mA
		VDDM < 2V	-	-	6	
VIH <sub>MR</sub>	High level input voltage	-	0.7* VDDM	-	5.5	V
VIL <sub>M</sub>	Low level input voltage	-	-0.4	-	0.3* VDDM	V
$f_{SCL}$	SCL clock frequency	-	0	-	400	kHz
$t_{HD:STA}$	Hold time (repeated) START condition	-	0.6	-	-	$\mu$ s
$t_{LOW}$	LOW period of the SCL clock	-	1.3	-	-	$\mu$ s
$t_{HIGH}$	HIGH period of the SCL clock	VDDM $\geq$ 1.3V	0.6	-	-	$\mu$ s
		VDDM < 1.3V	1	-	-	
$t_{SU:STA}$	Set-up time for a repeated START condition	-	0.6	-	-	$\mu$ s
$t_{HD:DAT}$	Data hold time	-	0 <sup>(4)</sup>	-	0.9 <sup>(5)</sup>	$\mu$ s
$t_{SU:DAT}$	Data set-up time	-	100 <sup>(6)</sup>	-	-	
$t_r$	Rise time of both SDA and SCL signals	-	20+0.1C <sub>b</sub> <sup>(7)</sup>	-	300	ns



**WIRELESS & SENSING**

Symbol	Description	Conditions	Min	Typ	Max	Unit
$t_f$	Fall time of both SDA and SCL signals	-	$20+0.1C_b^{(7)}$	-	300	ns
$t_{SU;STO}$	Set-up time for STOP condition	-	0.6	-	-	$\mu$ s
$t_{BUF}$	Bus free time between a STOP and START condition	-	1.3	-	-	$\mu$ s
$C_b$	Capacitive load for each bus line	-	-	-	400	pF
$V_{nL}$	Noise margin at the LOW level for each connected device (including hysteresis)	-	$0.1*V_{DDM}$	-	-	V
$V_{nH}$	Noise margin at the HIGH level for each connected device (including hysteresis)	-	$0.2*V_{DDM}$	-	-	V
<b>Miscellaneous</b>						
RPULL	Programmable pull-up/down resistors for IO[0-7]	-	-	60	-	k $\Omega$
$t_{PLD}$	PLD propagation delay	$V_{CC1,2} \& V_{DDM} = 5V$	-	-	25	ns
		$V_{CC1,2} \& V_{DDM} = 1.2V$	-	-	500	

(1) Assuming no load connected to outputs and inputs fixed to VCC1,2 or GND.

(2) Can be increased in RegAdvanced register. Please refer to §2.2.1 for more details.

(3) All values referred to  $V_{IH_{MR\ min}}$  and  $V_{IL_{M\ max}}$  levels.

(4) A device must internally provide a hold time of at least 300ns for the SDA signal (referred to  $V_{IH_{MR\ min}}$ ) to bridge the undefined region of the falling edge of SCL.

(5) The maximum  $t_{HD;DAT}$  has only to be met if the device does not stretch the LOW period ( $t_{LOW}$ ) of the SCL signal.

(6) A Fast-mode I<sup>2</sup>C-bus device can be used in a Standard-mode I<sup>2</sup>C-bus system, but the requirement  $t_{SU;DAT} \geq 250$  ns must then be met. This will automatically be the case if the device does not stretch the LOW period of the SCL signal.

If such a device does stretch the LOW period of the SCL signal, it must output the next data bit to the SDA line  $t_{r\ max} + t_{SU;DAT} = 1000 + 250 = 1250$  ns (according to the Standard-mode I<sup>2</sup>C-bus specification) before the SCL line is released.

(7)  $C_b$  = total capacitance of one bus line in pF. If mixed with Hs-mode devices, faster fall-times are allowed.

*Table 5 – Electrical Specifications*

### 2.2.1 Increasing I/O Sink and Source Current Capabilities (Boost Mode)

When bit 1 of RegAdvanced register is set, max IOH and IOL spec **when VCC1,2 is below VBOOST** can be increased together with IDDM and ICC1,2 figures as described below.

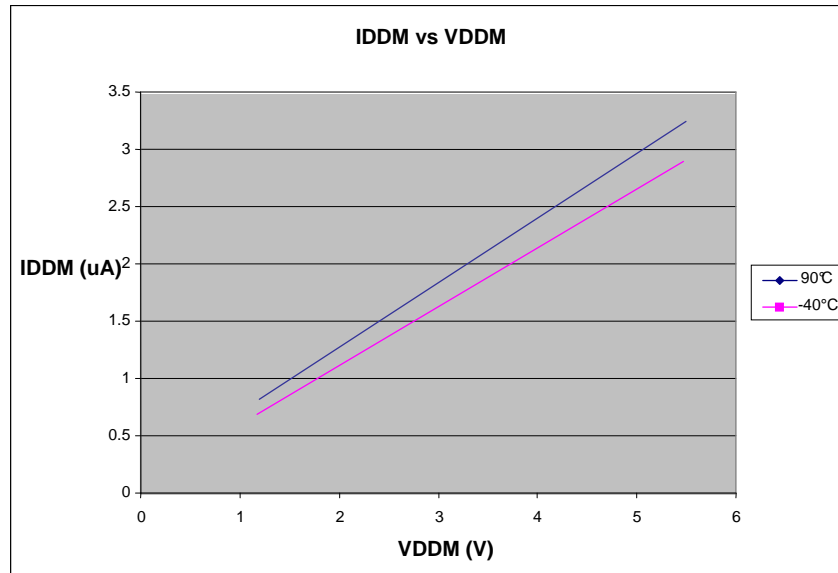
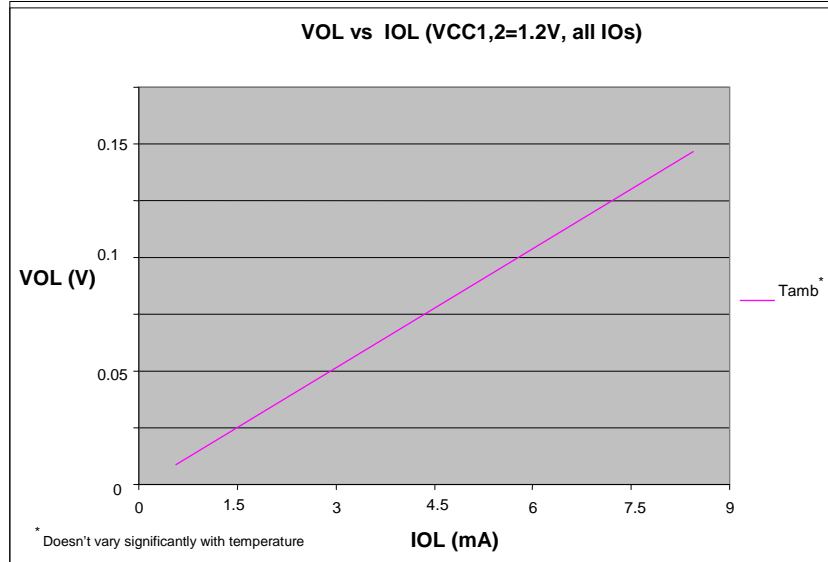
Symbol	Description	Conditions	Min	Typ	Max	Unit	
<b>Supply</b>							
VBOOST	Low voltage boost threshold	-	2.0	2.6	-	V	
IDDM	Main supply current (I <sup>2</sup> C inactive)	$V_{DDM} = 5.5V$ ( $V_{CC1,2} < 2V$ )	-	150	250	$\mu$ A	
		$V_{DDM} = 1.2V$ ( $V_{CC1,2} < 2V$ )	-	25	50	$\mu$ A	
ICC1	I/O bank A supply current	SX1501/2	$V_{CC1} = 2V$	-	250	550	$\mu$ A
			$V_{CC1} = 1.2V$	-	100	200	
		SX1503	$V_{CC1} = 2V$	-	250	550	
			$V_{CC1} = 1.2V$	-	100	200	
ICC2	I/O bank B supply current	SX1502	$V_{CC2} = 2V$	-	150	250	$\mu$ A
			$V_{CC2} = 1.2V$	-	50	150	
		SX1503	$V_{CC2} = 2V$	-	250	450	
			$V_{CC2} = 1.2V$	-	100	200	
<b>I/Os set as Output</b>							
IOH	High level output source current for all I/Os	$V_{CC1,2} \geq V_{BOOST}$	-	-	8	mA	
		$V_{CC1,2} < V_{BOOST}$	-	-	4		
IOL	Low level output sink current for the high sink I/Os	$V_{CC1,2} \geq V_{BOOST}$	-	-	24	mA	
		$V_{CC1,2} < V_{BOOST}$	-	-	12		
	Low level output sink current for the other I/Os	$V_{CC1,2} \geq V_{BOOST}$	-	-	12	mA	
		$V_{CC1,2} < V_{BOOST}$	-	-	6		
<b>NINT, NRESET</b>							
IOL <sub>M</sub>	Low level output sink current for NINT, NRESET	$V_{DDM} \geq V_{BOOST}$	-	-	12	mA	
		$V_{DDM} < V_{BOOST}$	-	-	6		

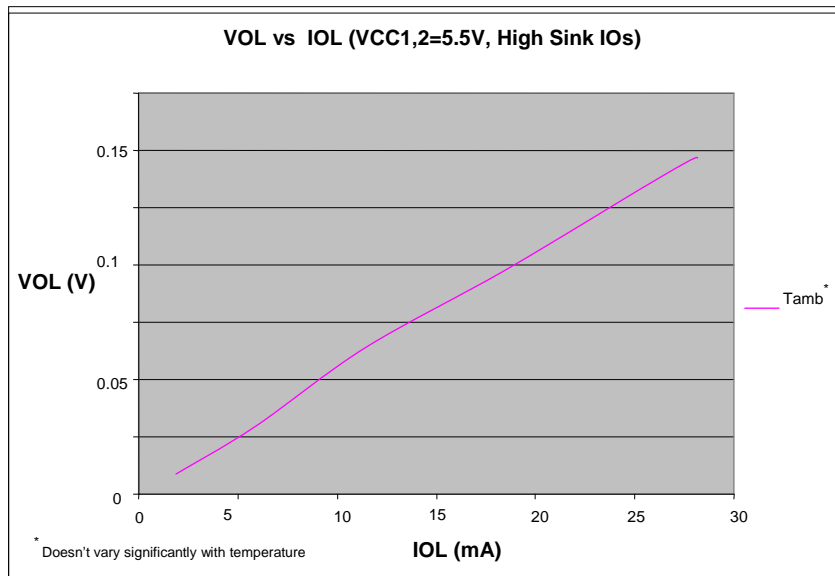
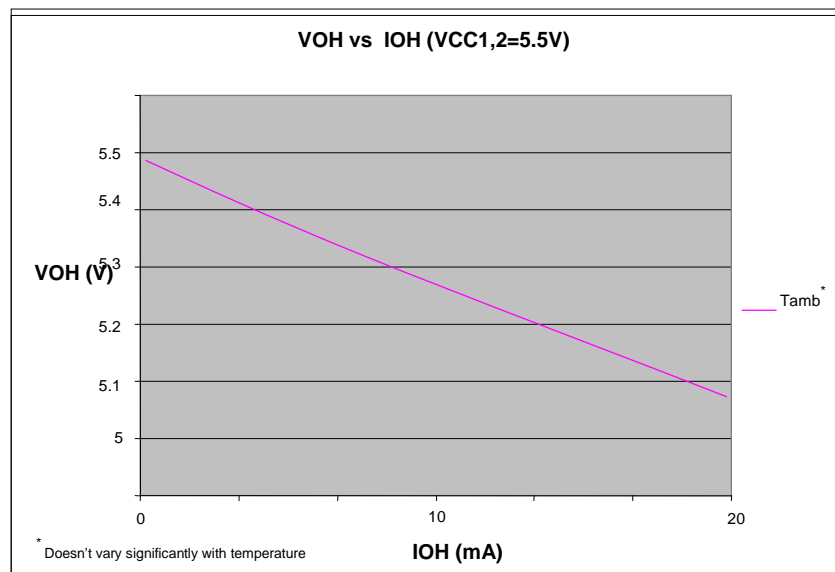
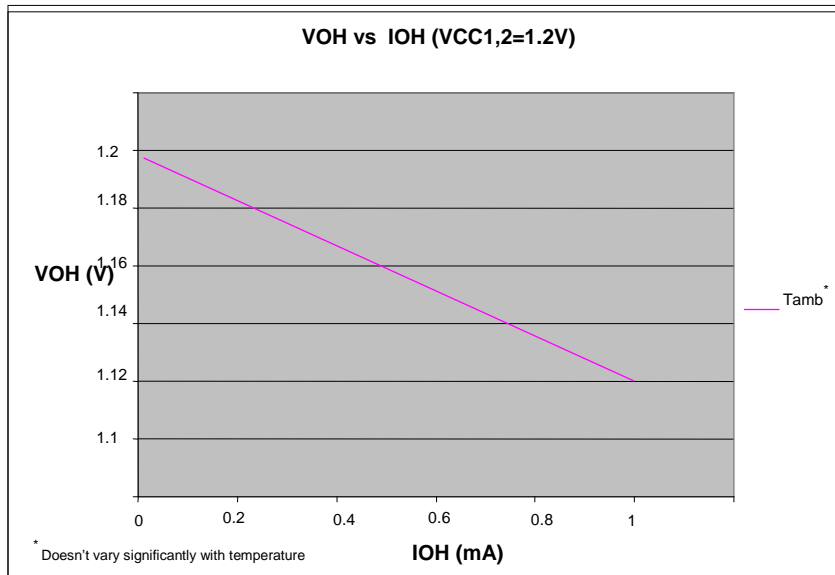
*Table 6 – Electrical Specifications in Boost Mode*

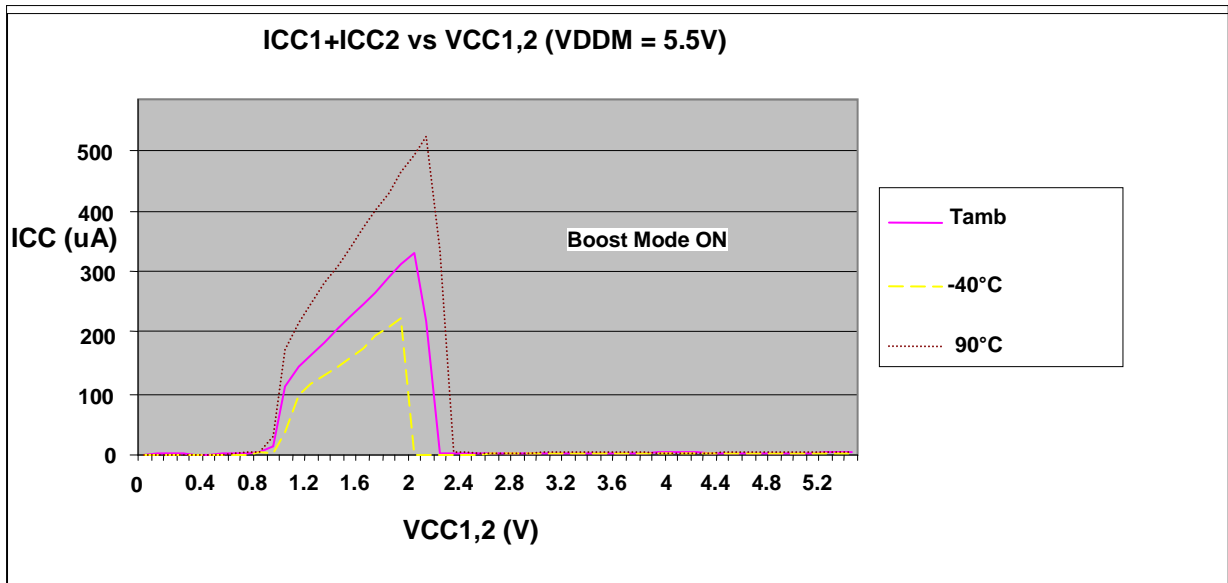
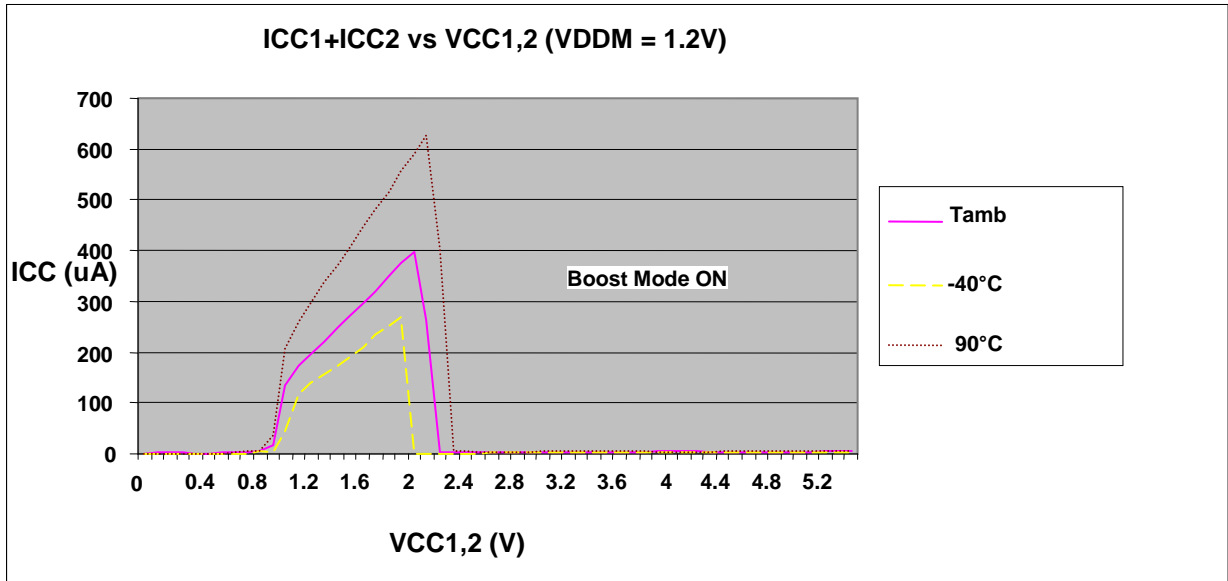
**Important:** RegAdvanced register doesn't affect any spec when VCC1 and VCC2 are above VBOOST.

**WIRELESS & SENSING**
**3 TYPICAL OPERATING CHARACTERISTICS**

Figures below apply to default registers values (Boost Mode Off),  $T_{amb}$ , unless otherwise specified.

**3.1 IDDM vs. VDDM**

**3.2 VOL vs. IOL**


**WIRELESS & SENSING**

**3.3 VOH vs. IOH**


**WIRELESS & SENSING**
**3.4 ICC1+ICC2 vs. VCC1,2 when Boost Mode is ON**


**WIRELESS & SENSING**

**4 BLOCK DETAILED DESCRIPTION**

**4.1 SX1501 4-channel GPIO**

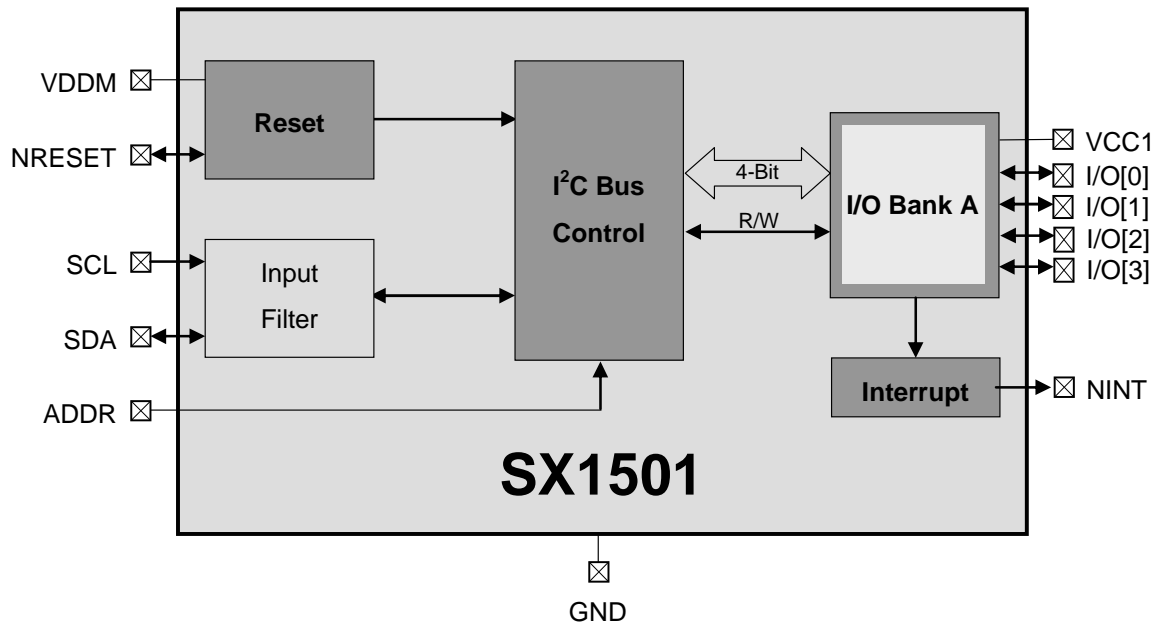


Figure 4 – 4-channel Low Voltage GPIO

**4.2 SX1502 8-channel GPIO**

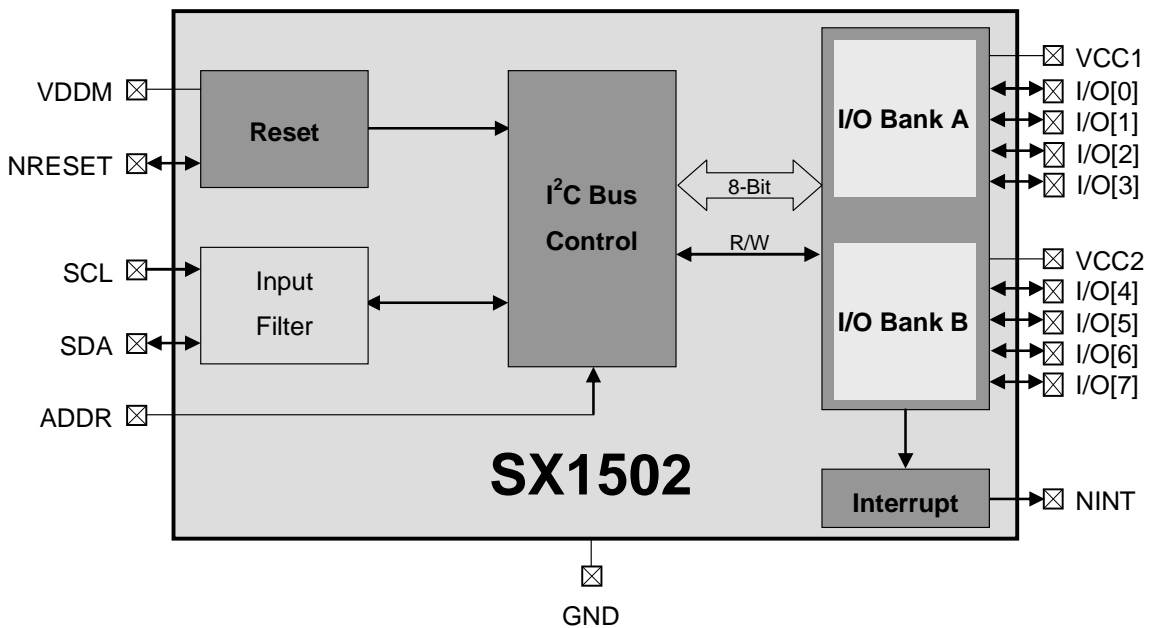


Figure 5 – 8-channel Low Voltage GPIO

WIRELESS & SENSING

4.3 SX1503 16-channel GPIO

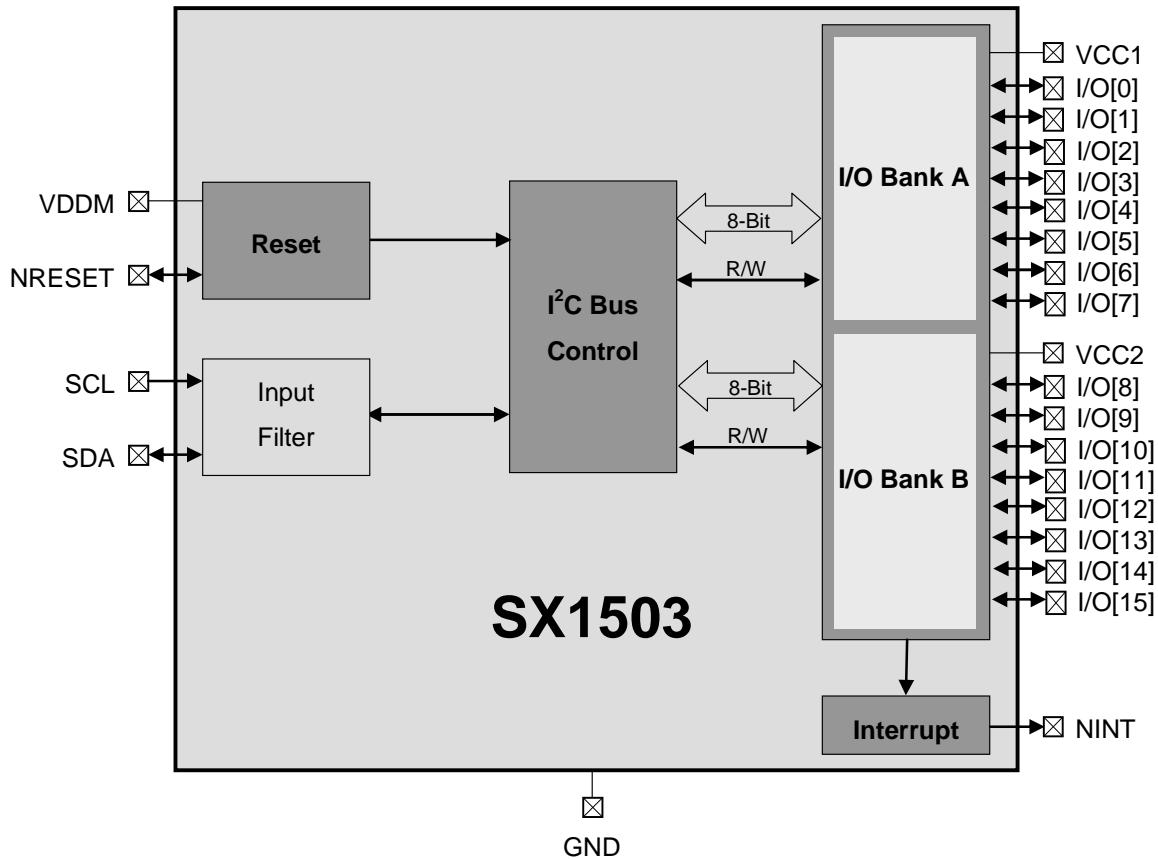


Figure 6 – 16-channel Low Voltage GPIO

4.4 Reset (NRESET)

The SX1501, SX1502 and SX1503 generate their own power on reset signal after a power supply is connected to the VDDM pin. The reset signal is made available for the user at the pin NRESET. The rising edge of the NRESET indicates that the startup sequence of the SX1501, SX1502 or SX1503 has finished. NRESET must be connected to VDDM (or greater) either directly, or via a resistor.

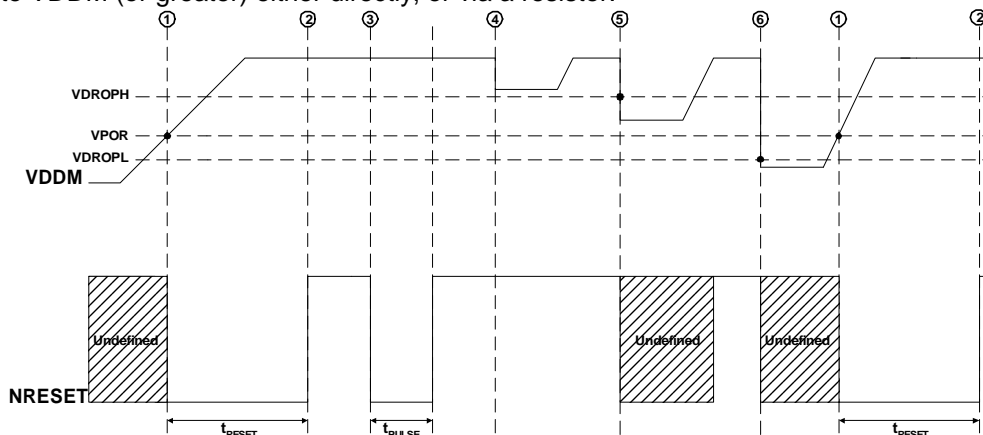


Figure 7 – Power-On / Brown-out Reset Conditions

1. Device behavior is undefined until VDDM rises above VPOR, at which point NRESET is driven to GND by the SX1501, SX1502 or SX1503.
2. After  $t_{RESET}$ , NRESET is released (high-impedance) by the SX1501, SX1502 or SX1503 to allow it to be pulled high by an external resistor.
3. In operation, the SX1501, SX1502 and SX1503 may be reset at anytime by an external device driving NRESET low during  $t_{PULSE}$ . Chip can be accessed normally again after NRESET rising edge.

**WIRELESS & SENSING**

4. During a brown-out event, if VDDM drops above VDROPH a reset will not occur.
5. During a brown-out event, if VDDM drops between VDROPH and VDROPL a reset may occur.
6. During a brown-out event, if VDDM drops below VDROPL a reset will occur next time VPOR is crossed.

Please note that a brown-out event is defined as a transient event on VDDM. If VDDM is attached to a battery, then the gradual decay of the battery voltage will not be interpreted as a brown-out event.

Please also note that a sharp rise in VDDM (> 1V/us) may induce a circuit reset.

**4.5 2-Wire Interface (I<sup>2</sup>C)**

The SX1501, SX1502 and SX1503 2-wire interface (I<sup>2</sup>C compliant) operates only in slave mode. In this configuration, the device has one or two device addresses defined by ADDR pin.

Device	ADDR Pin	I <sup>2</sup> C Address	Description
SX1501 & SX1502	0	0x20 (0100000)	First address of the 2-wire interface
	1	0x21 (0100001)	Second address of the 2-wire interface
SX1503		0x20 (0100000)	Fixed address of the 2-wire interface

Table 7 - 2-Wire Interface Address

2 lines are used to exchange data between an external master host and the slave device:

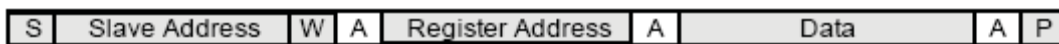
- **SCL** : Serial CLock
- **SDA** : Serial DAta

The SX1501, SX1502 and SX1503 are read-write slave-mode I<sup>2</sup>C devices and comply with the Philips I<sup>2</sup>C standard Version 2.1 dated January, 2000. The SX1501, SX1502 and SX1503 have respectively 12, 16, and 31 user-accessible internal 8-bit registers. The I<sup>2</sup>C interface has been designed for program flexibility, in that once the slave address has been sent to the SX1501, SX1502 or SX1503 enabling it to be a slave transmitter/receiver, any register can be written or read independently of each other. While there is no auto increment/decrement capability in the SX1501 and SX1502 I<sup>2</sup>C logic, a tight software loop can be designed to access the next register independent of which register you begin accessing. SX1503 implements auto increment capability. The start and stop commands frame the data-packet and the repeat start condition is allowed if necessary.

Seven bit addressing is used and ten bit addressing is not allowed. Any general call address will be ignored by the SX1501, SX1502 and SX1503. The SX1501, SX1502 and SX1503 are not CBUS compatible and can operate in standard mode (100kbit/s) or fast mode (400kbit/s).

**4.5.1 WRITE**

The simplest format for an I<sup>2</sup>C write is given below. After the start condition [S], the slave address is sent, followed by an eighth bit indicating a write. The I<sup>2</sup>C then acknowledges that it is being addressed, and the master responds with an 8 bit data byte consisting of the register address. The slave acknowledges and the master sends the appropriate 8 bit data byte. Once again the slave acknowledges and the master terminates the transfer with the stop condition [P].



Master operations

SX1501, SX1502 or SX1503 operations (Slave)

S: Start Condition

W: Write = '0'

A: Acknowledge (sent by slave)

P: Stop condition

Slave Address: 7 bit

Register Address: 8 bit

Data: 8 bit

Figure 8 - 2-Wire Serial Interface, Write Register Operation

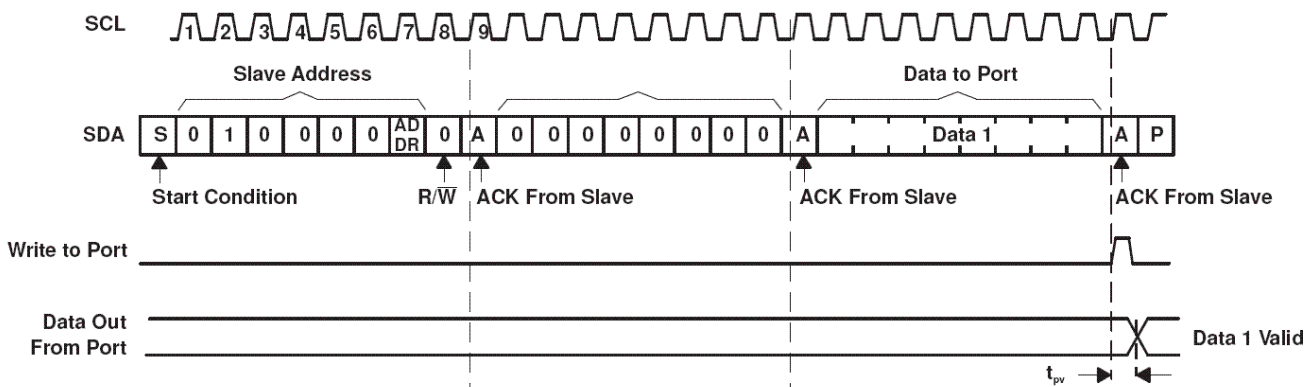
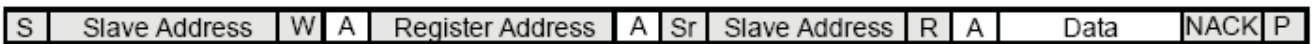
**WIRELESS & SENSING**


Figure 9 – Write RegData Register

Please note that SX1503 implements register address auto-increment i.e. after the Data ACK from Slave the master can write further bytes and the interface will handle the register address increment automatically. Finally the master terminates the transfer normally the stop condition [P].

#### 4.5.2 READ

After the start condition [S], the slave address is sent, followed by an eighth bit indicating a write. The I<sup>2</sup>C then acknowledges that it is being addressed, and the master responds with an 8 bit data byte consisting of the register address. The slave acknowledges and the master sends the repeated start condition [Sr]. Once again, the slave address is sent, followed by an eighth bit indicating a read. The slave responds with an acknowledge and the previously addressed 8 bit data byte; the master then sends a non-acknowledge (NACK). Finally, the master terminates the transfer with the stop condition [P].



- Master operations
- SX1501, SX1502 or SX1503 operations (Slave)

S: Start Condition  
W: Write = '0'  
R: Read = '1'  
A: Acknowledge (sent by slave)  
NACK: Non-Acknowledge (sent by master)  
Sr: Repeated Start Condition  
P: Stop condition

Slave Address: 7 bit  
Register Address: 8 bit  
Data: 8 bit

Figure 10 - 2-Wire Serial Interface, Read Register Operation

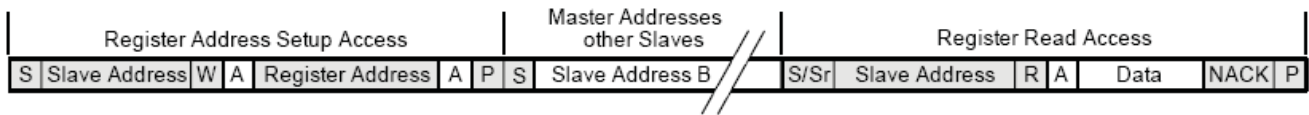
Please note that SX1503 implements register address auto-increment i.e. after the Data byte from Slave the master can acknowledge (ACK) to indicate that it wants to read the next byte and the interface will handle the register address increment automatically. Finally the master terminates the transfer normally with a NACK followed by the stop condition [P].

#### 4.5.3 READ - STOP separated format (SX1501 and SX1502 only)

When operating SX1501 or SX1502, stop-separated reads can also be used. This format allows a master to set up the register address pointer for a read and return to that slave at a later time to read the data. In this format the slave address followed by a write command are sent after a start [S] condition. The slave then acknowledges it is being addressed, and the master responds with the 8-bit register address. The master sends a Stop or Restart condition and may then address another slave. After performing other tasks, the master can send a start or restart condition to the slave with a read command. The slave acknowledges this request and returns the data from the register location that had previously been set up.



**WIRELESS & SENSING**



- Master operations
- SX1501, SX1502 or SX1503 operations (Slave)

S: Start Condition  
W: Write = '0'  
R: Read = '1'  
A: Acknowledge (sent by slave)  
NACK: Non-Acknowledge (sent by master)  
Sr: Repeated Start Condition  
P: Stop condition

Slave Address: 7 bit  
Register Address: 8 bit  
Data: 8 bit

Figure 11 - 2-Wire Serial Interface, Read – Stop Separated Mode Operation

**4.6 Interrupt (NINT)**

At start-up, the transition detection logic is reset, and NINT is released to a high-impedance state. The interrupt mask register is set to 0xFF, disabling the interrupt output for transitions on all I/O ports. The transition flags are cleared to indicate no data changes.

An interrupt NINT can be generated on any programmed combination of I/Os rising and/or falling edges through the RegInterruptMask and RegSense registers. If needed, the I/Os which triggered the interrupt can then be identified by reading RegInterruptSource register.

When NINT is low (i.e. interrupt occurred), it can be reset back high (i.e. cleared) by writing 0xFF in RegInterruptSource (this will also clear corresponding bits in RegEventStatus register). SX1503 also allows the interrupt to be cleared automatically when reading RegData register (Cf. RegAdvanced)

Example: We want to detect rising edge of I/O[1] on SX1502 (NINT will go low).

1. We enable interrupt on I/O[1] in RegInterruptMask  
⇒ RegInterruptMask = "XXXXXX0X"
  
2. We set edge sense for I/O[1] in RegSense  
⇒ RegSenseLow = "XXXX01XX"

**4.7 Programmable Logic Functions (PLD)**

The SX1501, SX1502 and SX1503 offer a unique fully programmable logic functions like a PLD to give more flexibility and reduce external logic gates used for standard applications. Since the whole truth table is fully programmable, the SX1501, SX1502, and SX1503 can implement combinatory functions ranging from the basic AND/OR gates to the most complicated ones with up to four 3-to-1 PLDs or two 3-to-2 PLDs which can also be externally cascaded if needed.

In all cases, any IO not configured for PLD functionality retains its GPIO functionality while I/Os used by the PLD have their direction automatically set accordingly.

Please note that while RegDir corresponding bits are ignored for PLD operation they may still be set to input to access unused PLD inputs as normal GPI (PLD truth table can define some inputs to have no effect on PLD output) and/or generate interrupt based on any of the PLD inputs or outputs bits.

**4.7.1 SX1501**

The SX1501 I/Os can be configured to provide any combinational 2-to-1 logic function using I/O[0-2] whilst retaining GPIO capability on I/O[3] OR provide a combinational 3-to-1 decode function using all 4 I/O ports.

RegPLDMode 1:0	SX1501 I/Os			
	3	2	1	0
00	GPIO	GPIO	GPIO	GPIO
01	GPIO	PLD OUT	PLD IN	PLD IN
10	PLD OUT	PLD IN	PLD IN	PLD IN

Table 8 – SX1501 PLD Modes Settings

**WIRELESS & SENSING**
**4.7.2 SX1502**

The SX1502 I/Os can be configured as per the SX1501, and can additionally be configured to provide a 2-to-1 logic function on I/O[4-6], 3-to-1 logic function on I/O[4-7], or 3-to-2 logic decode on I/O[0-4].

RegPLDMode		SX1502 I/Os							
5:4	1:0	7	6	5	4	3	2	1	0
00	00	GPIO	GPIO	GPIO	GPIO	GPIO	GPIO	GPIO	GPIO
00	01	GPIO	GPIO	GPIO	GPIO	GPIO	PLD OUT	PLD IN	PLD IN
00	10	GPIO	GPIO	GPIO	GPIO	PLD OUT	PLD IN	PLD IN	PLD IN
00	11	GPIO	GPIO	GPIO	PLD OUT	PLD OUT	PLD IN	PLD IN	PLD IN
01	00	GPIO	PLD OUT	PLD IN	PLD IN	GPIO	GPIO	GPIO	GPIO
01	01	GPIO	PLD OUT	PLD IN	PLD IN	GPIO	PLD OUT	PLD IN	PLD IN
01	10	GPIO	PLD OUT	PLD IN	PLD IN	PLD OUT	PLD IN	PLD IN	PLD IN
01	11	GPIO	GPIO	GPIO	PLD OUT	PLD OUT	PLD IN	PLD IN	PLD IN
10	00	PLD OUT	PLD IN	PLD IN	PLD IN	GPIO	GPIO	GPIO	GPIO
10	01	PLD OUT	PLD IN	PLD IN	PLD IN	GPIO	PLD OUT	PLD IN	PLD IN
10	10	PLD OUT	PLD IN	PLD IN	PLD IN	PLD OUT	PLD IN	PLD IN	PLD IN
10	11	GPIO	GPIO	GPIO	PLD OUT	PLD OUT	PLD IN	PLD IN	PLD IN

Table 9 – SX1502 PLD Modes Settings

**4.7.3 SX1503**

Each of the two I/O banks of the SX1503 I/Os can be configured as per the SX1502.

RegPLDModeB		SX1503 I/Os							
5:4	1:0	15	14	13	12	11	10	9	8
00	00	GPIO	GPIO	GPIO	GPIO	GPIO	GPIO	GPIO	GPIO
00	01	GPIO	GPIO	GPIO	GPIO	GPIO	PLD OUT	PLD IN	PLD IN
00	10	GPIO	GPIO	GPIO	GPIO	PLD OUT	PLD IN	PLD IN	PLD IN
00	11	GPIO	GPIO	GPIO	PLD OUT	PLD OUT	PLD IN	PLD IN	PLD IN
01	00	GPIO	PLD OUT	PLD IN	PLD IN	GPIO	GPIO	GPIO	GPIO
01	01	GPIO	PLD OUT	PLD IN	PLD IN	GPIO	PLD OUT	PLD IN	PLD IN
01	10	GPIO	PLD OUT	PLD IN	PLD IN	PLD OUT	PLD IN	PLD IN	PLD IN
01	11	GPIO	GPIO	GPIO	PLD OUT	PLD OUT	PLD IN	PLD IN	PLD IN
10	00	PLD OUT	PLD IN	PLD IN	PLD IN	GPIO	GPIO	GPIO	GPIO
10	01	PLD OUT	PLD IN	PLD IN	PLD IN	GPIO	PLD OUT	PLD IN	PLD IN
10	10	PLD OUT	PLD IN	PLD IN	PLD IN	PLD OUT	PLD IN	PLD IN	PLD IN
10	11	GPIO	GPIO	GPIO	PLD OUT	PLD OUT	PLD IN	PLD IN	PLD IN

Table 10 – SX1503 PLD Modes Settings (Bank B)

RegPLDModeA		SX1503 I/Os							
5:4	1:0	7	6	5	4	3	2	1	0
00	00	GPIO	GPIO	GPIO	GPIO	GPIO	GPIO	GPIO	GPIO
00	01	GPIO	GPIO	GPIO	GPIO	GPIO	PLD OUT	PLD IN	PLD IN
00	10	GPIO	GPIO	GPIO	GPIO	PLD OUT	PLD IN	PLD IN	PLD IN
00	11	GPIO	GPIO	GPIO	PLD OUT	PLD OUT	PLD IN	PLD IN	PLD IN
01	00	GPIO	PLD OUT	PLD IN	PLD IN	GPIO	GPIO	GPIO	GPIO
01	01	GPIO	PLD OUT	PLD IN	PLD IN	GPIO	PLD OUT	PLD IN	PLD IN
01	10	GPIO	PLD OUT	PLD IN	PLD IN	PLD OUT	PLD IN	PLD IN	PLD IN
01	11	GPIO	GPIO	GPIO	PLD OUT	PLD OUT	PLD IN	PLD IN	PLD IN
10	00	PLD OUT	PLD IN	PLD IN	PLD IN	GPIO	GPIO	GPIO	GPIO
10	01	PLD OUT	PLD IN	PLD IN	PLD IN	GPIO	PLD OUT	PLD IN	PLD IN
10	10	PLD OUT	PLD IN	PLD IN	PLD IN	PLD OUT	PLD IN	PLD IN	PLD IN
10	11	GPIO	GPIO	GPIO	PLD OUT	PLD OUT	PLD IN	PLD IN	PLD IN

Table 11 – SX1503 PLD Modes Settings (Bank B)

**WIRELESS & SENSING**
**4.7.4 Tutorial**

The generic method described in this paragraph can be applied to any of the SX1501, SX1502 or SX1503.

*Example: We want to implement an AND gate between I/O[0] and IO[1] on SX1502*

1. Identify in the tables above the RegPLDMode setting to be programmed.  
*What we need corresponds to the second line of the SX1502 PLD Table => RegPLDMode = "xx00xx01"*
2. Fill corresponding RegPLDTableX with the wanted truth table.  
*As mentioned in RegPLDMode description, using PLD 2-to-1 mode on I/O[0-2] implies to fill the truth table located in RegPLDTable0(3:0)*

I/O[1]	I/O[0]	I/O[2]
0	0	0
0	1	0
1	0	0
1	1	1

=> RegPLDTable0 = "xxx1000"

**WIRELESS & SENSING**

**5 CONFIGURATION REGISTERS**

**5.1 SX1501 4-channel GPIO**

Address	Name	Description	Default
0x00	RegData	Data register	1111 1111
0x01	RegDir	Direction register	1111 1111
0x02	RegPullUp	Pull-up register	0000 0000
0x03	RegPullDown	Pull-down register	0000 0000
0x04	Reserved	Unused	XXXX XXXX
0x05	RegInterruptMask	Interrupt mask register	1111 1111
0x06	RegSenseHigh	Unused	XXXX XXXX
0x07	RegSenseLow	Sense register	0000 0000
0x08	RegInterruptSource	Interrupt source register	0000 0000
0x09	RegEventStatus	Event status register	0000 0000
0x10	RegPLDMode	PLD mode register	0000 0000
0x11	RegPLDTable0	PLD truth table 0	0000 0000
0x12	RegPLDTable1	Unused	XXXX XXXX
0x13	RegPLDTable2	PLD truth table 2	0000 0000
0x14	RegPLDTable3	Unused	XXXX XXXX
0x15	RegPLDTable4	Unused	XXXX XXXX
0xAB	RegAdvanced	Advanced settings register	0000 0000

Bits set as output take '1' as default value.

Table 12 – SX1501 Configuration Registers Overview

Addr	Name	Default	Bits	Description
0x00	RegData	0xFF	7:4	Reserved. Must be set to 1 (default value)
			3:0	Write: Data to be output to the output-configured IOs Read: Data seen at the IOs, independent of the direction configured.
0x01	RegDir	0xFF	7:4	Reserved. Must be set to 1 (default value)
			3:0	Configures direction for each IO. 0 : IO is configured as an output 1 : IO is configured as an input
0x02	RegPullUp	0x00	7:4	Reserved. Must be set to 0 (default value)
			3:0	Enables the pull-up for each IO 0 : Pull-up is disabled 1 : Pull-up is enabled
0x03	RegPullDown	0x00	7:4	Reserved. Must be set to 0 (default value)
			3:0	Enables the pull-down for each IO 0 : Pull-down is disabled 1 : Pull-down is enabled
0x04	Reserved	0xFF	7:0	Unused
0x05	RegInterruptMask	0xFF	7:4	Reserved. Must be set to 1 (default value)
			3:0	Configures which [input-configured] IO will trigger an interrupt on NINT pin 0 : An event on this IO will trigger an interrupt 1 : An event on this IO will NOT trigger an interrupt
0x06	RegSenseHigh	0xFF	7:0	Unused
0x07	RegSenseLow	0x00	7:6	Edge sensitivity of I/O[3]
			5:4	Edge sensitivity of I/O[2]
			3:2	Edge sensitivity of I/O[1]
			1:0	Edge sensitivity of I/O[0]
0x08	RegInterruptSource	0x00	7:4	Reserved. Must be set to 0 (default value)
			3:0	Interrupt source (from IOs set in RegInterruptMask) 0 : No interrupt has been triggered by this IO 1 : An interrupt has been triggered by this IO (an event as configured in relevant RegSense register occurred).  Writing '1' clears the bit in RegInterruptSource and in RegEventStatus. When all bits are cleared, NINT signal goes back high.
0x09		0x00	7:4	Reserved. Must be set to 0 (default value)

**WIRELESS & SENSING**

Addr	Name	Default	Bits	Description
	RegEventStatus		3:0	Event status of all IOs. 0 : No event has occurred on this IO 1 : An event has occurred on this IO (an edge as configured in relevant RegSense register occurred).  Writing '1' clears the bit in RegEventStatus and in RegInterruptSource if relevant. If the edge sensitivity of the IO is changed, the bit(s) will be cleared automatically
0x10	RegPLDMode	0x00	7:2 1:0	Reserved. Must be set to 0 (default value)  PLDMode 00 : PLD disabled – Normal GPIO mode for I/O[3:0] 01 : PLD 2-to-1 mode – I/O[2] is a decode of I/O[1:0] as defined in RegPLDTable0 10 : PLD 3-to-1 mode – I/O[3] is a decode of I/O[2:0] as defined in RegPLDTable2 11 : Not used
0x11	RegPLDTable0	0x00	7:4 3 2 1 0	Reserved. Must be set to 0 (default value) Value to be output on I/O[2] when I/O[1:0] = 11 Value to be output on I/O[2] when I/O[1:0] = 10 Value to be output on I/O[2] when I/O[1:0] = 01 Value to be output on I/O[2] when I/O[1:0] = 00
0x12	RegPLDTable1	0xXX	7:0	Unused
0x13	RegPLDTable2	0x00	7 6 5 4 3 2 1 0	Value to be output on I/O[3] when I/O[2:0] = 111 Value to be output on I/O[3] when I/O[2:0] = 110 Value to be output on I/O[3] when I/O[2:0] = 101 Value to be output on I/O[3] when I/O[2:0] = 100 Value to be output on I/O[3] when I/O[2:0] = 011 Value to be output on I/O[3] when I/O[2:0] = 010 Value to be output on I/O[3] when I/O[2:0] = 001 Value to be output on I/O[3] when I/O[2:0] = 000
0x14	RegPLDTable3	0xXX	7:0	Unused
0x15	RegPLDTable4	0xXX	7:0	Unused
0xAB	RegAdvanced	0x00	7:2 1 0	Reserved. Must be set to 0 (default value) Boost Mode (Cf. §2.2.1) 0: OFF 1: ON Reserved. Must be set to 0 (default value)

Table 13 – SX1501 Configuration Registers Description

5.2 SX1502 8-channel GPIO

Address	Name	Description	Default
0x00	RegData	Data register	1111 1111*
0x01	RegDir	Direction register	1111 1111
0x02	RegPullUp	Pull-up register	0000 0000
0x03	RegPullDown	Pull-down register	0000 0000
0x04	Reserved	Unused	XXXX XXXX
0x05	RegInterruptMask	Interrupt mask register	1111 1111
0x06	RegSenseHigh	Sense register for I/O[7:4]	0000 0000
0x07	RegSenseLow	Sense register for I/O[3:0]	0000 0000
0x08	RegInterruptSource	Interrupt source register	0000 0000
0x09	RegEventStatus	Event status register	0000 0000
0x10	RegPLDMode	PLD mode register	0000 0000
0x11	RegPLDTable0	PLD truth table 0	0000 0000
0x12	RegPLDTable1	PLD truth table 1	0000 0000
0x13	RegPLDTable2	PLD truth table 2	0000 0000
0x14	RegPLDTable3	PLD truth table 3	0000 0000
0x15	RegPLDTable4	PLD truth table 4	0000 0000
0xAB	RegAdvanced	Advanced settings register	0000 0000

\*Bits set as output take '1' as default value.

Table 14 – SX1502 Configuration Registers Overview

Addr	Name	Default	Bits	Description
0x00	RegData	0xFF	7:0	Write: Data to be output to the output-configured IOs Read: Data seen at the IOs, independent of the direction configured.
0x01	RegDir	0xFF	7:0	Configures direction for each IO. 0 : IO is configured as an output 1 : IO is configured as an input

**WIRELESS & SENSING**

Addr	Name	Default	Bits	Description	
0x02	RegPullUp	0x00	7:0	Enables the pull-up for each IO 0 : Pull-up is disabled 1 : Pull-up is enabled	
0x03	RegPullDown	0x00	7:0	Enables the pull-down for each IO 0 : Pull-down is disabled 1 : Pull-down is enabled	
0x04	Reserved	0xFF	7:0	Unused	
0x05	RegInterruptMask	0xFF	7:0	Configures which [input-configured] IO will trigger an interrupt on NINT pin 0 : An event on this IO will trigger an interrupt 1 : An event on this IO will NOT trigger an interrupt	
0x06	RegSenseHigh	0x00	7:6	Edge sensitivity of I/O[7]	00 : None 01 : Rising 10 : Falling 11 : Both
			5:4	Edge sensitivity of I/O[6]	
			3:2	Edge sensitivity of I/O[5]	
			1:0	Edge sensitivity of I/O[4]	
0x07	RegSenseLow	0x00	7:6	Edge sensitivity of I/O[3]	00 : None 01 : Rising 10 : Falling 11 : Both
			5:4	Edge sensitivity of I/O[2]	
			3:2	Edge sensitivity of I/O[1]	
			1:0	Edge sensitivity of I/O[0]	
0x08	RegInterruptSource	0x00	7:0	Interrupt source (from IOs set in RegInterruptMask) 0 : No interrupt has been triggered by this IO 1 : An interrupt has been triggered by this IO (an event as configured in relevant RegSense register occurred).  Writing '1' clears the bit in RegInterruptSource and in RegEventStatus When all bits are cleared, NINT signal goes back high.	
0x09	RegEventStatus	0x00	7:0	Event status of all IOs. 0 : No event has occurred on this IO 1 : An event has occurred on this IO (an edge as configured in relevant RegSense register occurred).  Writing '1' clears the bit in RegEventStatus and in RegInterruptSource if relevant. If the edge sensitivity of the IO is changed, the bit(s) will be cleared automatically	
0x10	RegPLDMode	0x00	7:6	Reserved. Must be set to 0 (default value)	
			5:4	PLDModeHigh (applies to I/O[7:4]) 00 : PLD disabled – Normal GPIO mode for I/O[7:4] 01 : PLD 2-to-1 mode – I/O[6] is a decode of I/O[5:4] as defined in RegPLDTable0 10 : PLD 3-to-1 mode – I/O[7] is a decode of I/O[6:4] as defined in RegPLDTable1 11 : Reserved	
			3:2	Reserved. Must be set to 0 (default value)	
			1:0	PLDModeLow (applies to I/O[3:0]) 00 : PLD disabled – Normal GPIO mode for I/O[3:0] 01 : PLD 2-to-1 mode – I/O[2] is a decode of I/O[1:0] as defined in RegPLDTable0 10 : PLD 3-to-1 mode – I/O[3] is a decode of I/O[2:0] as defined in RegPLDTable2 11 : PLD 3-to-2 mode – I/O[4:3] are decodes of I/O[2:0] as defined in RegPLDTable3 and RegPLDTable4	
0x11	RegPLDTable0	0x00	7	Value to be output on I/O[6] when I/O[5:4] = 11	Applies only when PLDModeHigh is set to PLD 2-to-1 mode
			6	Value to be output on I/O[6] when I/O[5:4] = 10	
			5	Value to be output on I/O[6] when I/O[5:4] = 01	
			4	Value to be output on I/O[6] when I/O[5:4] = 00	
			3	Value to be output on I/O[2] when I/O[1:0] = 11	Applies only when PLDModeLow is set to PLD 2-to-1 mode
			2	Value to be output on I/O[2] when I/O[1:0] = 10	
			1	Value to be output on I/O[2] when I/O[1:0] = 01	
			0	Value to be output on I/O[2] when I/O[1:0] = 00	
0x12	RegPLDTable1	0x00	7	Value to be output on I/O[7] when I/O[6:4] = 111	Applies only when PLDModeHigh is set to PLD 3-to-1 mode
			6	Value to be output on I/O[7] when I/O[6:4] = 110	
			5	Value to be output on I/O[7] when I/O[6:4] = 101	
			4	Value to be output on I/O[7] when I/O[6:4] = 100	
			3	Value to be output on I/O[7] when I/O[6:4] = 011	
			2	Value to be output on I/O[7] when I/O[6:4] = 010	
			1	Value to be output on I/O[7] when I/O[6:4] = 001	
0	Value to be output on I/O[7] when I/O[6:4] = 000				
0x13	RegPLDTable2	0x00	7	Value to be output on I/O[3] when I/O[2:0] = 111	Applies only when PLDModeLow is set to PLD 3-to-1 mode
			6	Value to be output on I/O[3] when I/O[2:0] = 110	
			5	Value to be output on I/O[3] when I/O[2:0] = 101	
			4	Value to be output on I/O[3] when I/O[2:0] = 100	
			3	Value to be output on I/O[3] when I/O[2:0] = 011	
			2	Value to be output on I/O[3] when I/O[2:0] = 010	
1	Value to be output on I/O[3] when I/O[2:0] = 001				



**WIRELESS & SENSING**

Addr	Name	Default	Bits	Description
0x14	RegPLDTable3	0x00	0	Value to be output on I/O[3] when I/O[2:0] = 000
			7	Value to be output on I/O[4] when I/O[2:0] = 111
			6	Value to be output on I/O[4] when I/O[2:0] = 110
			5	Value to be output on I/O[4] when I/O[2:0] = 101
			4	Value to be output on I/O[4] when I/O[2:0] = 100
			3	Value to be output on I/O[4] when I/O[2:0] = 011
			2	Value to be output on I/O[4] when I/O[2:0] = 010
			1	Value to be output on I/O[4] when I/O[2:0] = 001
			0	Value to be output on I/O[4] when I/O[2:0] = 000
0x15	RegPLDTable4	0x00	7	Value to be output on I/O[3] when I/O[2:0] = 111
			6	Value to be output on I/O[3] when I/O[2:0] = 110
			5	Value to be output on I/O[3] when I/O[2:0] = 101
			4	Value to be output on I/O[3] when I/O[2:0] = 100
			3	Value to be output on I/O[3] when I/O[2:0] = 011
			2	Value to be output on I/O[3] when I/O[2:0] = 010
			1	Value to be output on I/O[3] when I/O[2:0] = 001
			0	Value to be output on I/O[3] when I/O[2:0] = 000
0xAB	RegAdvanced	0x00	7:2	Reserved. Must be set to 0 (default value)
			1	Boost Mode (Cf. §2.2.1) 0: OFF 1: ON
			0	Reserved. Must be set to 0 (default value)

Table 15 – SX1502 Configuration Registers Description

### 5.3 SX1503 16-channel GPIO

Address	Name	Description	Default
0x00	RegDataB	Data register for Bank B I/O[15:8]	1111 1111
0x01	RegDataA	Data register for Bank A I/O[7:0]	1111 1111
0x02	RegDirB	Direction register for Bank B I/O[15:8]	1111 1111
0x03	RegDirA	Direction register for Bank A I/O[7:0]	1111 1111
0x04	RegPullUpB	Pull-up register for Bank B I/O[15:8]	0000 0000
0x05	RegPullUpA	Pull-up register for Bank A I/O[7:0]	0000 0000
0x06	RegPullDownB	Pull-down register for Bank B I/O[15:8]	0000 0000
0x07	RegPullDownA	Pull-down register for Bank A I/O[7:0]	0000 0000
0x08	RegInterruptMaskB	Interrupt mask register for Bank B I/O[15:8]	1111 1111
0x09	RegInterruptMaskA	Interrupt mask register for Bank A I/O[7:0]	1111 1111
0x0A	RegSenseHighB	Sense register for I/O[15:12]	0000 0000
0x0B	RegSenseHighA	Sense register for I/O[7:4]	0000 0000
0x0C	RegSenseLowB	Sense register for I/O[11:8]	0000 0000
0x0D	RegSenseLowA	Sense register for I/O[3:0]	0000 0000
0x0E	RegInterruptSourceB	Interrupt source register for Bank B I/O[15:8]	0000 0000
0x0F	RegInterruptSourceA	Interrupt source register for Bank A I/O[7:0]	0000 0000
0x10	RegEventStatusB	Event status register for Bank B I/O[15:8]	0000 0000
0x11	RegEventStatusA	Event status register for Bank A I/O[7:0]	0000 0000
0x20	RegPLDModeB	PLD mode register for Bank B I/O[15:8]	0000 0000
0x21	RegPLDModeA	PLD mode register for Bank A I/O[7:0]	0000 0000
0x22	RegPLDTable0B	PLD truth table 0 for Bank B I/O[15:8]	0000 0000
0x23	RegPLDTable0A	PLD truth table 0 for Bank A I/O[7:0]	0000 0000
0x24	RegPLDTable1B	PLD truth table 1 for Bank B I/O[15:8]	0000 0000
0x25	RegPLDTable1A	PLD truth table 1 for Bank A I/O[7:0]	0000 0000
0x26	RegPLDTable2B	PLD truth table 2 for Bank B I/O[15:8]	0000 0000
0x27	RegPLDTable2A	PLD truth table 2 for Bank A I/O[7:0]	0000 0000
0x28	RegPLDTable3B	PLD truth table 3 for Bank B I/O[15:8]	0000 0000
0x29	RegPLDTable3A	PLD truth table 3 for Bank A I/O[7:0]	0000 0000
0x2A	RegPLDTable4B	PLD truth table 4 for Bank B I/O[15:8]	0000 0000
0x2B	RegPLDTable4A	PLD truth table 4 for Bank A I/O[7:0]	0000 0000
0xAD	RegAdvanced	Advanced settings register	0000 0000

Bits set as output take "1" as default value.

Table 16 – SX1503 Configuration Registers Overview

Addr	Name	Default	Bits	Description
------	------	---------	------	-------------

**WIRELESS & SENSING**

Addr	Name	Default	Bits	Description	
0x00	RegDataB	0xFF	7:0	Write: Data to be output to the output-configured IOs Read: Data seen at the IOs, independent of the direction configured.	
0x01	RegDataA	0xFF	7:0	Write: Data to be output to the output-configured IOs Read: Data seen at the IOs, independent of the direction configured.	
0x02	RegDirB	0xFF	7:0	Configures direction for each IO. 0 : IO is configured as an output 1 : IO is configured as an input	
0x03	RegDirA	0xFF	7:0	Configures direction for each IO. 0 : IO is configured as an output 1 : IO is configured as an input	
0x04	RegPullUpB	0x00	7:0	Enables the pull-up for each IO 0 : Pull-up is disabled 1 : Pull-up is enabled	
0x05	RegPullUpA	0x00	7:0	Enables the pull-up for each IO 0 : Pull-up is disabled 1 : Pull-up is enabled	
0x06	RegPullDownB	0x00	7:0	Enables the pull-down for each IO 0 : Pull-down is disabled 1 : Pull-down is enabled	
0x07	RegPullDownA	0x00	7:0	Enables the pull-down for each IO 0 : Pull-down is disabled 1 : Pull-down is enabled	
0x08	RegInterruptMaskB	0xFF	7:0	Configures which [input-configured] IO will trigger an interrupt on NINT pin 0 : An event on this IO will trigger an interrupt 1 : An event on this IO will NOT trigger an interrupt	
0x09	RegInterruptMaskA	0xFF	7:0	Configures which [input-configured] IO will trigger an interrupt on NINT pin 0 : An event on this IO will trigger an interrupt 1 : An event on this IO will NOT trigger an interrupt	
0x0A	RegSenseHighB	0x00	7:6	Edge sensitivity of I/O[15]	00 : None 01 : Rising 10 : Falling 11 : Both
			5:4	Edge sensitivity of I/O[14]	
			3:2	Edge sensitivity of I/O[13]	
			1:0	Edge sensitivity of I/O[12]	
0x0B	RegSenseHighA	0x00	7:6	Edge sensitivity of I/O[7]	00 : None 01 : Rising 10 : Falling 11 : Both
			5:4	Edge sensitivity of I/O[6]	
			3:2	Edge sensitivity of I/O[5]	
			1:0	Edge sensitivity of I/O[4]	
0x0C	RegSenseLowB	0x00	7:6	Edge sensitivity of I/O[11]	00 : None 01 : Rising 10 : Falling 11 : Both
			5:4	Edge sensitivity of I/O[10]	
			3:2	Edge sensitivity of I/O[9]	
			1:0	Edge sensitivity of I/O[8]	
0x0D	RegSenseLowA	0x00	7:6	Edge sensitivity of I/O[3]	00 : None 01 : Rising 10 : Falling 11 : Both
			5:4	Edge sensitivity of I/O[2]	
			3:2	Edge sensitivity of I/O[1]	
			1:0	Edge sensitivity of I/O[0]	
0x0E	RegInterruptSourceB	0x00	7:0	Interrupt source (from IOs set in RegInterruptMaskB) 0 : No interrupt has been triggered by this IO 1 : An interrupt has been triggered by this IO (an event as configured in relevant RegSense register occurred).  Writing '1' clears the bit in RegInterruptSourceB and in RegEventStatusB When all bits of both RegInterruptSourceA/B are cleared, NINT signal goes back high.	
0x0F	RegInterruptSourceA	0x00	7:0	Interrupt source (from IOs set in RegInterruptMaskA) 0 : No interrupt has been triggered by this IO 1 : An interrupt has been triggered by this IO (an event as configured in relevant RegSense register occurred).  Writing '1' clears the bit in RegInterruptSourceA and in RegEventStatusA When all bits of both RegInterruptSourceA/B are cleared, NINT signal goes back high.	
0x10	RegEventStatusB	0x00	7:0	Event status of all IOs. 0 : No event has occurred on this IO 1 : An event has occurred on this IO (an edge as configured in relevant RegSense register occurred).  Writing '1' clears the bit in RegEventStatusB and in RegInterruptSourceB if relevant. If the edge sensitivity of the IO is changed, the bit(s) will be cleared automatically	



**WIRELESS & SENSING**

Addr	Name	Default	Bits	Description	
0x11	RegEventStatusA	0x00	7:0	Event status of all IOs. 0 : No event has occurred on this IO 1 : An event has occurred on this IO (an edge as configured in relevant RegSense register occurred).  Writing '1' clears the bit in RegEventStatusA and in RegInterruptSourceA if relevant. If the edge sensitivity of the IO is changed, the bit(s) will be cleared automatically	
0x20	RegPLDModeB	0x00	7:6	Reserved. Must be set to 0 (default value)	
			5:4	PLDModeHighB (applies to I/O[15:12]) 00 : PLD disabled – Normal GPIO mode for I/O[15:12] 01 : PLD 2-to-1 mode – I/O[14] is a decode of I/O[13:12] as defined in RegPLDTable0B 10 : PLD 3-to-1 mode – I/O[15] is a decode of I/O[14:12] as defined in RegPLDTable1B 11 : Reserved	
			3:2	Reserved. Must be set to 0 (default value)	
			1:0	PLDModeLowB (applies to I/O[11:8]) 00 : PLD disabled – Normal GPIO mode for I/O[11:8] 01 : PLD 2-to-1 mode – I/O[10] is a decode of I/O[9:8] as defined in RegPLDTable0B 10 : PLD 3-to-1 mode – I/O[11] is a decode of I/O[10:8] as defined in RegPLDTable2B 11 : PLD 3-to-2 mode – I/O[12:11] are decodes of I/O[10:8] as defined in RegPLDTable3B and RegPLDTable4B	
0x21	RegPLDModeA	0x00	7:6	Reserved. Must be set to 0 (default value)	
			5:4	PLDModeHighA (applies to I/O[7:4]) 00 : PLD disabled – Normal GPIO mode for I/O[7:4] 01 : PLD 2-to-1 mode – I/O[6] is a decode of I/O[5:4] as defined in RegPLDTable0A 10 : PLD 3-to-1 mode – I/O[7] is a decode of I/O[6:4] as defined in RegPLDTable1A 11 : Reserved	
			3:2	Reserved. Must be set to 0 (default value)	
			1:0	PLDModeLowA (applies to I/O[3:0]) 00 : PLD disabled – Normal GPIO mode for I/O[3:0] 01 : PLD 2-to-1 mode – I/O[2] is a decode of I/O[1:0] as defined in RegPLDTable0A 10 : PLD 3-to-1 mode – I/O[3] is a decode of I/O[2:0] as defined in RegPLDTable2A 11 : PLD 3-to-2 mode – I/O[4:3] are decodes of I/O[2:0] as defined in RegPLDTable3A and RegPLDTable4A	
0x22	RegPLDTable0B	0x00	7	Value to be output on I/O[14] when I/O[13:12] = 11	Applies only when PLDModeHighB is set to PLD 2-to-1 mode
			6	Value to be output on I/O[14] when I/O[13:12] = 10	
			5	Value to be output on I/O[14] when I/O[13:12] = 01	
			4	Value to be output on I/O[14] when I/O[13:12] = 00	
			3	Value to be output on I/O[10] when I/O[9:8] = 11	Applies only when PLDModeLowB is set to PLD 2-to-1 mode
			2	Value to be output on I/O[10] when I/O[9:8] = 10	
			1	Value to be output on I/O[10] when I/O[9:8] = 01	
			0	Value to be output on I/O[10] when I/O[9:8] = 00	
0x23	RegPLDTable0A	0x00	7	Value to be output on I/O[6] when I/O[5:4] = 11	Applies only when PLDModeHighA is set to PLD 2-to-1 mode
			6	Value to be output on I/O[6] when I/O[5:4] = 10	
			5	Value to be output on I/O[6] when I/O[5:4] = 01	
			4	Value to be output on I/O[6] when I/O[5:4] = 00	
			3	Value to be output on I/O[2] when I/O[1:0] = 11	Applies only when PLDModeLowA is set to PLD 2-to-1 mode
			2	Value to be output on I/O[2] when I/O[1:0] = 10	
			1	Value to be output on I/O[2] when I/O[1:0] = 01	
			0	Value to be output on I/O[2] when I/O[1:0] = 00	
0x24	RegPLDTable1B	0x00	7	Value to be output on I/O[15] when I/O[14:12] = 111	Applies only when PLDModeHighB is set to PLD 3-to-1 mode
			6	Value to be output on I/O[15] when I/O[14:12] = 110	
			5	Value to be output on I/O[15] when I/O[14:12] = 101	
			4	Value to be output on I/O[15] when I/O[14:12] = 100	
			3	Value to be output on I/O[15] when I/O[14:12] = 011	
			2	Value to be output on I/O[15] when I/O[14:12] = 010	
			1	Value to be output on I/O[15] when I/O[14:12] = 001	
			0	Value to be output on I/O[15] when I/O[14:12] = 000	
0x25	RegPLDTable1A	0x00	7	Value to be output on I/O[7] when I/O[6:4] = 111	Applies only when PLDModeHighA is set to PLD 3-to-1 mode
			6	Value to be output on I/O[7] when I/O[6:4] = 110	
			5	Value to be output on I/O[7] when I/O[6:4] = 101	
			4	Value to be output on I/O[7] when I/O[6:4] = 100	
			3	Value to be output on I/O[7] when I/O[6:4] = 011	
			2	Value to be output on I/O[7] when I/O[6:4] = 010	
			1	Value to be output on I/O[7] when I/O[6:4] = 001	
			0	Value to be output on I/O[7] when I/O[6:4] = 000	
0x26	RegPLDTable2B	0x00	7	Value to be output on I/O[11] when I/O[10:8] = 111	Applies only when PLDModeLowB is set to PLD
			6	Value to be output on I/O[11] when I/O[10:8] = 110	

**WIRELESS & SENSING**

Addr	Name	Default	Bits	Description	
			5	Value to be output on I/O[11] when I/O[10:8] = 101	3-to-1 mode
			4	Value to be output on I/O[11] when I/O[10:8] = 100	
			3	Value to be output on I/O[11] when I/O[10:8] = 011	
			2	Value to be output on I/O[11] when I/O[10:8] = 010	
			1	Value to be output on I/O[11] when I/O[10:8] = 001	
			0	Value to be output on I/O[11] when I/O[10:8] = 000	
0x27	RegPLDTable2A	0x00	7	Value to be output on I/O[3] when I/O[2:0] = 111	Applies only when PLDModelLowA is set to PLD 3-to-1 mode
			6	Value to be output on I/O[3] when I/O[2:0] = 110	
			5	Value to be output on I/O[3] when I/O[2:0] = 101	
			4	Value to be output on I/O[3] when I/O[2:0] = 100	
			3	Value to be output on I/O[3] when I/O[2:0] = 011	
			2	Value to be output on I/O[3] when I/O[2:0] = 010	
			1	Value to be output on I/O[3] when I/O[2:0] = 001	
			0	Value to be output on I/O[3] when I/O[2:0] = 000	
0x28	RegPLDTable3B	0x00	7	Value to be output on I/O[11] when I/O[10:8] = 111	Applies only when PLDModelLowB is set to PLD 3-to-2 mode
			6	Value to be output on I/O[11] when I/O[10:8] = 110	
			5	Value to be output on I/O[11] when I/O[10:8] = 101	
			4	Value to be output on I/O[11] when I/O[10:8] = 100	
			3	Value to be output on I/O[11] when I/O[10:8] = 011	
			2	Value to be output on I/O[11] when I/O[10:8] = 010	
			1	Value to be output on I/O[11] when I/O[10:8] = 001	
			0	Value to be output on I/O[11] when I/O[10:8] = 000	
0x29	RegPLDTable3A	0x00	7	Value to be output on I/O[3] when I/O[2:0] = 111	Applies only when PLDModelLowA is set to PLD 3-to-2 mode
			6	Value to be output on I/O[3] when I/O[2:0] = 110	
			5	Value to be output on I/O[3] when I/O[2:0] = 101	
			4	Value to be output on I/O[3] when I/O[2:0] = 100	
			3	Value to be output on I/O[3] when I/O[2:0] = 011	
			2	Value to be output on I/O[3] when I/O[2:0] = 010	
			1	Value to be output on I/O[3] when I/O[2:0] = 001	
			0	Value to be output on I/O[3] when I/O[2:0] = 000	
0x2A	RegPLDTable4B	0x00	7	Value to be output on I/O[12] when I/O[10:8] = 111	Applies only when PLDModelLowB is set to PLD 3-to-2 mode
			6	Value to be output on I/O[12] when I/O[10:8] = 110	
			5	Value to be output on I/O[12] when I/O[10:8] = 101	
			4	Value to be output on I/O[12] when I/O[10:8] = 100	
			3	Value to be output on I/O[12] when I/O[10:8] = 011	
			2	Value to be output on I/O[12] when I/O[10:8] = 010	
			1	Value to be output on I/O[12] when I/O[10:8] = 001	
			0	Value to be output on I/O[12] when I/O[10:8] = 000	
0x2B	RegPLDTable4A	0x00	7	Value to be output on I/O[4] when I/O[2:0] = 111	Applies only when PLDModelLowA is set to PLD 3-to-2 mode
			6	Value to be output on I/O[4] when I/O[2:0] = 110	
			5	Value to be output on I/O[4] when I/O[2:0] = 101	
			4	Value to be output on I/O[4] when I/O[2:0] = 100	
			3	Value to be output on I/O[4] when I/O[2:0] = 011	
			2	Value to be output on I/O[4] when I/O[2:0] = 010	
			1	Value to be output on I/O[4] when I/O[2:0] = 001	
			0	Value to be output on I/O[4] when I/O[2:0] = 000	
0xAD	RegAdvanced	0x00	7:3	Reserved. Must be set to 0 (default value)	
			2	Autoclear NINT on RegData read (Cf. §4.6) 0: OFF.RegInterruptSource must be manually cleared directly or via RegEventStatus 1: ON.RegInterruptSource is automatically cleared when RegDataB or RegDataA is read	
			1	Boost Mode (Cf. §2.2.1) 0: OFF 1: ON	
			0	Reserved. Must be set to 0 (default value)	

Table 17 – SX1503 Configuration Registers Description

WIRELESS & SENSING

6 APPLICATION INFORMATION

6.1 Typical Application Circuit

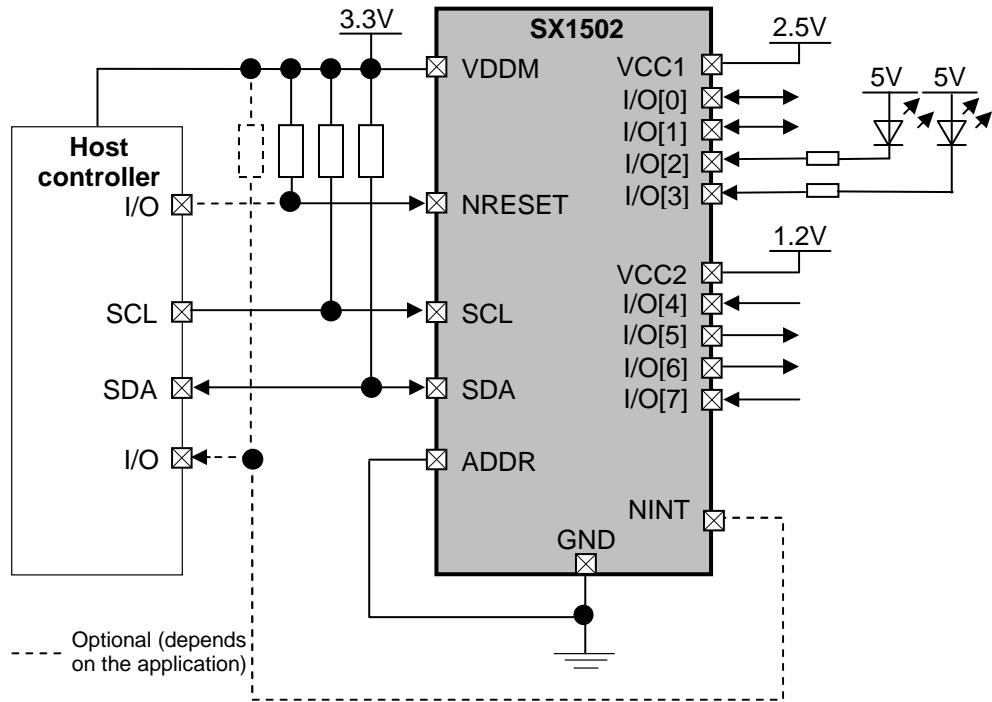
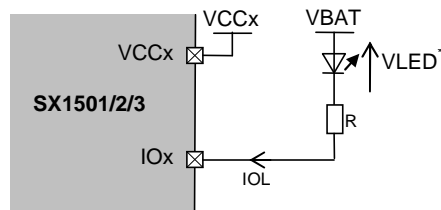


Figure 12 - Typical Application Schematic

6.2 Typical LED Operation

Typical LED operation is described below. The LED is usually connected to a high voltage (VBAT) to take advantage of the high sink current of the I/O and to accommodate high LED threshold voltages (VLED).



<sup>\*</sup>LED colour/technology dependent

Figure 13 – Typical LED Operation

**Important:**

- ❖ VCCx must exceed VBAT-VLED (VCCx = VBAT is recommended) else the LED will never be completely OFF
- ❖ R must be calculated for IOL not to exceed its max spec (Cf. Table 5)

6.2.1 LED ON/OFF Control

	RegDir[x]	RegData[x]
LED ON	"0" (Output)	"0"
LED OFF		"1"

Table 18 – LED ON/OFF Control

## WIRELESS & SENSING

### 6.2.2 LED Intensity Control

When the max IOL spec is not enough it is possible to drive simultaneously multiple I/Os connected together hence increasing the total sink capability.

*Example: on an SX1502, by driving an LED with both IO[2] and IO[3] one can sink up to  $24+24=48\text{mA}$ .*

Driving an LED with multiple I/Os can also be used to implement more intensity steps for the LED.

*Example: with two I/Os capable of sinking each  $24\text{mA}$  the LED can sink a total of  $0\text{mA}$  (no I/O set to "0"),  $24\text{mA}$  (one I/O set to "0") or  $48\text{mA}$  (both I/Os set to "0") => 3 LED intensity steps ( 4 steps with 3 I/Os, 5 steps with 4 I/Os, etc)*

### 6.3 Keypad Implementation

SX1501, SX1502, and SX1503 can be used to implement keypad applications up to  $8 \times 8$  matrix (i.e. 64 keys)

*Example: We want to implement a  $4 \times 4$  matrix keypad on SX1502*

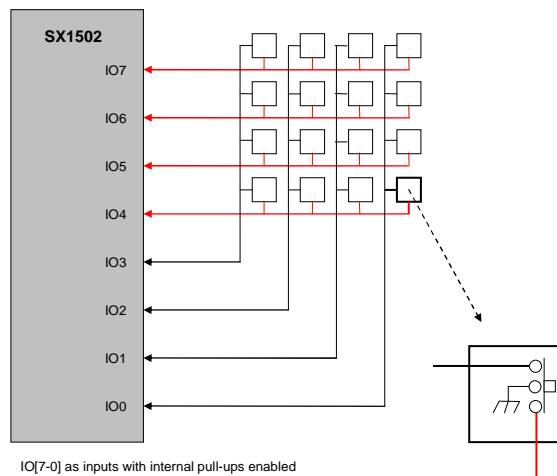


Figure 14 –  $4 \times 4$  keypad connection to SX1502

1. Set all I/Os as inputs with internal pull-up ( $\text{RegDir} = 0\text{xFF}$ ,  $\text{RegPullUp} = 0\text{xFF}$ )
2. Set NINT to be triggered on any IO's falling edge ( $\text{RegInterruptMask} = 0\text{x00}$ ,  $\text{RegSenseHigh} = 0\text{xAA}$ ,  $\text{RegSenseLow} = 0\text{xAA}$ )
3. When NINT goes low read  $\text{RegData}$  (or  $\text{RegInterruptSource}$ ) to know the X:Y coordinates of the button which has been pressed.
4. Clear NINT ( $\text{RegInterruptSource} = 0\text{xFF}$ , can be done automatically on SX1503 depending on  $\text{RegAdvanced}$  setting)
5. Restart from point 3

### 6.4 Level Shifter Implementation Hints

Because of their I/O banks with independent supply voltages between  $1.2\text{V}$  and  $5.5\text{V}$ , the SX1502 and SX1503 can be easily used to perform level shifting of signals from one I/O bank to another (uC reads I/O from one I/O bank and sends it back to the other I/O bank)

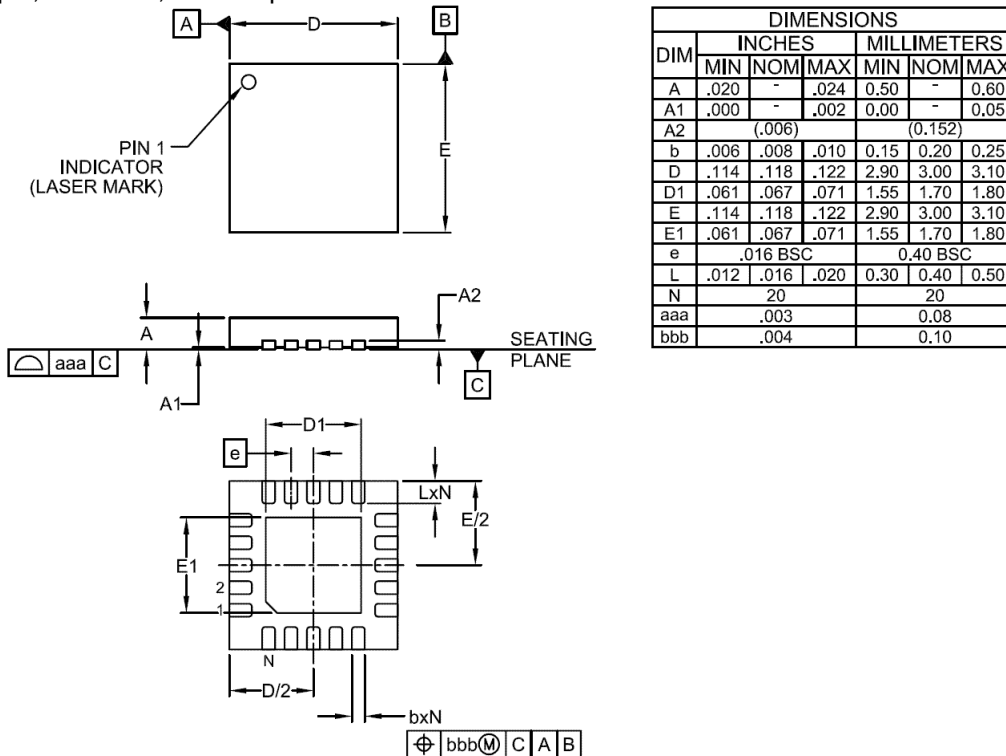
This can save significant BOM cost in a final application where only a few slow signals need to be level-shifted.

WIRELESS & SENSING

7 PACKAGING INFORMATION

7.1 QFN-UT 20-pin Outline Drawing

QFN-UT 20-pin, 3 x 3 mm, 0.4 mm pitch

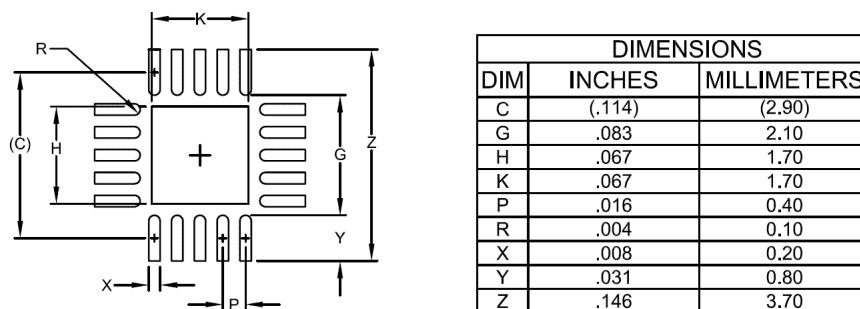


NOTES:

1. CONTROLLING DIMENSIONS ARE IN MILLIMETERS (ANGLES IN DEGREES).
2. COPLANARITY APPLIES TO THE EXPOSED PAD AS WELL AS THE TERMINALS.
3. DAP IS 1.90 x 1.90mm.

Figure 15 - Packaging Information – QFN-UT 20-pin Outline Drawing

7.2 QFN-UT 20-pin Land Pattern



NOTES:

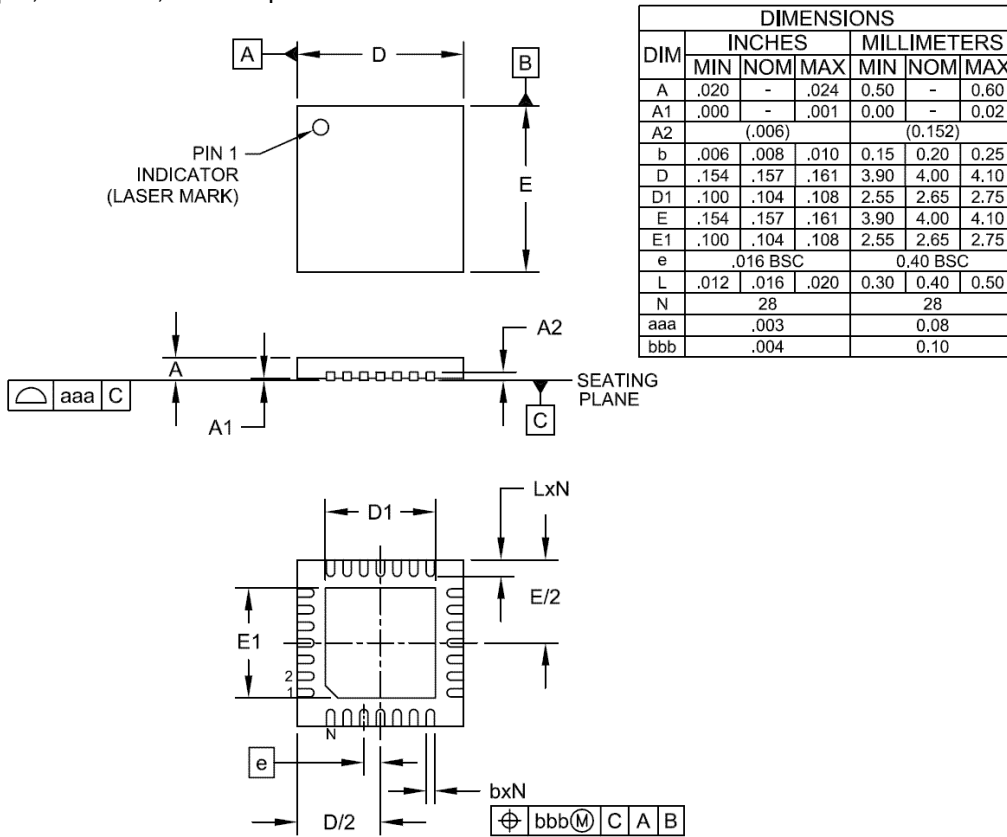
1. CONTROLLING DIMENSIONS ARE IN MILLIMETERS (ANGLES IN DEGREES).
2. THIS LAND PATTERN IS FOR REFERENCE PURPOSES ONLY. CONSULT YOUR MANUFACTURING GROUP TO ENSURE YOUR COMPANY'S MANUFACTURING GUIDELINES ARE MET.
3. THERMAL VIAS IN THE LAND PATTERN OF THE EXPOSED PAD SHALL BE CONNECTED TO A SYSTEM GROUND PLANE. FAILURE TO DO SO MAY COMPROMISE THE THERMAL AND/OR FUNCTIONAL PERFORMANCE OF THE DEVICE.

Figure 16 - Packaging Information – QFN-UT 20-pin Land Pattern

**WIRELESS & SENSING**

**7.3 QFN-UT 28-pin Outline Drawing**

QFN-UT 28-pin, 4 x 4 mm, 0.4 mm pitch

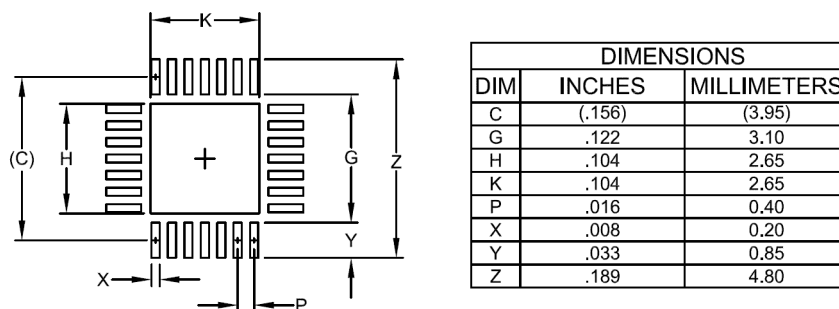


NOTES:

1. CONTROLLING DIMENSIONS ARE IN MILLIMETERS (ANGLES IN DEGREES).
2. COPLANARITY APPLIES TO THE EXPOSED PAD AS WELL AS THE TERMINALS.

Figure 17 - Packaging Information – QFN-UT 28-pin Outline Drawing

**7.4 QFN-UT 28-pin Land Pattern**



NOTES:

1. CONTROLLING DIMENSIONS ARE IN MILLIMETERS (ANGLES IN DEGREES).
2. THIS LAND PATTERN IS FOR REFERENCE PURPOSES ONLY. CONSULT YOUR MANUFACTURING GROUP TO ENSURE YOUR COMPANY'S MANUFACTURING GUIDELINES ARE MET.
3. THERMAL VIAS IN THE LAND PATTERN OF THE EXPOSED PAD SHALL BE CONNECTED TO A SYSTEM GROUND PLANE. FAILURE TO DO SO MAY COMPROMISE THE THERMAL AND/OR FUNCTIONAL PERFORMANCE OF THE DEVICE.
4. SQUARE PACKAGE-DIMENSIONS APPLY IN BOTH X AND Y DIRECTIONS.

Figure 18 - Packaging Information – QFN-UT 28-pin Land Pattern

**WIRELESS & SENSING**
**8 SOLDERING PROFILE**

The soldering reflow profile for the SX1501, SX1502 and SX1503 is described in the standard IPC/JEDEC J-STD-020C. For detailed information please go to <http://www.jedec.org/download/search/jstd020c.pdf>

Profile Feature	Sn-Pb Eutectic Assembly	Pb-Free Assembly
Average Ramp-Up Rate ( $T_{S_{max}}$ to $T_p$ )	3 °C/second max.	3° C/second max.
<b>Preheat</b>		
- Temperature Min ( $T_{S_{min}}$ )	100 °C	150 °C
- Temperature Max ( $T_{S_{max}}$ )	150 °C	200 °C
- Time ( $t_{S_{min}}$ to $t_{S_{max}}$ )	60-120 seconds	60-180 seconds
Time maintained above:		
- Temperature ( $T_L$ )	183 °C	217 °C
- Time ( $t_L$ )	60-150 seconds	60-150 seconds
Peak/Classification Temperature ( $T_p$ )	See Table 4.1	See Table 4.2
Time within 5 °C of actual Peak Temperature ( $t_p$ )	10-30 seconds	20-40 seconds
Ramp-Down Rate	6 °C/second max.	6 °C/second max.
Time 25 °C to Peak Temperature	6 minutes max.	8 minutes max.

**Note 1:** All temperatures refer to topside of the package, measured on the package body surface.

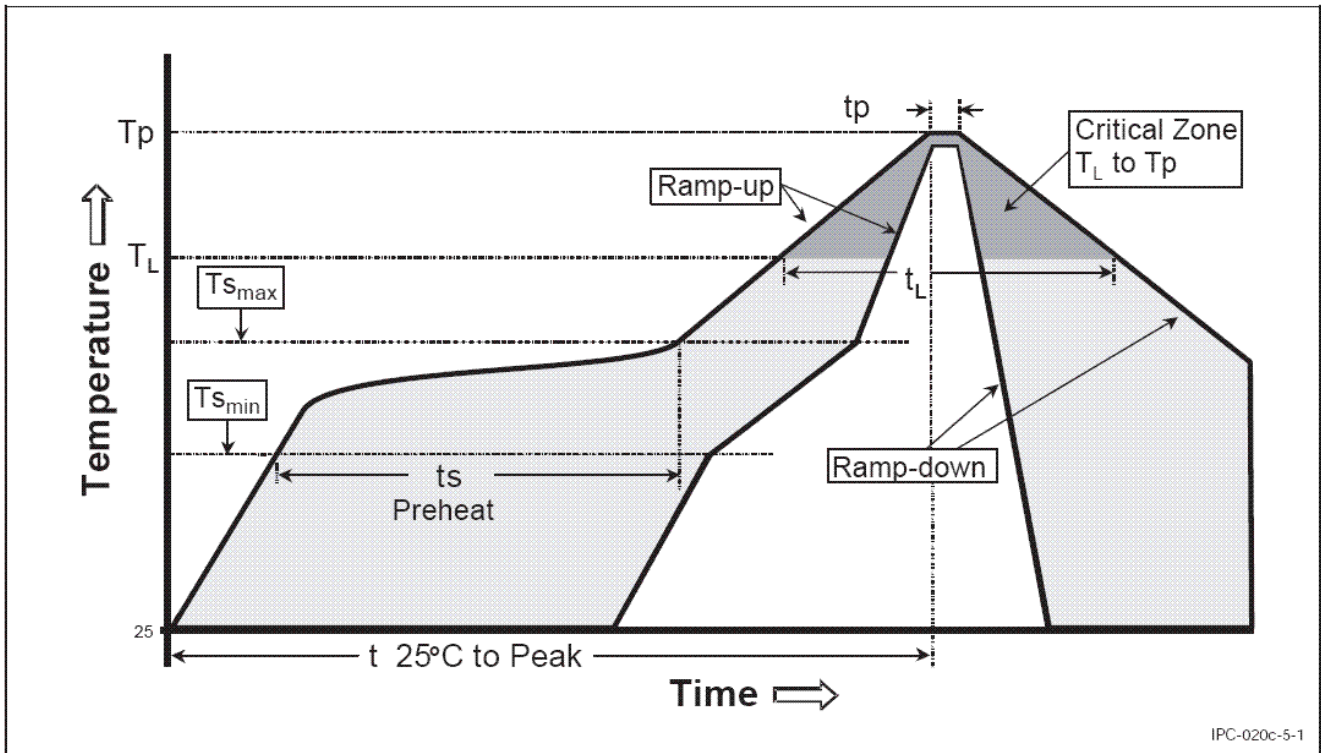


Figure 19 - Classification Reflow Profile (IPC/JEDEC J-STD-020C)



**WIRELESS & SENSING**

© Semtech 2012

All rights reserved. Reproduction in whole or in part is prohibited without the prior written consent of the copyright owner. The information presented in this document does not form part of any quotation or contract, is believed to be accurate and reliable and may be changed without notice. No liability will be accepted by the publisher for any consequence of its use. Publication thereof does not convey nor imply any license under patent or other industrial or intellectual property rights. Semtech assumes no responsibility or liability whatsoever for any failure or unexpected operation resulting from misuse, neglect improper installation, repair or improper handling or unusual physical or electrical stress including, but not limited to, exposure to parameters beyond the specified maximum ratings or operation outside the specified range.

SEMTECH PRODUCTS ARE NOT DESIGNED, INTENDED, AUTHORIZED OR WARRANTED TO BE SUITABLE FOR USE IN LIFE-SUPPORT APPLICATIONS, DEVICES OR SYSTEMS OR OTHER CRITICAL APPLICATIONS. INCLUSION OF SEMTECH PRODUCTS IN SUCH APPLICATIONS IS UNDERSTOOD TO BE UNDERTAKEN SOLELY AT THE CUSTOMER'S OWN RISK. Should a customer purchase or use Semtech products for any such unauthorized application, the customer shall indemnify and hold Semtech and its officers, employees, subsidiaries, affiliates, and distributors harmless against all claims, costs damages and attorney fees which could arise.

Notice: All referenced brands, product names, service names and trademarks are the property of their respective owners.

**Contact Information**

Semtech Corporation  
Wireless and Sensing Products Division  
200 Flynn Road, Camarillo, CA 93012  
Phone: (805) 498-2111 Fax: (805) 498-3804