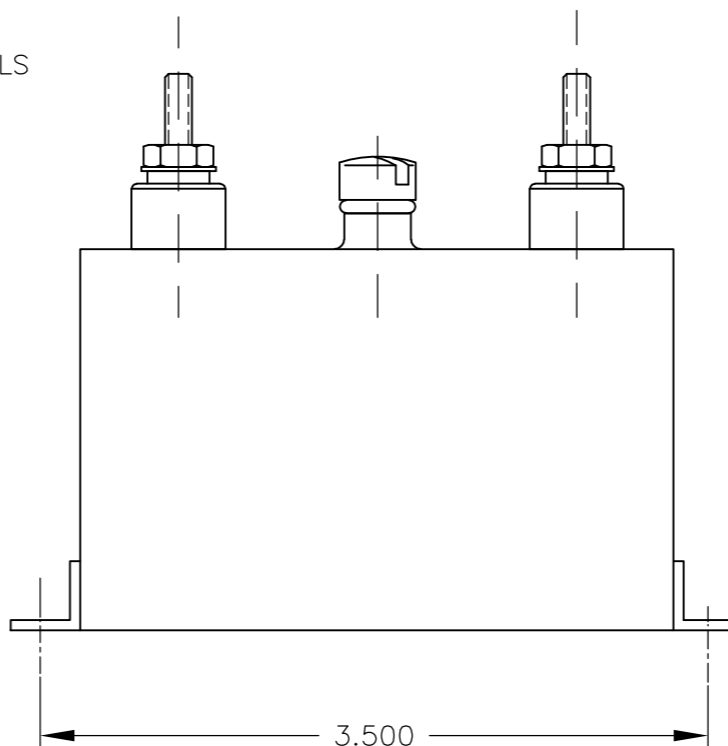
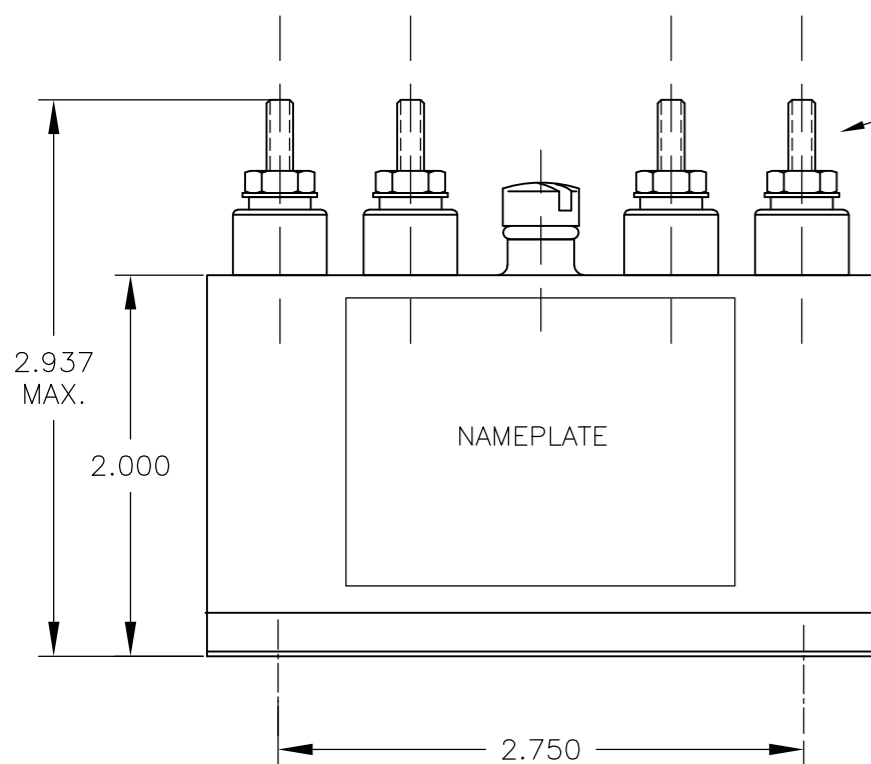
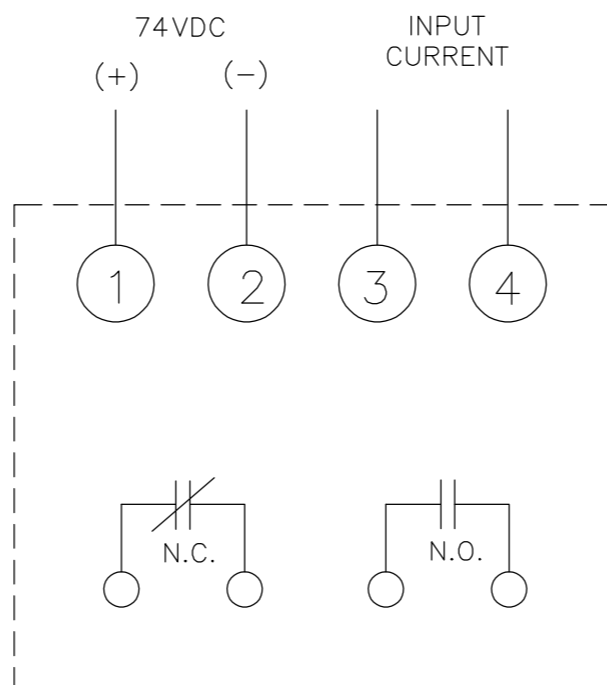


1 1/64" DIA.
4 MTG. HOLES

10-32 TERMINALS
(8 PLACES)



CONNECTION DIAGRAM



SPECIFICATIONS

1. CONTROL VOLTAGE : 74 VOLTS DC.
2. INPUT CURRENT : 0-30 AMP AC, 50Hz TO 500Hz.
3. OPERATION : THE SELF CONTAINED OUTPUT RELAY ACTUATES WHEN INPUT CURRENT EXCEEDS THE PRESET VALUE.
4. PICK-UP ADJUSTMENT RANGE : 7 AMPS TO 30 AMPS. SCREWDRIVER ADJUSTABLE.
5. OUTPUT CONTACTS : ONE SET N.C.; ONE SET N.O.
6. CONTACT RATING : 5 AMP. RESISTIVE AT 120VAC OR 28VDC IN
9. BURDEN : CURRENT CIRCUIT : 2.5VA AT 30AMP
CURRENT VOLTAGE : 1.0VA
10. CONSTRUCTION : SOLID STATE SENSOR WITH RELAY OUTPUT ENCLOSED IN A SEALED STEEL CAN.

NOTES

1. REMOVE SCREW FOR ACCESS TO PICK-UP ADJUST.
2. CLOCKWISE ROTATION OF THE ADJUSTING POTENTIOMETER WILL RAISE THE CURRENT TRIP POINT.
3. THE CONTACTS ARE SHOWN IN THE DE-ENERGIZED POSITION.
4. RELAYS MANUFACTURED FOR ELECTRO-MOTIVE DIVISION ARE FACTORY SET AS FOLLOWS:
EMD PART NO. 9097134 : 11.5 AMP
EMD PART NO. 10571447 : 7.0 AMP
5. RELAYS FOR ELECTRO-MOTIVE DIV. TO BE STAMPED EMD # 9097134 OR EMD # 10571447 IN LOCATION SHOWN. SERIAL NO. AND DATE ALSO TO APPEAR ON FACE OF RELAY.
6. CONTACT RESISTANCE IS FACTORY TESTED NOT TO EXCEED 100mΩ AT 28VDC AND 100mA.

CD CUSTOMER DRAWING

DRAWING PER ASME/ANSI Y14.5	
THIRD ANGLE PROJECTION	
ALL DIMENSIONS ARE IN INCHES UNLESS OTHERWISE SPECIFIED. Block Tolerances are not applied if values are set to zero.	
FRACTIONS ±1/64	DECIMALS .XX = ±.01 .XXX = ±.005
ANGLES ± 1°	
±1°	⓪.005
CAGE CODE 18741	EDITED BY RM
EFTV DATE 07-02-14	APPROVED BY TN
APRV DATE 07-02-14	SCALE 1:1

550 Linden Ave. Carpinteria, CA US 93013 Internet: www.te.com	
TITLE RELAY, CURRENT SENSITIVE	
ECD No.	REV. A
REDRAW	KILOVAC. NO. SD
1100-21X	
SCALE 1:1	DO NOT SCALE DRAWING
SHEET 1 of 1	SIZE B

REV DCO/ECC