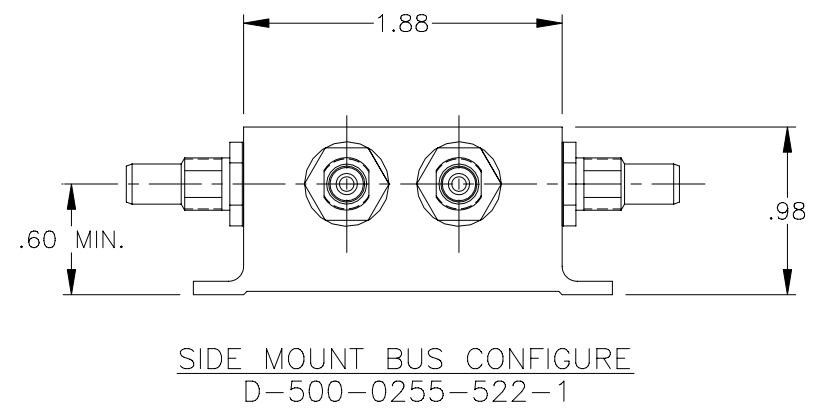
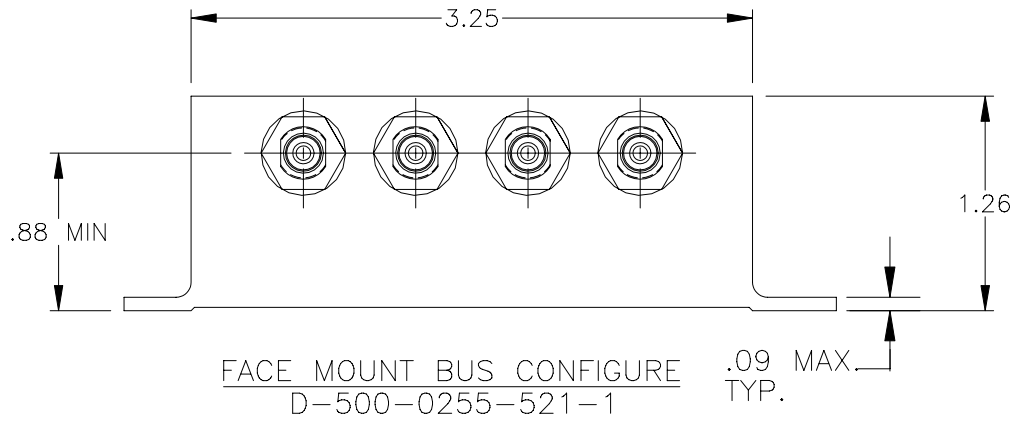
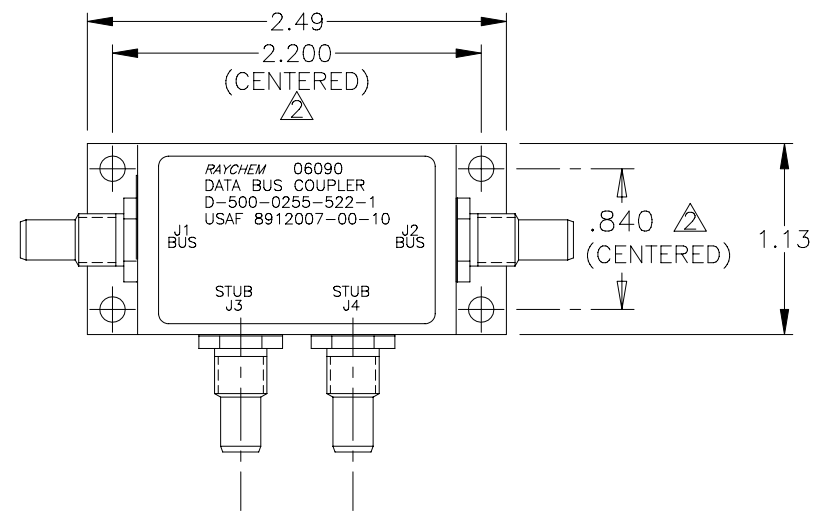
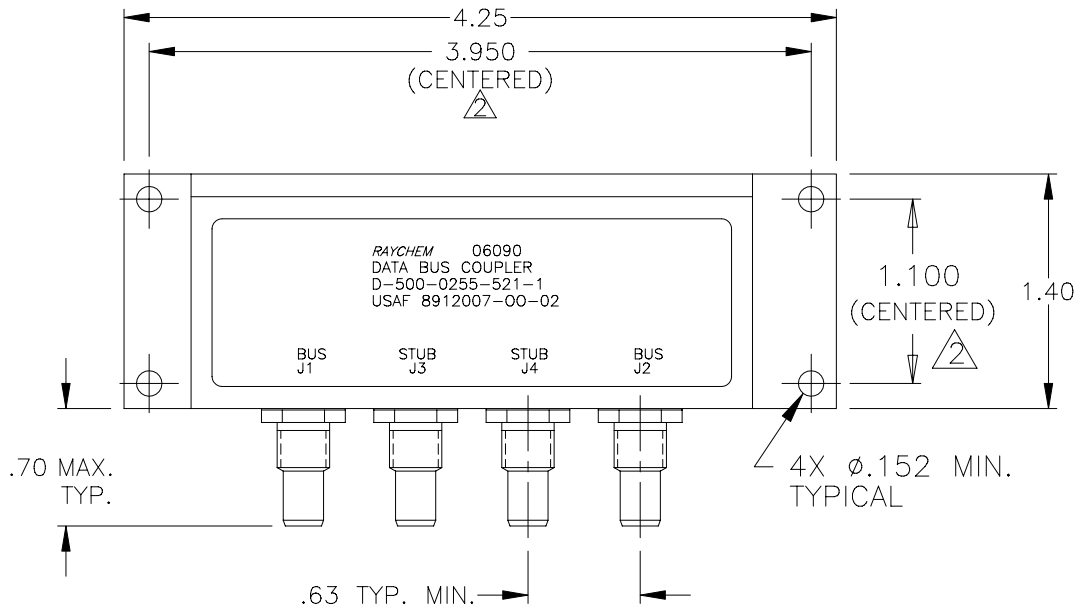


REVISIONS		DATE	APPROVED
LTR	DESCRIPTION		
C	REVISED PER ECN# T-20119	92 JAN 8	Z. TEMAN
D	REVISED PER ECN# T-20326		



3 WEIGHT: D-500-0255-521-1 150 grams MAX.
D-500-0255-522-1 88 grams MAX.

2 HOLE PATTERN MACHINED SYMMETRIC TO MOUNTING FLANGE.

1. ORIENTATION OF CONNECTORS IS APPROXIMATELY AS SHOWN.

NOTES:

If this document is printed it becomes uncontrolled.
Check for the latest revision.

UNLESS OTHERWISE SPECIFIED DIMENSIONS ARE IN INCHES. METRIC DIMENSIONS ARE IN BRACKETS.	DRAWN	J.B.K.	91 NOV 4	tyco Electronics	Tyco Electronics Corporation 300 Constitution Drive Menlo Park, CA. 94025 U.S.A.	Raychem						
	CHECKED											
	APPROVED			TITLE	2 STUB DATA BUS BOX COUPLER WITH THREADED TRIAXIAL CONNECTORS							
	APPROVED	Z.TEMAN	92 JAN 8	CAD NAME	009050-1	SIZE	A	CODE IDENT. NO.	06090	DWG. NO.	D-500-0255-521/522-1	REV
WEIGHT	3		THIRD ANGLE PROJECTION	DO NOT SCALE THIS DRAWING		SHEET 1 OF 2						

SPECIFICATION CONTROL DRAWING

1.0 INTERMATEABILITY

BUS JACKS J1 AND J2	MATING PLUG
DK-621-0412-P (8340711-00-01)	DK-621-0411-S (8340709-00-02)

STUB JACKS J3 AND J4	MATING PLUG
DK-621-0412-S (8340711-00-02)	DK-621-0411-P (8340709-00-01)

2.0 PERFORMANCE

- 2.1 THIS COUPLER IS DESIGNED TO MEET THE APPLICABLE FUNCTIONAL REQUIREMENT OF RAYCHEM SPECIFICATION D-6021 AND USAF 8912007.
- 2.2 THE COUPLER SHALL OPERATE UNDER ANY OF THE ENVIRONMENTAL SERVICE CONDITIONS AS SPECIFIED IN MIL-E-5400, CLASS Ⅴ UPGRADED TO 125°C CONTINUOUS OPERATION.
- 2.3 ALTITUDE: SEA LEVEL TO 75,000 FEET

SCHEMATIC DIAGRAM