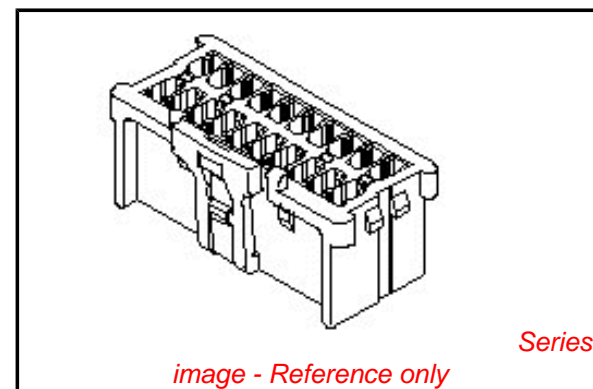


PLEASE CHECK WWW.MOLEX.COM FOR LATEST PART INFORMATION

Part Number: [0513531000](#)
Status: **Active**
Overview: microclasp
Description: 2.00mm (.079") Pitch MicroClasp™ Wire-to-Board Receptacle Housing, Positive Lock, Dual Row, 10 circuits

Documents:

3D Model	Product Specification PS-51353-010 (PDF)
Drawing (PDF)	RoHS Certificate of Compliance (PDF)
Product Specification PS-51353-003 (PDF)	



Agency Certification

UL E29179

General

Product Family	Crimp Housings
Series	51353
Overview	microclasp
Product Name	MicroClasp™

Physical

Circuits (maximum)	10
Color - Resin	White
Flammability	94V-0
Gender	Female
Glow-Wire Compliant	No
Lock to Mating Part	Yes
Material - Resin	Nylon
Number of Rows	2
Packaging Type	Bag
Panel Mount	No
Pitch - Mating Interface (in)	0.079 In
Pitch - Mating Interface (mm)	2.00 mm
Stackable	No
Temperature Range - Operating	-25°C to +85°C

Material Info

Reference - Drawing Numbers

Packaging Specification	SPK-51353-001
Product Specification	PS-51353-003, PS-51353-010, RPS-501844-001, RPS-51353-005, RPS-51353-008, RPS-51353-009, RPS-51353-010, RPS-51353-013, RPS-51353-014, RPS-51353-015, RPS-51353-016, RPS-51353-017, RPS-51353-018, RPS-51353-019, RPS-51353-020, RPS-51353-021, RPS-51353-022, RPS-51353-023, RPS-51353-024, RPS-51353-025, RPS-51353-026, RPS-51353-028, RPS-51353-030
Sales Drawing	SD-51353-002

EU RoHS

ELV and RoHS Compliant
REACH SVHC
 Not Reviewed
Halogen-Free Status
 Not Reviewed

China RoHS



Need more information on product environmental compliance?

Email productcompliance@molex.com
 For a multiple part number RoHS Certificate of Compliance, [click here](#)

Please visit the [Contact Us](#) section for any non-product compliance questions.

Search Parts in this Series

[51353Series](#)

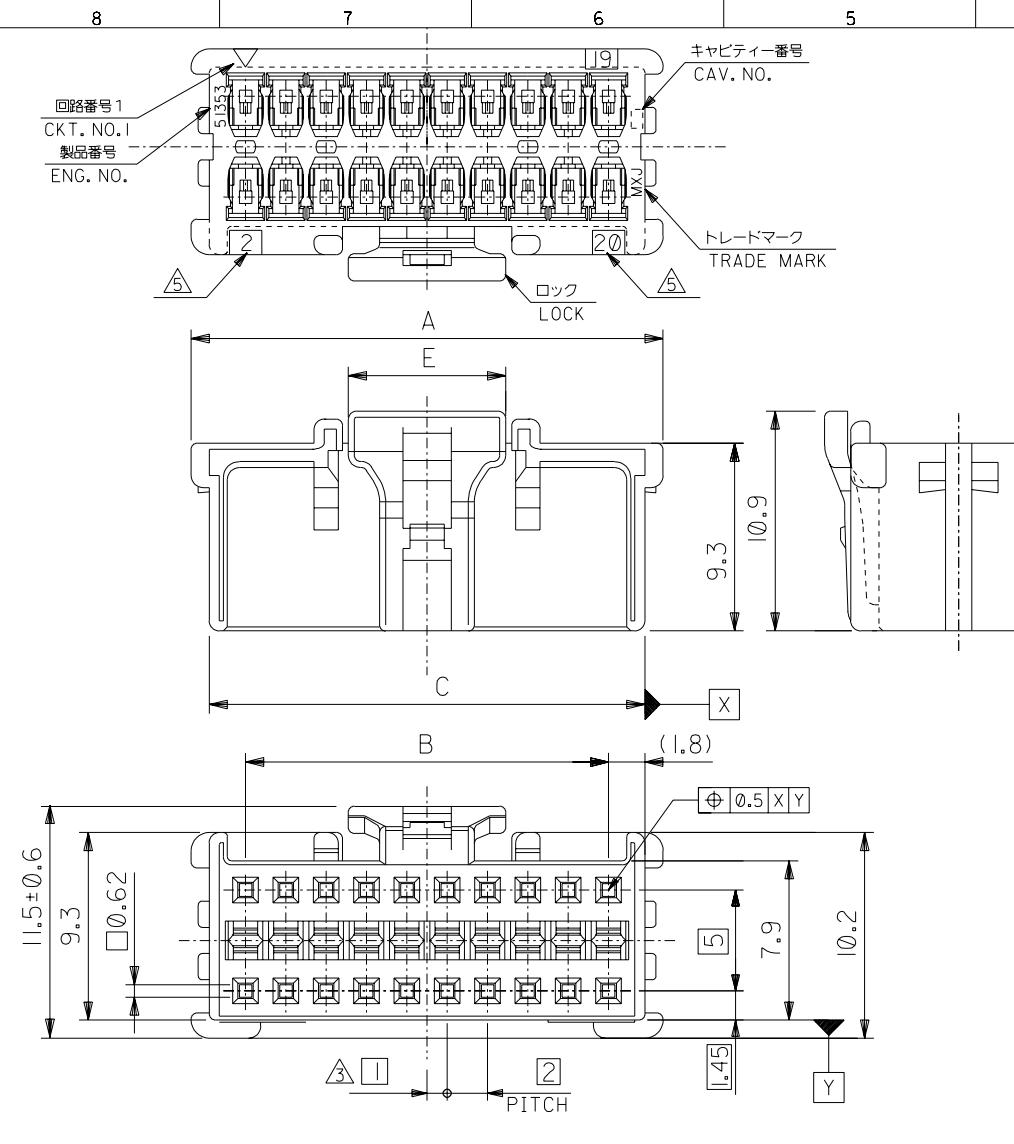
Mates With

[55917](#) Vertical Header with Kinked PC Tails, [55959](#) Right Angle Header, [501844](#) Vertical Header

Use With

[56134](#) Terminal

DO NOT SCALE DRAWING

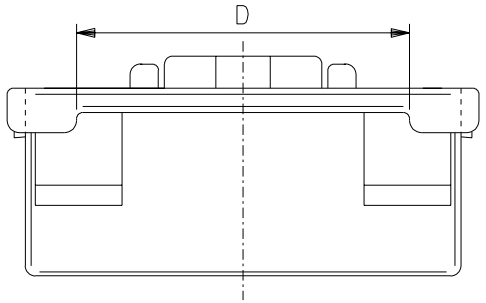


注記 NOTES

- △ 適合ターミナル : 56134-9000, 9100
APPLICABLE TERMINAL : 56134-9000, 9100
- 2. 嵌合相手 : 55917, 55959 シリーズ
MATE WITH : 55917, 55959 SERIES
(全極数/2) = 偶数の場合に適用。
APPLY FOR (CIRCUIT/2)=EVEN
- △ 製品番号 MATERIAL NO. 51353-**-0*
- △ ロック側の回路番号表示は、8~14極は無し、16~40極は有り。
LOCK SIDE CKT. NO. DIDN'T INDICATED 8~14CKT,
INDICATE 16~40CKT.

極数 CIRCUIT SIZE 色 COLOR

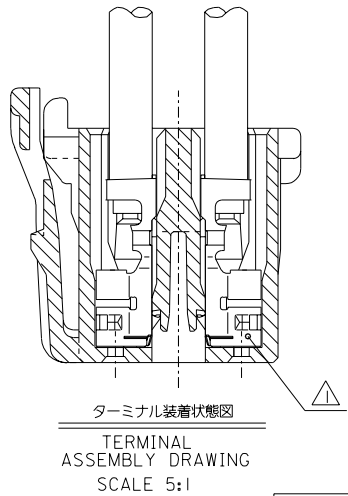
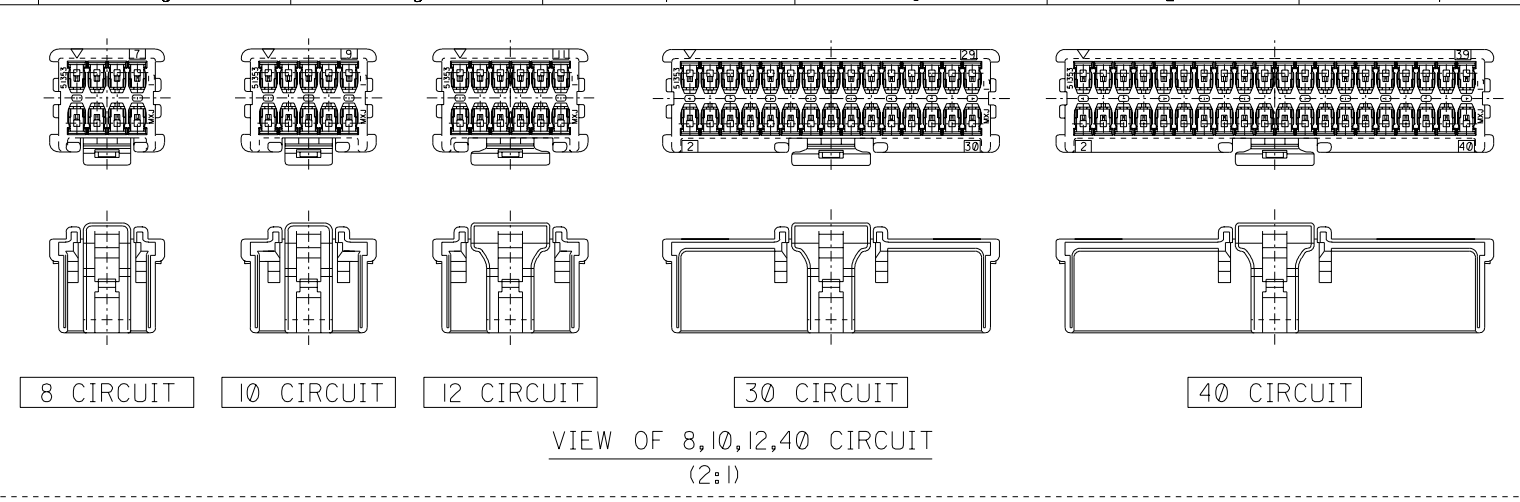
ナチュラル (白) NATURAL (WHITE)	0
黒 BLACK	1
赤 RED	2
黄 YELLOW	3
青 BLUE	4
桃 PINK	5
緑 GREEN	6
茶 BROWN	7
橙 ORANGE	8
紫 VIOLET	9



7.8	36.5	41.6	38	43.4	51353-400*	40
	34.5	39.6	36	41.4	-380*	38
	32.5	37.6	34	39.4	-360*	36
	30.5	35.6	32	37.4	-340*	34
	28.5	33.6	30	35.4	-320*	32
	26.5	31.6	28	33.4	-300*	30
	24.5	29.6	26	31.4	-280*	28
	22.5	27.6	24	29.4	-260*	26
	20.5	25.6	22	27.4	-240*	24
	18.5	23.6	20	25.4	-220*	22
	16.5	21.6	18	23.4	-200*	20
	14.5	19.6	16	21.4	-180*	18
	12.5	17.6	14	19.4	-160*	16
	10.5	15.6	12	17.4	-140*	14
7.8	8.5	13.6	10	15.4	-120*	12
4.7	6.5	11.6	8	13.4	-100*	10
4.7	4.5	9.6	6	11.4	51353-080*	8
E	D	C	B	A	MATERIAL NO.	CKT.

EC NO. DRWN: CHK: APPR:	REVISED	MATERIAL 材料 66NYLON, UL94V-0	GENERAL TOLERANCES: (UNLESS SPECIFIED) 一般公差	SCALE	DESIGN UNITS	MODEL NO. 51353-**-0*	DIMENSIONS:		SHT	REV		
	EC NO. J2003-0719 DRWN:N.ITO '02/10/22 CHK: K.ASAKAWA APPR:T.YAMAGUCHI			10 UNDER 未滿	mm		THIRD ANGLE PROJECTION	mm	INCH	mm	ONLY	REVISE ON CAD ONLY
	REVISED			10 OVER 30 UNDER 未滿	mm		INCH	mm	ONLY			
	EC NO. J2003-0066 DRWN:N.ITO '02/07/08 CHK: K.ASAKAWA APPR:T.YAMAGUCHI			30 OVER 以上	mm		INCH	mm	ONLY			
REVISED	EC NO. J2002-2307 DRWN:N.ITO '02/03/18 CHK: K.ASAKAWA APPR:T.YAMAGUCHI	FINISH 仕上げ	ANGLE 角度	DRAWN BY & DATE N.ITO '01/12/17		TITLE: 2.0mm W+-B DUAL CONN DIP RCPT HOUSING	MOLEX INCORPORATED					
REVISED	EC NO. J2002-1196 DRWN:N.ITO '01/12/17 CHK: K.ASAKAWA APPR:T.YAMAGUCHI	WIRE RANGE 適用線径範囲		CHECKED BY & DATE K.ASAKAWA '02/10/22			MATERIAL NO.	DRAWING NO.	SHEET NO.	REV		
REVISED	EC NO. J2002-2307 DRWN:N.ITO '02/03/18 CHK: K.ASAKAWA APPR:T.YAMAGUCHI	INS. RANGE 被覆外径		APPROVED BY & DATE T.YAMAGUCHI '02/10/22		SEE CHART	SD-51353-002	1 OF 2				
REVISED	EC NO. J2003-0066 DRWN:N.ITO '02/07/08 CHK: K.ASAKAWA APPR:T.YAMAGUCHI			CAD FILENAME 51353002.S01		THIS DRAWING CONTAINS INFORMATION THAT IS PROPRIETARY TO MOLEX INCORPORATED AND SHOULD NOT BE USED WITHOUT WRITTEN PERMISSION.						

DWG. NO. SD-51353-002



DO NOT SCALE DRAWING

EC NO. DRWN: CH'K: APPR:	REVISED	MATERIAL 材料 SEE CHART 1 OF 2	FINISH 仕上り //	WIRE RANGE 適用線径範囲 //	INS. RANGE 被覆外径 //			
	EC NO. J2003-0719 DRWN:N.ITO '02/09/12 CH'K: K.ASAKAWA APPR:T.YAMAGUCHI							
	REVISED							
	EC NO. J2003-0066 DRWN:N.ITO '02/07/08 CH'K: K.ASAKAWA APPR:T.YAMAGUCHI							
	REVISED							
EC NO. J2002-2307 DRWN:N.ITO '02/03/18 CH'K: K.ASAKAWA APPR:T.YAMAGUCHI	GENERAL TOLERANCES: (UNLESS SPECIFIED) 一般公差	DESCRIPTION	ANGLE 角度 ±3°	REVISIONS				
A					10 UNDER 未満 ±0.2	10 OVER 以上 ±0.25	30 UNDER 未満 ±0.25	30 OVER 以上 ±0.3
0					RELEASED	EC NO. J2002-1196 DRWN:N.ITO '01/12/17 CH'K: K.ASAKAWA APPR:T.YAMAGUCHI		

51353-**-0*		MODEL NO.	DIMENSIONS:		SHT	REV
SCALE //	DESIGN UNITS ☒ mm ☐ INCH	THIRD ANGLE PROJECTION ☉ ☐	☐ mm INCH ☐ mm	☒ mm ONLY		REVISE ON CAD ONLY
DRAWN BY & DATE N.ITO '01/12/17		TITLE: 2.0mm W+-B DUAL CONN DIP RCPT HOUSING				
CHECKED BY & DATE K.ASAKAWA '02/09/12		APPROVED BY & DATE T.YAMAGUCHI '02/09/12				
CAD FILENAME 51353002.S02		MATERIAL NO. SEE CHART	DRAWING NO. SD-51353-002	SHEET NO. 2 OF 2		
THIS DRAWING CONTAINS INFORMATION THAT IS PROPRIETARY TO MOLEX INCORPORATED AND SHOULD NOT BE USED WITHOUT WRITTEN PERMISSION.					SIZE B	