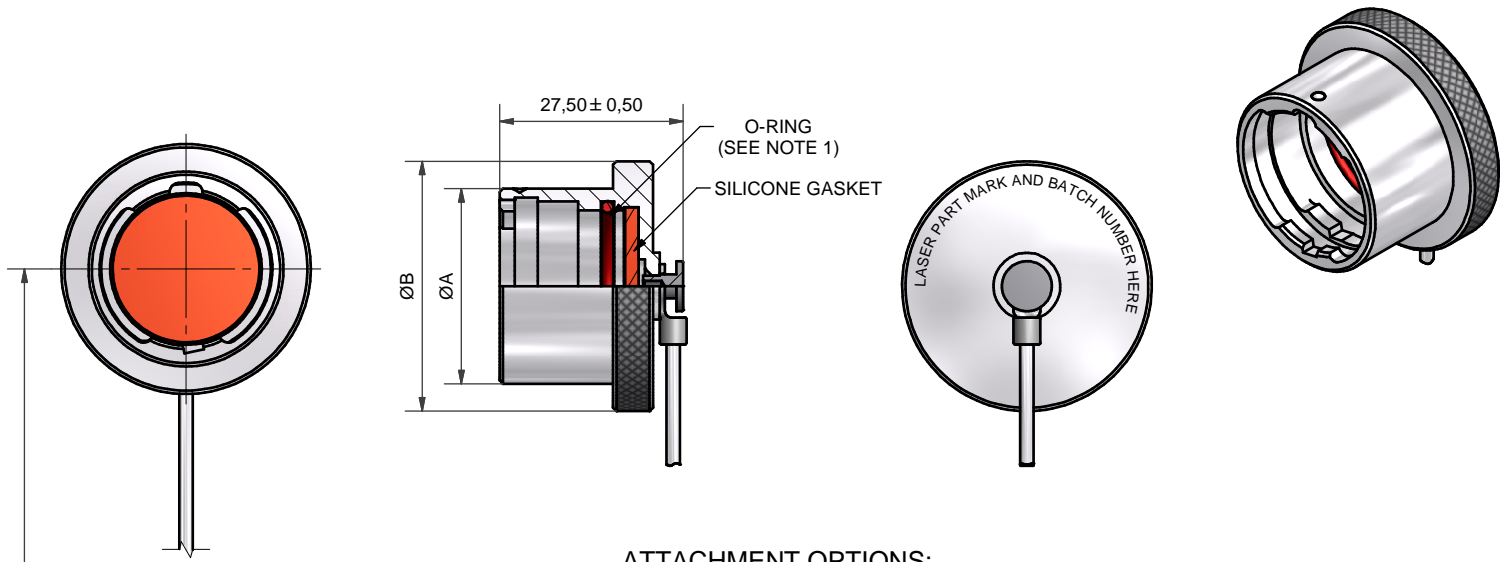
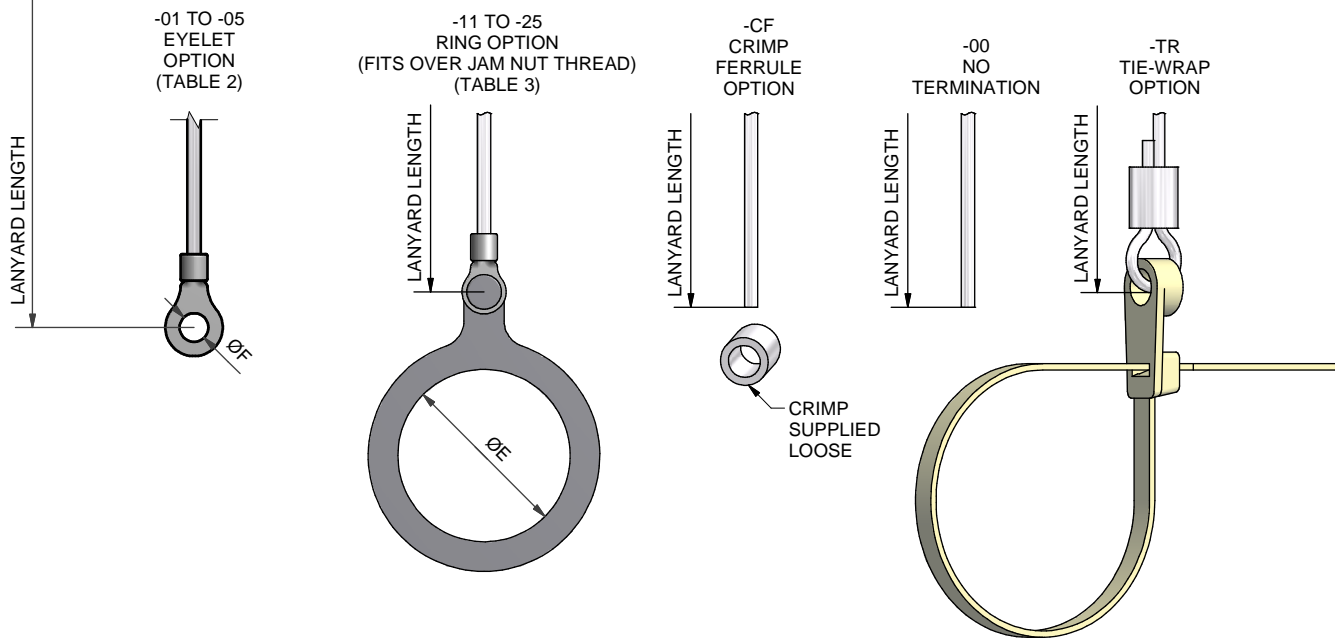


WITH ATTACHMENT



ATTACHMENT OPTIONS:



OMIT FOR NO ATTACHMENT  
(SEE SHEET 2)

100P608-17-1-C-WR4-17

SERIES \_\_\_\_\_  
 SHELL SIZE (TABLE 1) \_\_\_\_\_  
 MATERIAL (TABLE 5) \_\_\_\_\_  
 FINISH (TABLE 6) \_\_\_\_\_  
 LANYARD TYPE (TABLE 4) \_\_\_\_\_  
 LANYARD LENGTH (IN INCHES) \_\_\_\_\_  
 +1,0"/-0" TOLERANCE  
 ATTACHMENT (SEE ABOVE) \_\_\_\_\_  
 INSERT SUFFIX '-CON' FOR  
 CONDUCTIVE O-RING (NOTE 2)  
 OMIT FOR STANDARD SILICONE

NOTE 1:  
 STAINLESS STEEL COVER  
 SUPPLIED WITH VITON O-RING

NOTE 2:  
 CONDUCTIVE O-RING MATERIAL IS SILICONE LOADED  
 WITH SILVER-PLATED ALUMINIUM.

<b>DRAWN</b> K.SHEPPARD	<b>DATE</b> 23/06/2011	<p>3RD ANGLE PROJECTION NOT TO SCALE</p>	<p><b>POLAMCO LTD</b> www.polamco.com</p>	<p>WESTON LOCK LOWER BRISTOL ROAD BATH BA2 1EP</p>	<p>THIS DRAWING IS COPYRIGHT AND THE PROPERTY OF POLAMCO LTD IT MUST NOT BE COPIED, USED FOR MANUFACTURE OR OTHERWISE DISCLOSED WITHOUT PRIOR WRITTEN CONSENT OF THE COMPANY.</p>
<b>SALES APPR</b>	23/06/2011				
<b>DESIGN APPR</b>		<p>UNLESS OTHERWISE SPECIFIED ALL DIMENSIONS IN MILLIMETRES <b>GENERAL TOL</b> LINEAR +/-0.25MM ANGULAR +/- 1°</p>	<p><b>ASSY USED ON: MIL-DTL-38999 SERIES IV</b></p>		
<b>PROD APPR</b>		<p><b>MATERIAL</b> SEE ABOVE</p>	<p><b>TITLE:</b> <b>RECEPTACLE PROTECTION COVER</b></p>		
<b>QUAL APPR</b>		<p><b>FINISH</b> SEE ABOVE</p>	<p><b>PART NUMBER:</b> <b>100P608 SERIES</b></p>	<p><b>DRAWING NO:</b> <b>P15474</b></p>	<p><b>SHT</b> <b>1</b></p>
<b>ISSUE</b> 7	DCR 3969				
NCAGE CODE U5792		WEIGHT			

TABLE 1

SHELL SIZE	ØA MAX	ØB MAX
11	19,7	26,6
13	22,9	31,0
15	26,4	34,2
17	29,2	37,4
19	32,4	40,2
21	35,6	43,3
23	38,4	46,5
25	41,9	49,7

TABLE 2

EYELET REF.	ØF
01	3,2
02	3,7
03	4,3
04	5,3
05	6,4

TABLE 3

RING REF.	ØE
11	25,8
13	28,8
15	32,0
17	35,0
19	38,3
21	41,7
23	44,6
25	48,0

TABLE 4

CODE	LANYARD TYPE
WR	NYLON COVERED (CLEAR) STAINLESS STEEL WIRE ROPE
TC	TEFLON COVERED (CLEAR) STAINLESS STEEL WIRE ROPE
WG	TEFLON COVERED (OLIVE DRAB) STAINLESS STEEL WIRE ROPE
WB	TEFLON COVERED (BLACK) STAINLESS STEEL WIRE ROPE
WRB	PVC COVERED (BLACK) STAINLESS STEEL WIRE ROPE
LC	LINK CHAIN
BK	BLACK CORD
VGB	1,5mm BLACK POLYESTER CORD EQV. TO DIN83330-E1,5
B	BEAD CHAIN
R	OLIVE DRAB POLYESTER CORD
NB	OLIVE DRAB NYLON CORD
NK	BLACK NYLON CORD

TABLE 5

CODE	MATERIAL
1	ALUMINIUM
2	NICKEL ALUMINIUM BRONZE
4	STAINLESS STEEL

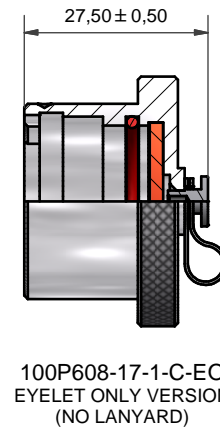
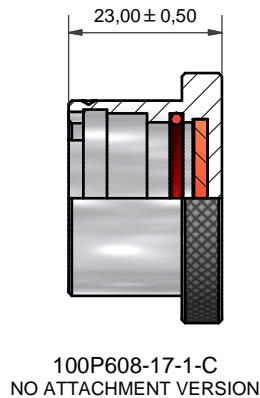
LIST NOT EXHAUSTIVE, SEE MATERIAL TABLE FOR OTHER OPTIONS

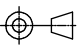

TABLE 6

CODE	DESCRIPTION
B	CADMIUM, OLIVE DRAB OVER ELECTROLESS NICKEL
C	ELECTROLESS NICKEL
G	BLACK ANODISE, SULPHURIC
J	PASSIVATE
U	UNPLATED CLEAN FINISH NOT SHOT BLASTED
Z	SHOT BLAST FOR NON-REFLECTIVE FINISH
ZB	ZINC COBALT OLIVE DRAB OVER ELECTROLESS NICKEL
ZN	ZINC NICKEL BLACK PASSIVATE OVER ELECTROLESS NICKEL

LIST NOT EXHAUSTIVE, SEE PLATING TABLE FOR OTHER OPTIONS

### WITHOUT ATTACHMENT



<b>DRAWN</b> K.SHEPPARD	<b>DATE</b> 23/06/2011	 3RD ANGLE PROJECTION NOT TO SCALE	 <b>POLAMCO LTD</b> www.polamco.com	WESTON LOCK LOWER BRISTOL ROAD BATH BA2 1EP	THIS DRAWING IS COPYRIGHT AND THE PROPERTY OF POLAMCO LTD IT MUST NOT BE COPIED, USED FOR MANUFACTURE OR OTHERWISE DISCLOSED WITHOUT PRIOR WRITTEN CONSENT OF THE COMPANY.
<b>SALES APPR</b>	23/06/2011				
<b>DESIGN APPR</b>		UNLESS OTHERWISE SPECIFIED ALL DIMENSIONS IN MILLIMETRES <b>GENERAL TOL</b> LINEAR +/-0,25MM ANGULAR +/- 1°	<b>ASSY USED ON:</b> MIL-DTL-38999 SERIES IV		
<b>PROD APPR</b>		<b>MATERIAL</b> SEE ABOVE	<b>TITLE:</b> RECEPTACLE PROTECTION COVER		
<b>QUAL APPR</b>			<b>FINISH</b> SEE ABOVE	<b>PART NUMBER:</b> 100P608 SERIES	<b>DRAWING NO:</b> P15474
<b>ISSUE</b> 7	DCR 3969				<b>SHT</b> 2
NCAGE CODE U5792		<b>WEIGHT</b> —			