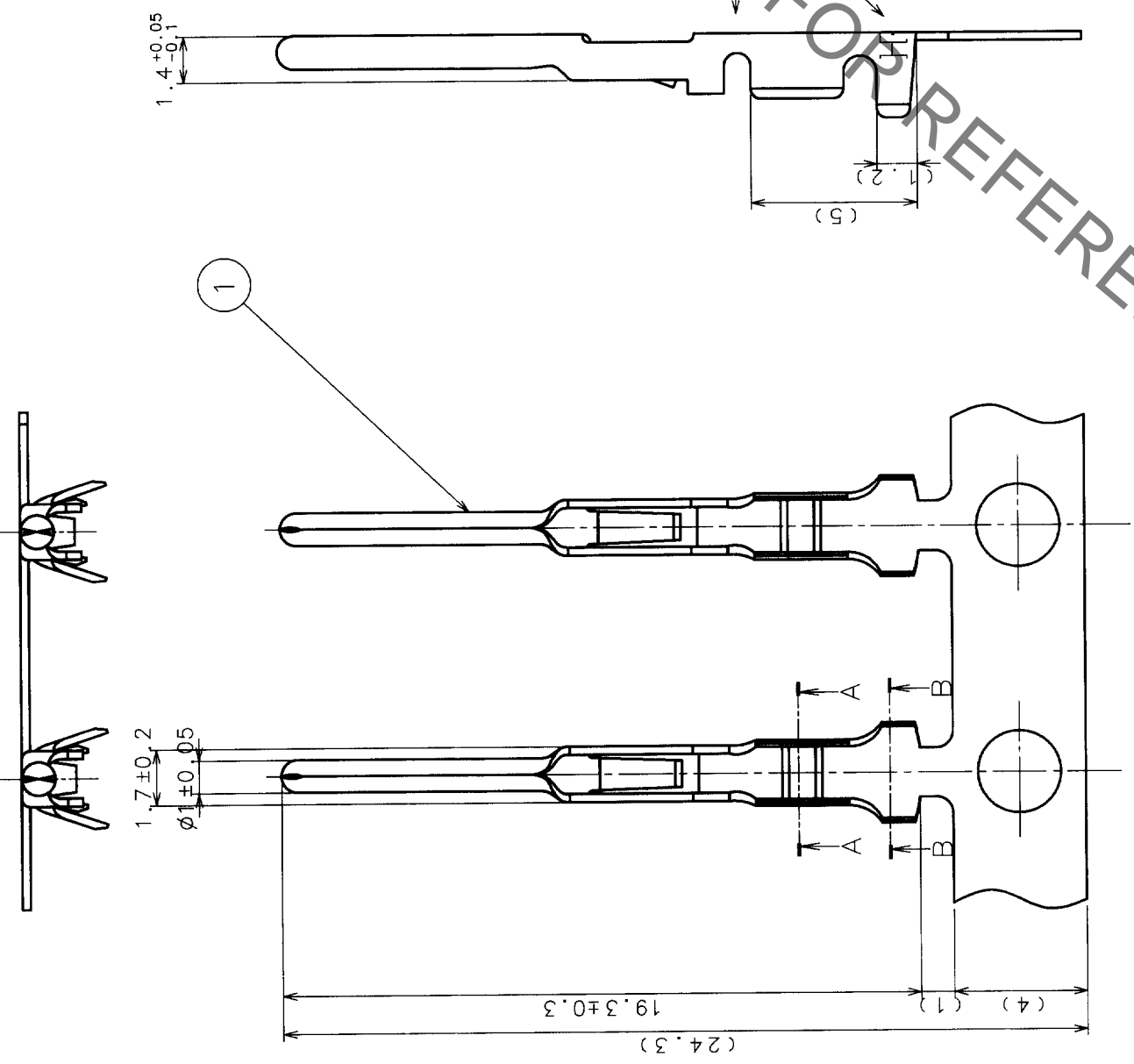
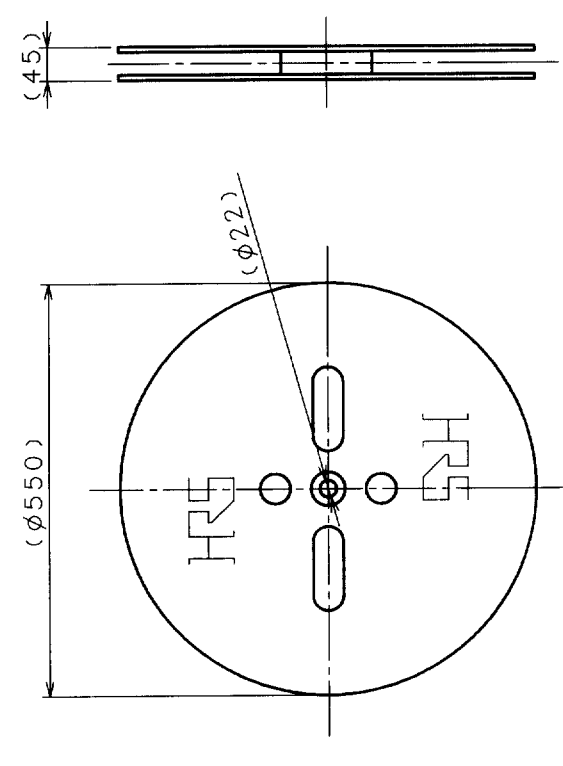


COUNT	DESCRIPTION OF REVISIONS	BY	CHKD	DATE	COUNT	DESCRIPTION OF REVISIONS	BY	CHKD	DATE
△					△				
△					△				
△					△				

② <REEL> (1:10)



HRS DRAWING FOR REFERENCE

1		2		REEL	
NO.	PHOSPHOR BRONZE MATERIAL	SILVER PLATING (n=8000) FINISH. REMARKS	NO.	FIBERBOARD MATERIAL	FINISH. REMARKS
	CODE NO. (COLD)		DRAWN	DESIGNED	CHECKED
			H. YOKOMIZO	H. KAWA	M. Sato
			98.5.19	98.5.19	98.5.23
					98.5.26

DRAWING NO.	JRC-PC2-212
EDC3-009204	
SCALE	5 : 1
UNITS	mm

NOTES
 1 APPLICABLE CONTACT EXTRACTION TOOL : RM-TP (CL150-0008-7)
 2 APPLICABLE WIRE : AWG#24~#20

TO	
R	