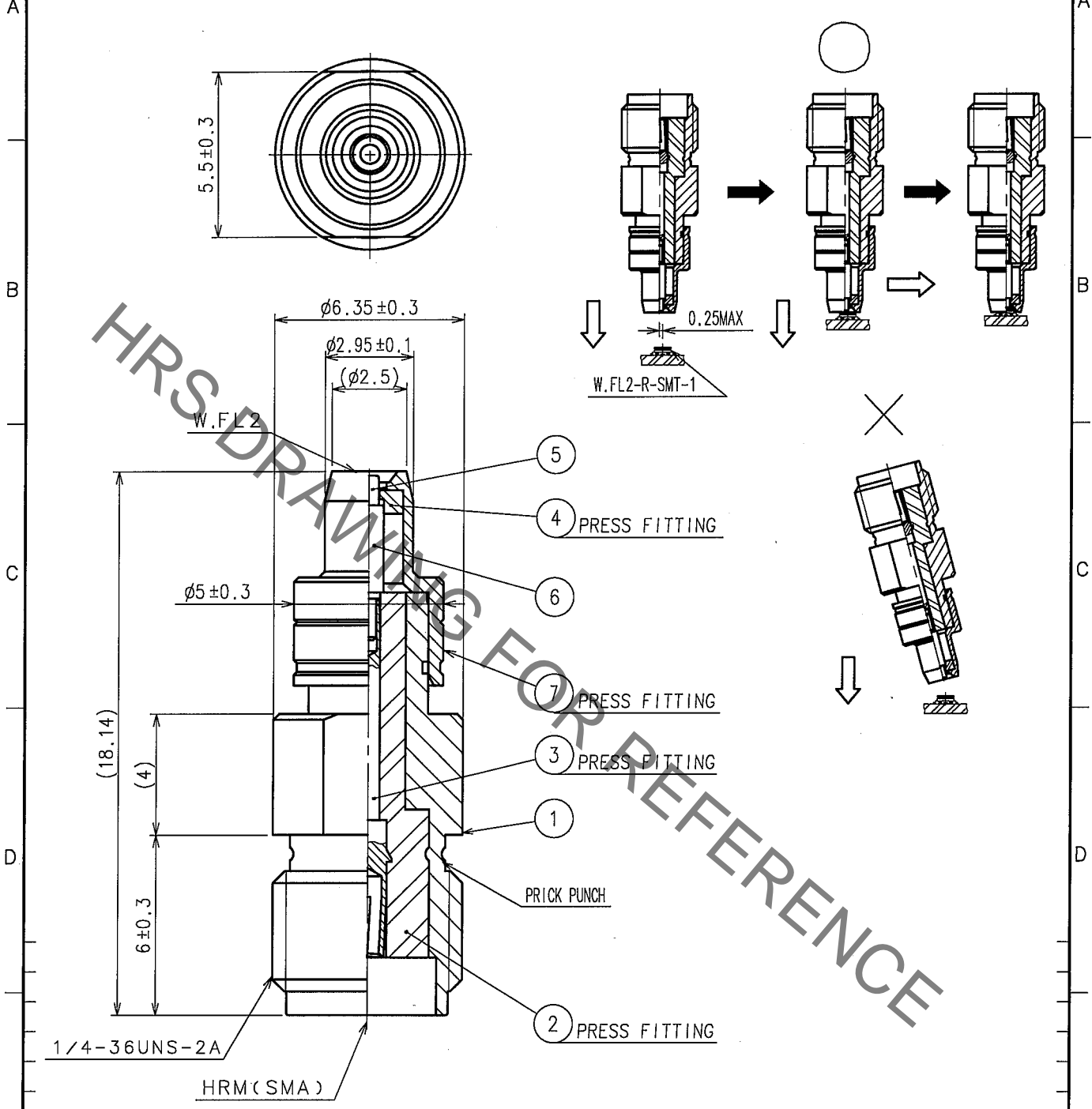


Jul.1.2019 Copyright 2019 HIROSE ELECTRIC CO., LTD. All Rights Reserved.
 In case of consideration for using Automotive equipment / device which demand high reliability, kindly contact our sales window correspondents.

1				2				3				4			
COUNT	DESCRIPTION OF REVISIONS			BY	CHKD	DATE	COUNT	DESCRIPTION OF REVISIONS			BY	CHKD	DATE		
△							△								
△							△								
△							△								



4	PTFE		7	STAINLESS STEEL	GOLD PLATING
3	BERYLLIUM COPPER	GOLD PLATING	6	BRASS	GOLD PLATING
2	PTFE		5	BERYLLIUM COPPER	GOLD PLATING(FREE CONTACT)
1	BRASS	NICKEL PLATING			
NO.	MATERIAL	FINISH, REMARKS	NO.	MATERIAL	FINISH, REMARKS

CODE NO. (OLD) CL395-4825-0		DRAWN S. Sawai '06.06.21	DESIGNED Y. Yasumoto '06.06.21	CHECKED H. Ninomiya '06.06.22	APPROVED M. Yamane '06.06.22	RELEASED
RoHS COMPLIANT						
DRAWING NO. EDC4-312900		PART NO. HRMJ-W.FL2P-ST3				
SCALE 5 : 1		CODE NO. CL311-0417-0				1/1
UNITS mm		HRS HIROSE ELECTRIC CO., LTD.				

TO
RF