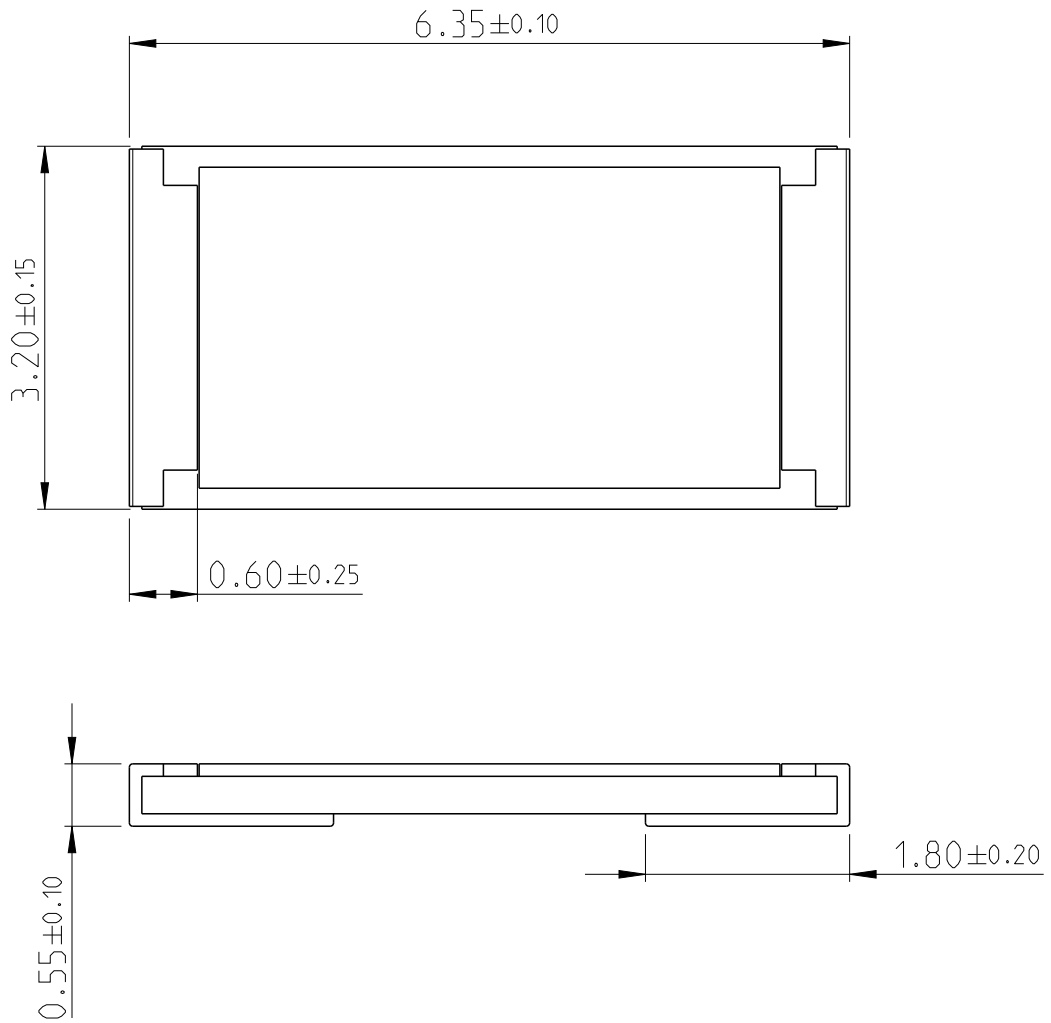
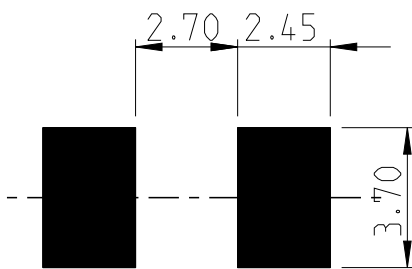


LOC	DIST	REVISIONS					
-	-	P	LTR	DESCRIPTION	DATE	DWN	APVD
		BB1	ECR-15-009470		24 JUN 2015	KR	TN

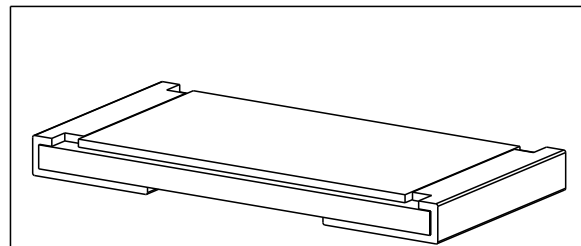


FOR FURTHER INFORMATION SEE PRODUCT SPECIFICATION FOR CRGH SERIES



PCB LAYOUT PLAN

RoHS Compliant



20


RELEASED FOR PUBLICATION

ALL RIGHTS RESERVED.

THIS DRAWING IS UNPUBLISHED.

BY -

© COPYRIGHT 20

DIMENSIONS: mm	DWN RAGHAVENDRA K	27 JUN 2012	MATERIAL	-	FINISH	-
	CHK ALLAN P	27 JUN 2012	 TE Connectivity			
TOLERANCES UNLESS OTHERWISE SPECIFIED:	APVD TONY N	27 JUN 2012				
	0 PLC ±	PRODUCT SPEC	SIZE	CAGE CODE	DRAWING NO	RESTRICTED TO
1 PLC ±0.5	-	A 4	00779	C-1879525	-	
2 PLC ±0.13	APPLICATION SPEC	Customer Drawing				
3 PLC ±0.013	-	SCALE	40:1	SHEET	1 OF 1	
4 PLC ±0.0001	WEIGHT	-	-	REV	BB1	
ANGLES ±						

