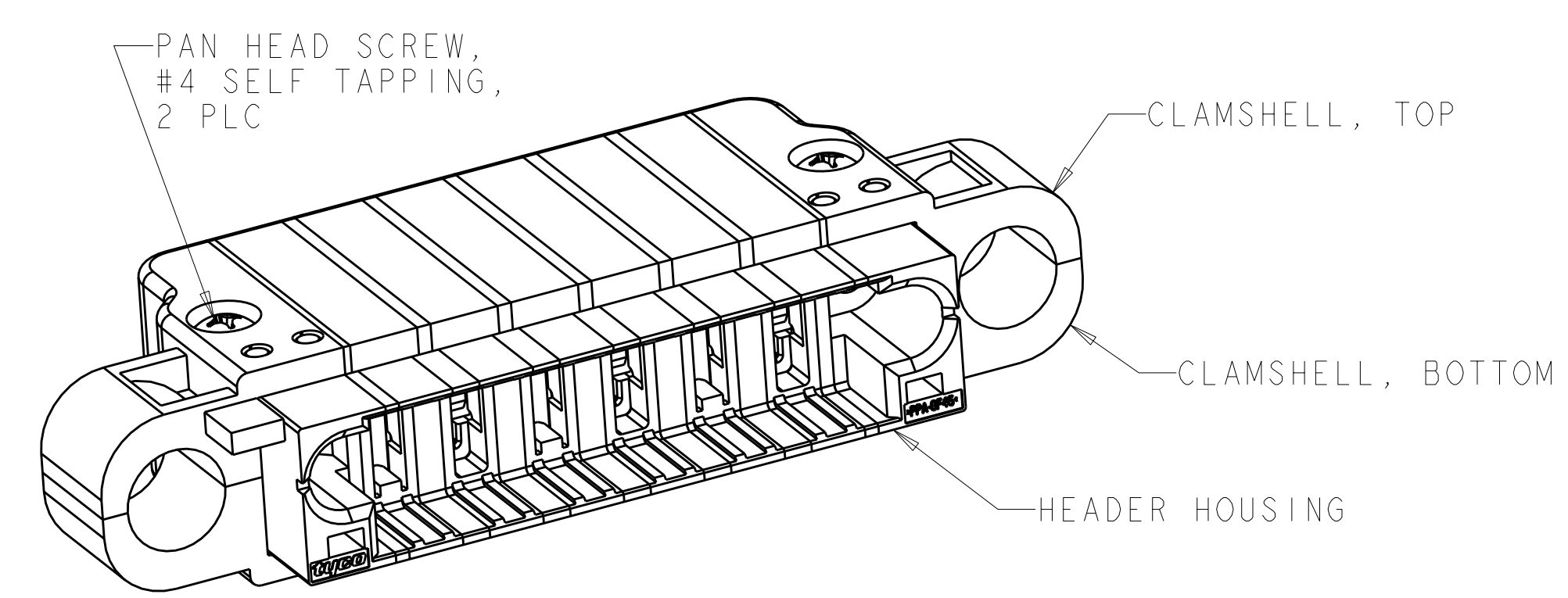
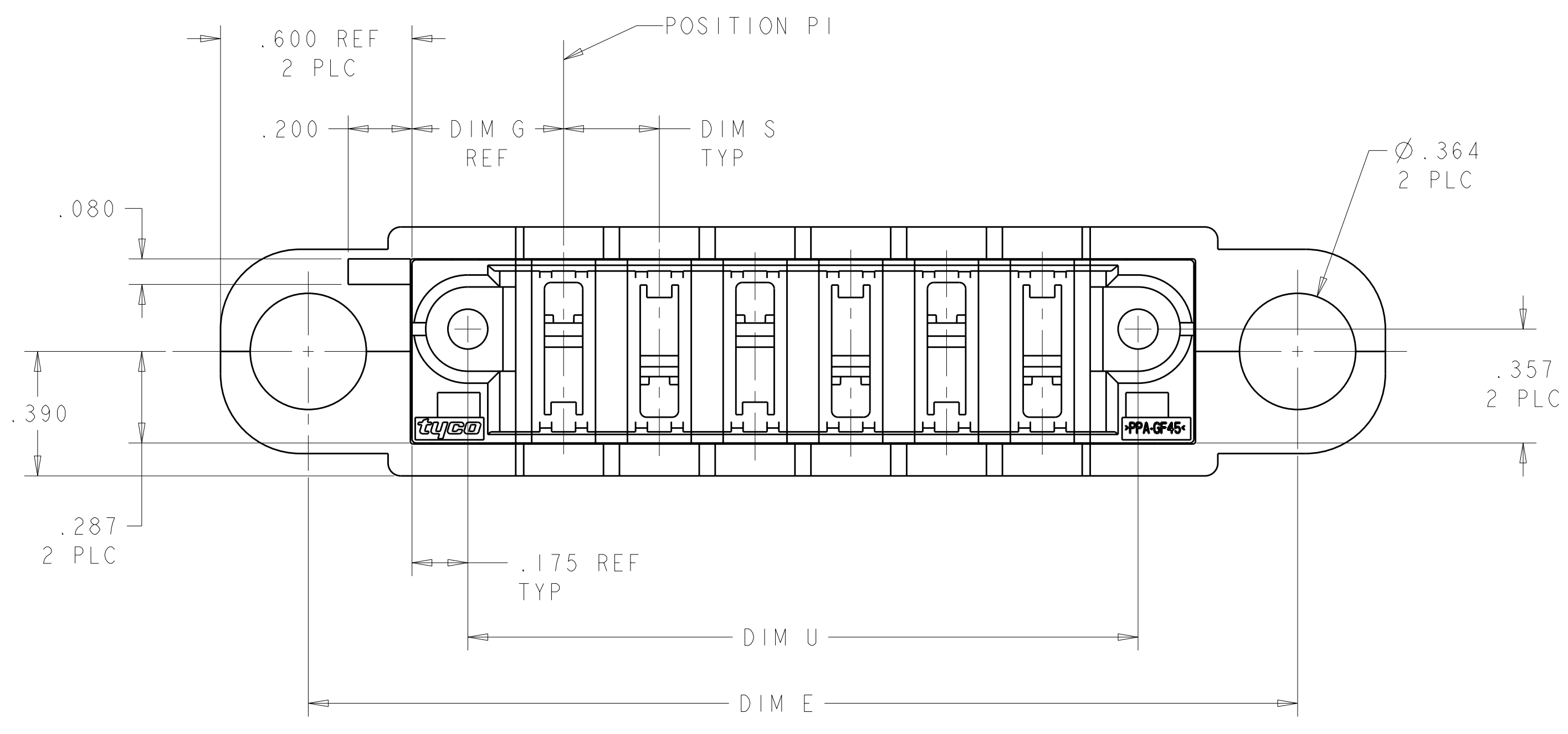
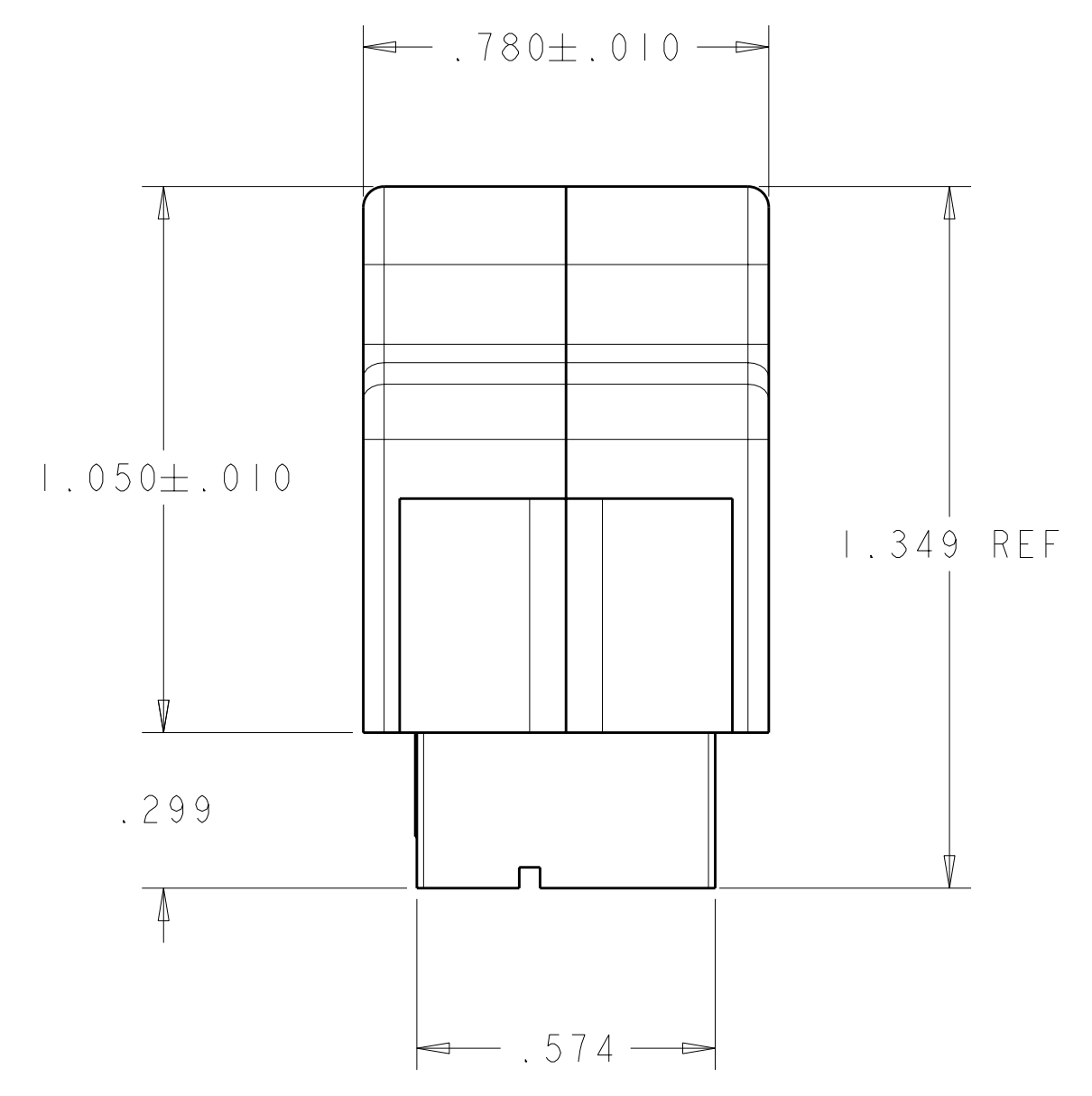
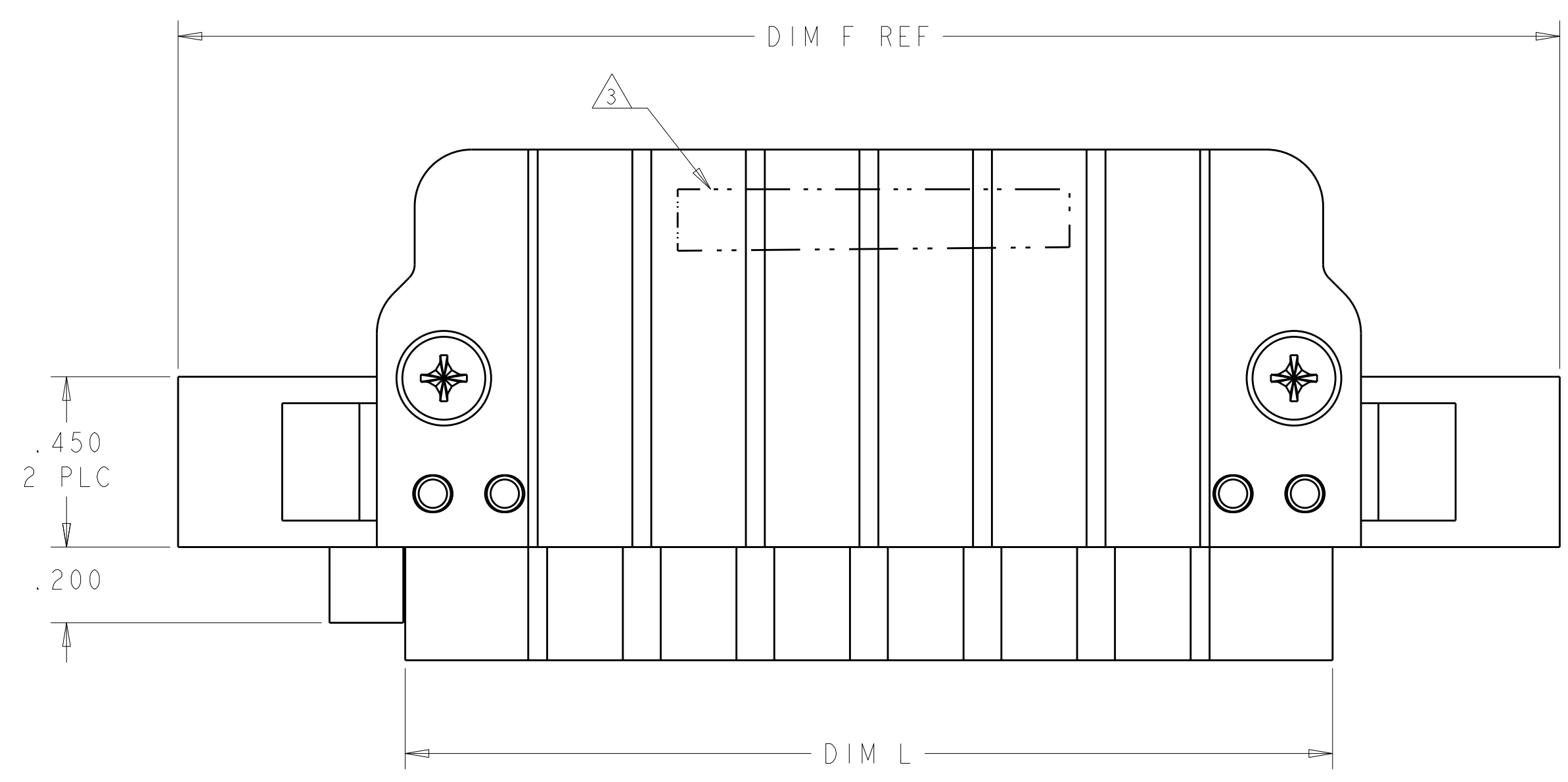


LOC	DIST	REV	DESCRIPTION	DATE	DWN	APVD
ES	00					
		A3	ADDED NEW DASH NUMBER	4JAN2007	DZ	SY
		B	ADDED NEW DASH NUMBER	9NOV2007	DZ	SY
		B1	ADDED NEW DASH NUMBER	21FEB2008	SZ	SY
		B2	REV PER ECR-08-014010	03JUNE2008	VO	SY



ISOMETRIC VIEW
SCALE 2:1

- 1 CLAMSHELLS AND HEADER HOUSING: THERMO PLASTIC, UL94 V-0; SCREWS: STEEL.
- 2 SCREWS: ZINC.
- 3 TYCO PART NUMBER AND DATE CODE MARKED IN AREA.
- 4 CONNECTOR KEEP OUT ZONE.
- 5 CONNECTOR MATED TO PANEL FROM OPPOSITE SIDE.
- 6 NO BURRS ALLOWED ON OPPOSITE (MATED) SIDE.
- 7 DATUM LOCATIONS AND BASIC DIMENSIONS TO BE ESTABLISHED BY CUSTOMER.
- 8 MOUNT CONNECTOR WITH TYCO HARDWARE KIT 1600914-1 FOR .050 (1.27mm) MIN RADIAL FLOAT.
- 9 NOT RELEASED FOR PRODUCTION.



1.900	.300	2.250	.525	3.450	2.900	5ACP (8 AWG)	1600206-4
1.200	.300	1.550	.475	2.750	2.200	3ACP (12 AWG)	1600206-3
2.500	.300	2.850	.525	4.050	3.500	7ACP (8 AWG)	1600206-2
2.100	.300	2.450	.475	3.650	3.100	6ACP (14 AWG)	1600206-1
DIM U	DIM S	DIM L	DIM G	DIM F	DIM E	DESCRIPTION	PART NO

DIMENSIONS: INCH 		TOLERANCES UNLESS OTHERWISE SPECIFIED: 9 PLC ± 8 PLC ±.02 5 PLC ±0.005 4 PLC ± ANGLES ±		DWN: J. McCLINTON 09MAR2006 CHK: D. TROUT 09MAR2006 APVD: P. WHYNE 09MAR2006		Tyco Electronics Corporation Harrisburg, PA 17105-3608	
MATERIAL:		FINISH:		PRODUCT SPEC: 108-2157-1 APPLICATION SPEC: 114-13164		NAME: PANEL MOUNT CABLE PLUG, WITH GUIDES, POWER, MULTI-BEAM XL SIZE: A 00779 C=1600206 WEIGHT: - CUSTOMER DRAWING	
SCALE: 3:1				SHEET: 1 OF 2		REV: B2	

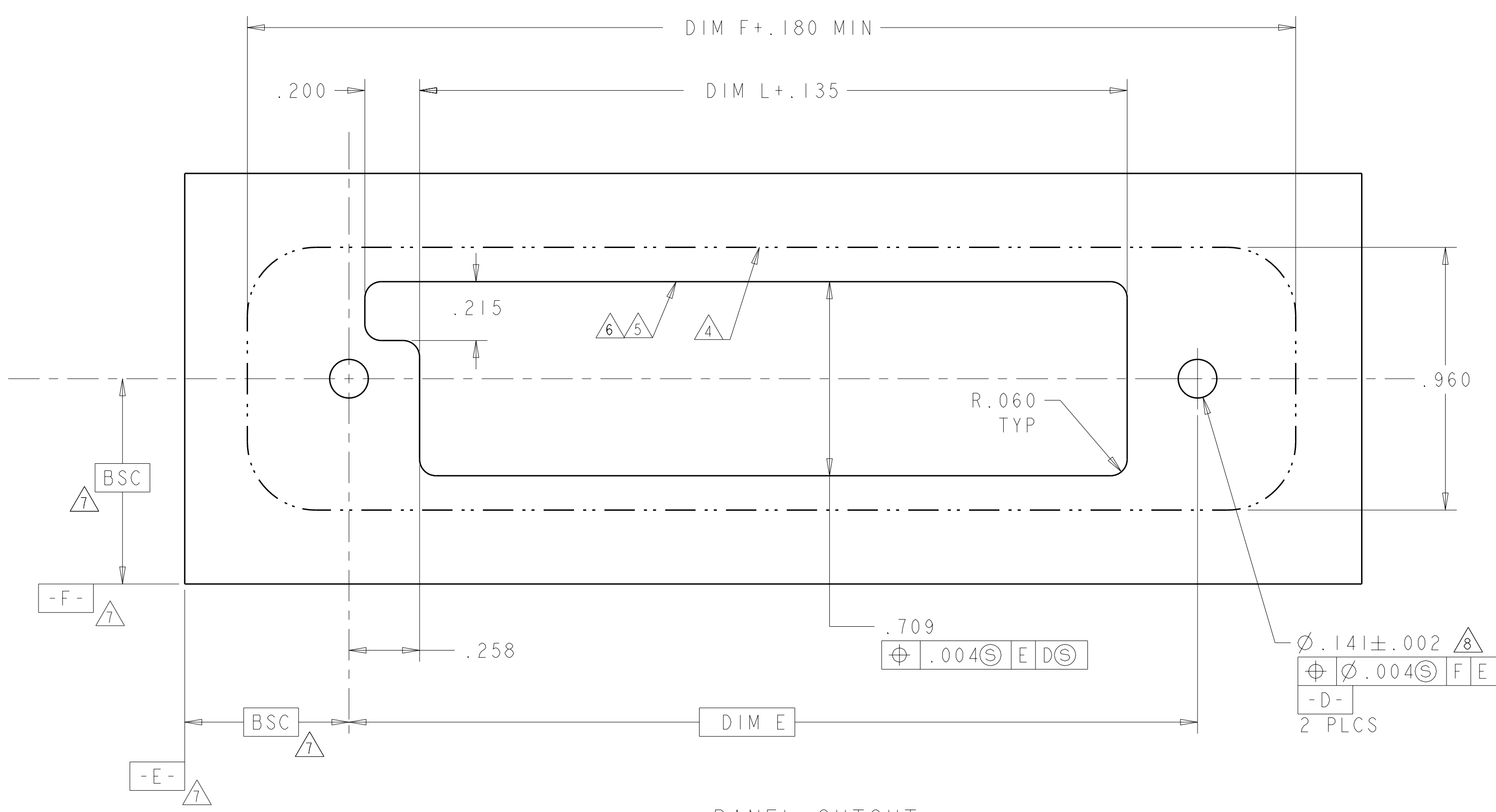
LOC	DIST	REV	DATE	BY	APPD
ES	00				

PART NUMBER	ROWS	POWER					
		P1	P2	P3	P4	P5	P6
1600206-1	D		CP	CP	CP	CP	CP
	C						
	B						
	A						
6ACP (14AWG)							

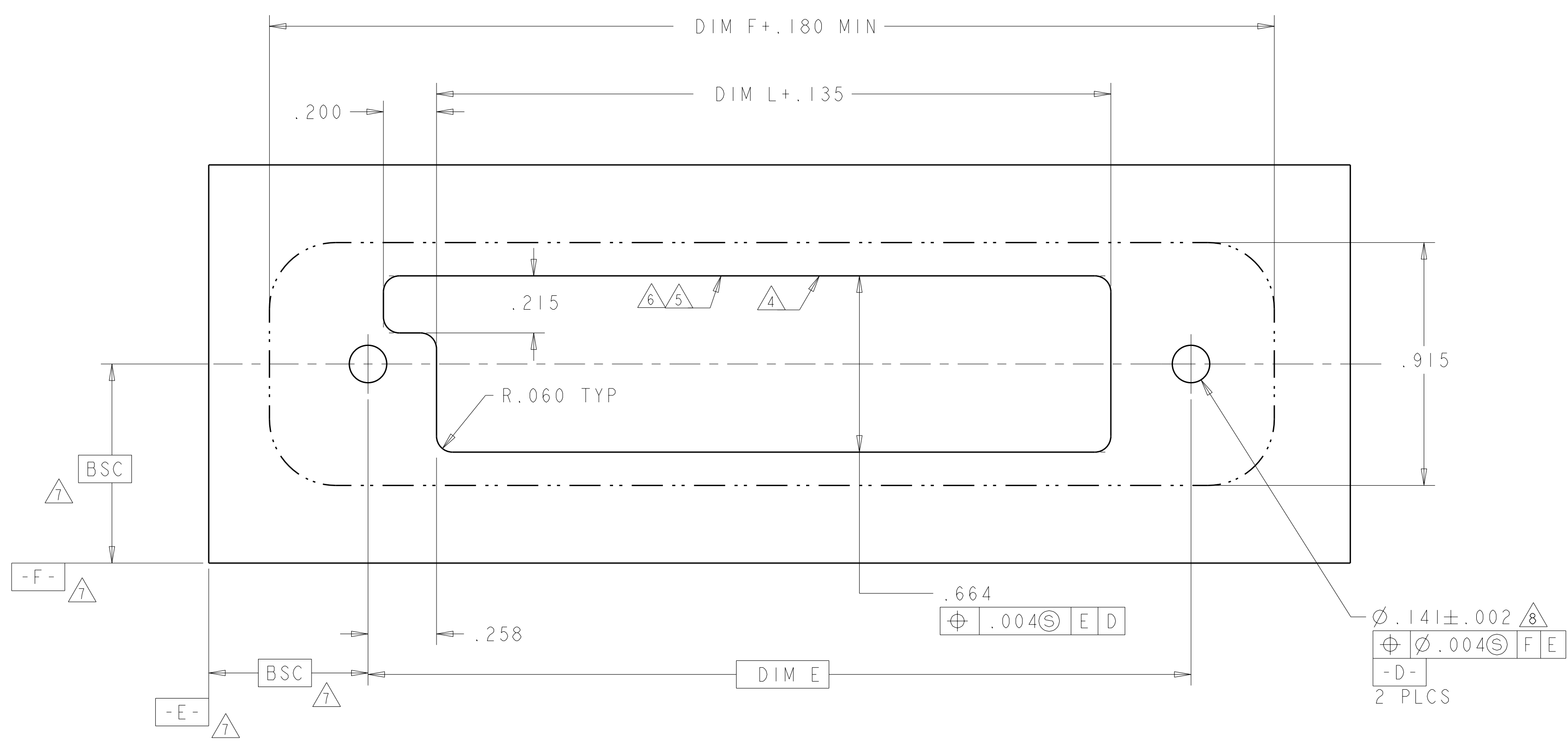
PART NUMBER	ROWS	POWER						
		P1	P2	P3	P4	P5	P6	P7
1600206-2	D		CP	CP	CP	CP	CP	CP
	C							
	B							
	A							
7ACP (8 AWG)								

PART NUMBER	ROWS	POWER		
		P1	P2	P3
1600206-3	D		CP	CP
	C			
	B			
	A			
3ACP (12 AWG)				

PART NUMBER	ROWS	POWER				
		P1	P2	P3	P4	P5
1600206-4	D		CP	CP	CP	CP
	C					
	B					
	A					
5ACP (8 AWG)						



PANEL CUTOUT:
WHEN MATING TO BOARD MOUNT RECEPTACLE



PANEL CUTOUT:
WHEN MATING TO SLIDE-TO-LOCK CABLE RECEPTACLE

POWER CONTACT	CP
DESCRIPTION	IDENTIFIER

<small>THE DIMENSIONS OF THIS DRAWING ARE BASED ON THE TYCO ELECTRONICS CORPORATION STANDARD DRAWING PRACTICES AND CONFORM TO THE TYCO ELECTRONICS CORPORATION DIMENSIONAL STANDARDS. FOR THE LATEST REVISION, CONTACT THE TYCO ELECTRONICS CORPORATION.</small>		DWN: J. McCLINTON 09MAR2006 CHK: D. TROUT 09MAR2006 APVD: R. WHYNE 09MAR2006	Tyco Electronics Corporation Harrisburg, PA 17105-3608
DIMENSIONS: INCH 	TOLERANCES UNLESS OTHERWISE SPECIFIED: 0 PLC ± 1 PLC ±.02 2 PLC ±.005 3 PLC ±.005 4 PLC ± ANGLES ±	NAME: PANEL MOUNT CABLE PLUG, WITH GUIDES, POWER, MULTI-BEAM XL PRODUCT SPEC: 108-2157-1 APPLICATION SPEC: SIZE: 114-13164 WEIGHT: CUSTOMER DRAWING	RESTRICTED TO: SCALE: 3:1 SHEET 2 OF 2 REV: B2