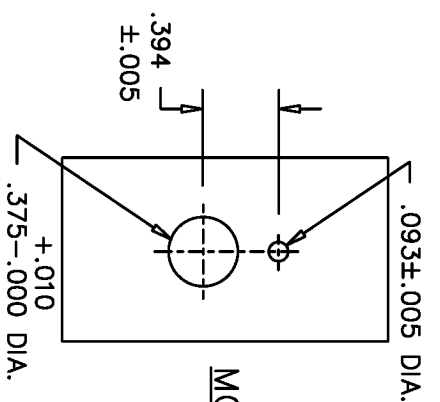


THIS DOCUMENT CONTAINS PROPRIETARY DATA OF POLARIS INDUSTRIAL ENTERPRISES, INC. NO DISCLOSURE, REPRODUCTION, OR USE OF ANY PART THERE OF MAY BE MADE EXCEPT BY WRITTEN PERMISSION.

|      |     |         |         |                   |
|------|-----|---------|---------|-------------------|
| REV. | BY  | DATE    | APPRVL. | P/N               |
| B    | DMS | 5/12/98 |         | MB25              |
|      |     |         |         | ADDED MODEL CHART |

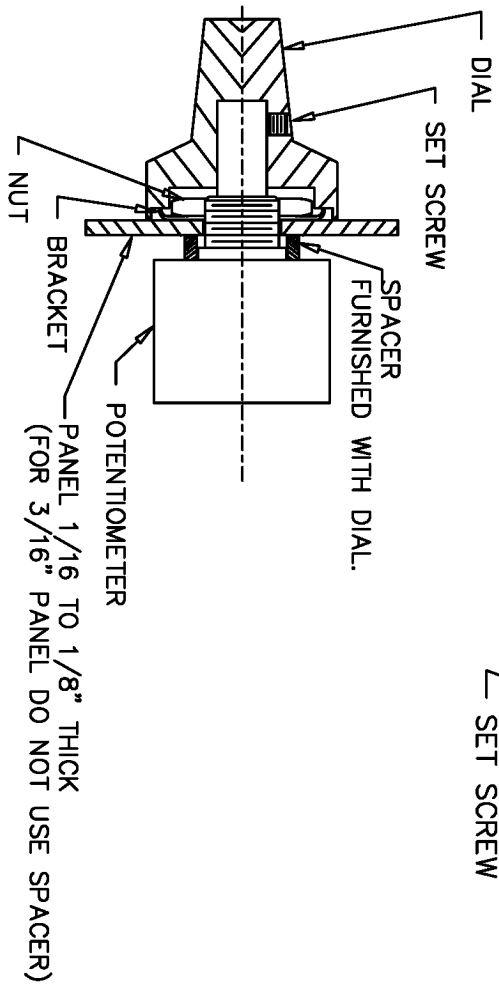
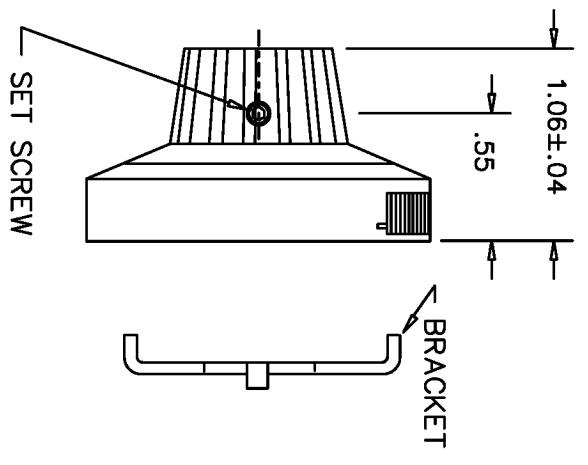
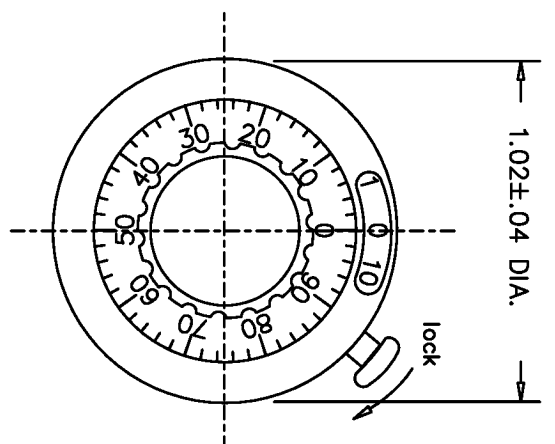


**MOUNTING METHOD**

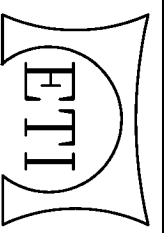
**SPECIFICATIONS**

NUMBER OF TURNS — UP TO 10  
 NUMBER OF GRADUATIONS — 50 PER TURN  
 SHAFT MTG. DIA. — SEE CHART  
 LOCK DEVICE — OVER THE CENTER ACTION  
 OPERATING TEMPERATURE — -30°C TO +60°C

| MODEL      | MATCHING SHAFT SIZE | COLOR                 | LOCK |
|------------|---------------------|-----------------------|------|
| MB25N-1/8  | 1/8                 | SATIN (WHITE NUMBERS) | NO   |
| MB25N-1/4  | 1/4                 | SATIN (WHITE NUMBERS) | NO   |
| MB25N-6MM  | 6MM                 | SATIN (WHITE NUMBERS) | NO   |
| MBA25N-1/8 | 1/8                 | BLACK (WHITE NUMBERS) | NO   |
| MBA25N-1/4 | 1/4                 | BLACK (WHITE NUMBERS) | NO   |
| MBA25N-6MM | 6MM                 | BLACK (WHITE NUMBERS) | NO   |
| MB25L-1/8  | 1/8                 | SATIN (WHITE NUMBERS) | YES  |
| MB25L-1/4  | 1/4                 | SATIN (WHITE NUMBERS) | YES  |
| MB25L-6MM  | 6MM                 | SATIN (WHITE NUMBERS) | YES  |
| MBA25L-1/8 | 1/8                 | BLACK (WHITE NUMBERS) | YES  |
| MBA25L-1/4 | 1/4                 | BLACK (WHITE NUMBERS) | YES  |
| MBA25L-6MM | 6MM                 | BLACK (WHITE NUMBERS) | YES  |



THIS DOCUMENT CONTAINS PROPRIETARY DATA OF POLARIS INDUSTRIAL ENTERPRISES, INC. NO DISCLOSURE, REPRODUCTION, OR USE OF ANY PART THERE OF MAY BE MADE EXCEPT BY WRITTEN PERMISSION.



**ETI SYSTEMS**  
 CARISBAD CALIFORNIA

**TITLE**  
 CONCENTRIC

**TURNS COUNTING DIAL**

PART NO.

**MB25**

|  |        |
|--|--------|
| <b>TOLERANCES</b>                                    |        |
| XX = +/- .010" FRACT. = +/- 1/64"                    |        |
| XXX = +/- .005" ANGLES = +/- 1/2°                    |        |
| ALL SPECIFICATIONS SUBJECT TO CHANGE WITHOUT NOTICE. |        |
| SCALE  | NONE   |
| DATE:  | 8-6-86 |
| BY   |        |
| APPRVD   | BT     |
| CODE IDENT:  | 19477  |