

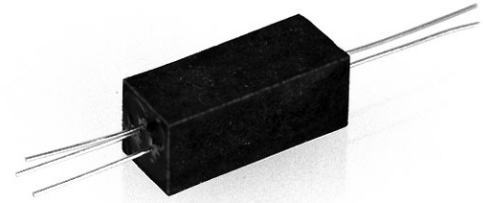
Optically Coupled Isolator

OPI120, OPI123



Features:

- 15 kV dc electrical isolation
- Choice of phototransistor or photodarlington output
- Hermetically sealed LED and photosensor
- Base contact for conventional transistor biasing (OP120 only)
- UL recognized File No. E58730
- Wide operating temperature range



Description:

Each Optoisolator in this data sheet contains an infrared Light Emitting Diode (LED) and a NPN silicon Photosensor. The **OPI120** has an 890 nm Light Emitting Diode (LED) and NPN phototransistor sensor, whereas the **OPI123** has a 890 nm LED and a photodarlington sensor. The devices are sealed in a precast opaque housing with a optically transmissive path between the LED and the photosensor.

The Optoisolators in this data sheet are UL recognized under UL file E58730.

This series is designed for transmission of information between one power supply voltage to another where the potentials during surge conditions are not greater than the guaranteed isolation voltage.

Custom electrical, wire and cabling and connectors are available. Contact your local representative or OPTEK for more information.

TX and TXV processing is available. For more information, contact your local representative or OPTEK.

Applications:

- High voltage isolation between input and output
- Electrical isolation in dirty environments
- Industrial equipment
- Medical equipment
- Office equipment

| Ordering Information | | | | | | | |
|----------------------|---------------------|------------|--------------------------|---------|-------------------------------|-----------------------------|-----------------------|
| Part Number | LED Peak Wavelength | Sensor | Isolation Voltage (,000) | CTR Min | I _F (mA) Typ / Max | V _{CE} (Volts) Max | Lead Length / Spacing |
| OPI120 | 890 nm | Transistor | 15 | 20 | 10 / 50 | 25 | 0.40" / 0.75" |
| OPI123 | or 935 nm | Darlington | | 50 | | 20 | |



RoHS

General Note

TT Electronics reserves the right to make changes in product specification without notice or liability. All information is subject to TT Electronics' own data and is considered accurate at time of going to print.

TT Electronics | OPTEK Technology, Inc.
1645 Wallace Drive, Carrollton, TX 75006 | Ph: +1 972 323 2200
sensors@ttelectronics.com | www.ttelectronics.com

Optically Coupled Isolator

OPI120, OPI123

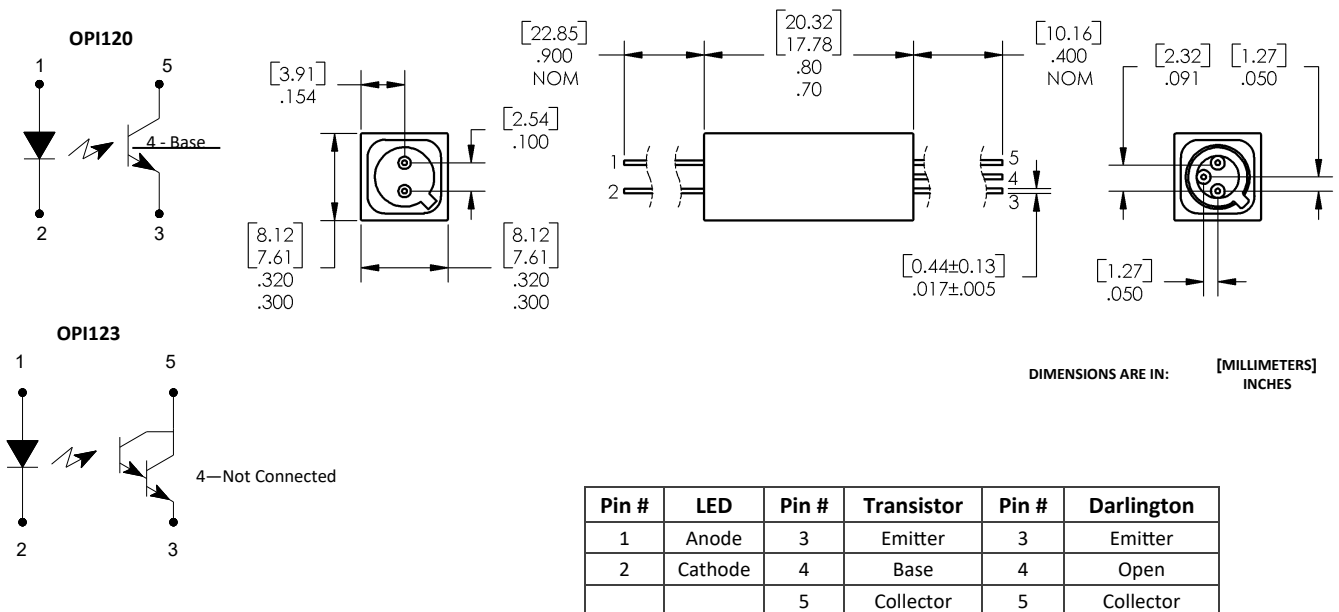


Absolute Maximum Ratings (T_A = 25° C unless otherwise noted)

| | |
|--|-------------------|
| Storage Temperature | -55° C to +125° C |
| Operating Temperature | -55° C to +100° C |
| Input-to-Output Isolation Voltage ⁽¹⁾ | ± 15 kVDC |
| Lead Soldering Temperature (1/16" (1.6 mm) from case for 5 seconds with soldering iron) ⁽²⁾ | 260° C |
| Input Diode | |
| Forward DC Current ⁽³⁾ | 150 mA |
| Reverse DC Voltage | 3 V |
| Power Dissipation ⁽⁴⁾ | 200 mW |
| Output Photosensor | |
| Collector-Emitter Voltage | 25 V |
| OPI120 | 25 V |
| OPI123 | 20 V |
| Emitter-Collector Voltage | 5 V |
| Collector-Base Voltage | 25 V |
| OPI120 | 25 V |
| Power Dissipation ⁽⁵⁾ | 250 mW |

Notes:

- (1) Measured with input and output leads shorted in air with a maximum relative humidity of 50%. UL recognition is for 15kV dc for one minute.
- (2) RMA flux is recommended. The duration can be extended to 10 seconds maximum when flow soldering.
- (3) Derate linearly 2.0 mA/°C above 25°C.
- (4) Derate linearly 2.67 mW/°C above 25°C.
- (5) Derate linearly 3.33 mW/°C above 25°C.



General Note

TT Electronics reserves the right to make changes in product specification without notice or liability. All information is subject to TT Electronics' own data and is considered accurate at time of going to print.

TT Electronics | OPTEK Technology, Inc.
1645 Wallace Drive, Carrollton, TX 75006 | Ph: +1 972 323 2200
sensors@ttelectronics.com | www.ttelectronics.com

Optically Coupled Isolator

OPI120, OPI123

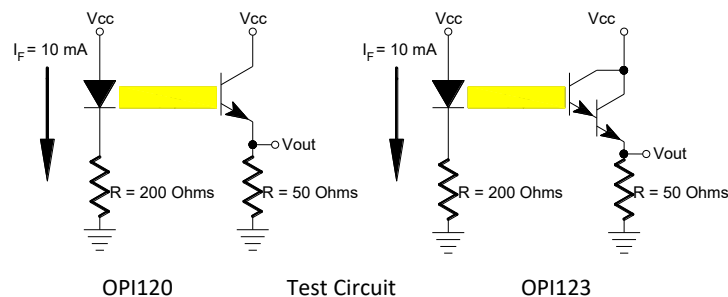


Electrical Characteristics (-40° C to +85° C unless otherwise noted)

| SYMBOL | PARAMETER | MIN | TYP | MAX | UNITS | TEST CONDITIONS |
|---|---|------------|---------|------------|---------------|--|
| Input Diode | | | | | | |
| V_F | Forward Voltage OPI120 OPI123 | - - | - - | 1.5 1.5 | V | $I_F = 30 \text{ mA}$ $I_F = 10 \text{ mA}$ |
| I_R | Reverse Current | - | - | 100 | μA | $V_R = 3 \text{ V}$ |
| Output Photosensor (See OP236 for additional information - for reference only) | | | | | | |
| $V_{(BR)CEO}$ | Collector-Emitter Breakdown Voltage OPI120 OPI123 | 25 20 | - - | - - | V | $I_C = 1 \text{ mA}$ $I_C = 1 \text{ mA}$ |
| $V_{(BR)ECO}$ | Emitter-Collector Breakdown Voltage | 5 | - | - | V | $I_E = 100 \mu\text{A}$ |
| $V_{(BR)CBO}$ | Collector-Base Breakdown Voltage OPI120 | 25 | - | - | V | $I_C = 1 \text{ mA}$ |
| I_{CEO} | Collector-Emitter Dark Current | - | - | 100 | nA | $V_{CE} = 10 \text{ V}$ |
| Coupled (See OP804 and OP805 for additional information - for reference only) | | | | | | |
| I_C/I_F | DC Current Transfer Ratio OPI120 OPI123 | 20 50 | 70 - | - - | % | $I_F = 10 \text{ mA}, V_{CE} = 5 \text{ V}$ $I_F = 10 \text{ mA}, V_{CE} = 2 \text{ V}$ |
| $V_{CE(SAT)}$ | Collector Saturation Voltage OPI120 OPI123 | - - | - - | 0.5 1.2 | V | $I_F = 30 \text{ mA}, I_C = 1 \text{ mA}$ $I_F = 5 \text{ mA}, I_C = 1 \text{ mA}$ |
| $I_{C(ON)}$ | On Collector Current OPI120 OPI123 | 2.0 5.0 | - - | 50 - | mA | $I_F = 10 \text{ mA}, V_{CE} = 5 \text{ V}$ $I_F = 10 \text{ mA}, V_{CE} = 2 \text{ V}$ |
| $I_{CB(ON)}$ | On Collector Base Current—OPI120 | 15 | - | - | μA | $I_F = 30 \text{ mA}, V_{CB} = 5 \text{ V}$ |
| V_{ISO} | Isolation Voltage ⁽¹⁾ | 15 | - | - | kV | See note 1 |
| t_r, t_f | Output Rise Time, Output Fall Time OPI120 OPI123 | - - | 2 40 | - - | μs | See Test Circuit |

Notes:

(1) Measured with input and output leads shorted in air with a maximum relative humidity of 50%.



General Note

TT Electronics reserves the right to make changes in product specification without notice or liability. All information is subject to TT Electronics' own data and is considered accurate at time of going to print.

TT Electronics | OPTEK Technology, Inc.
1645 Wallace Drive, Carrollton, TX 75006 | Ph: +1 972 323 2200
sensors@ttelelectronics.com | www.ttelelectronics.com