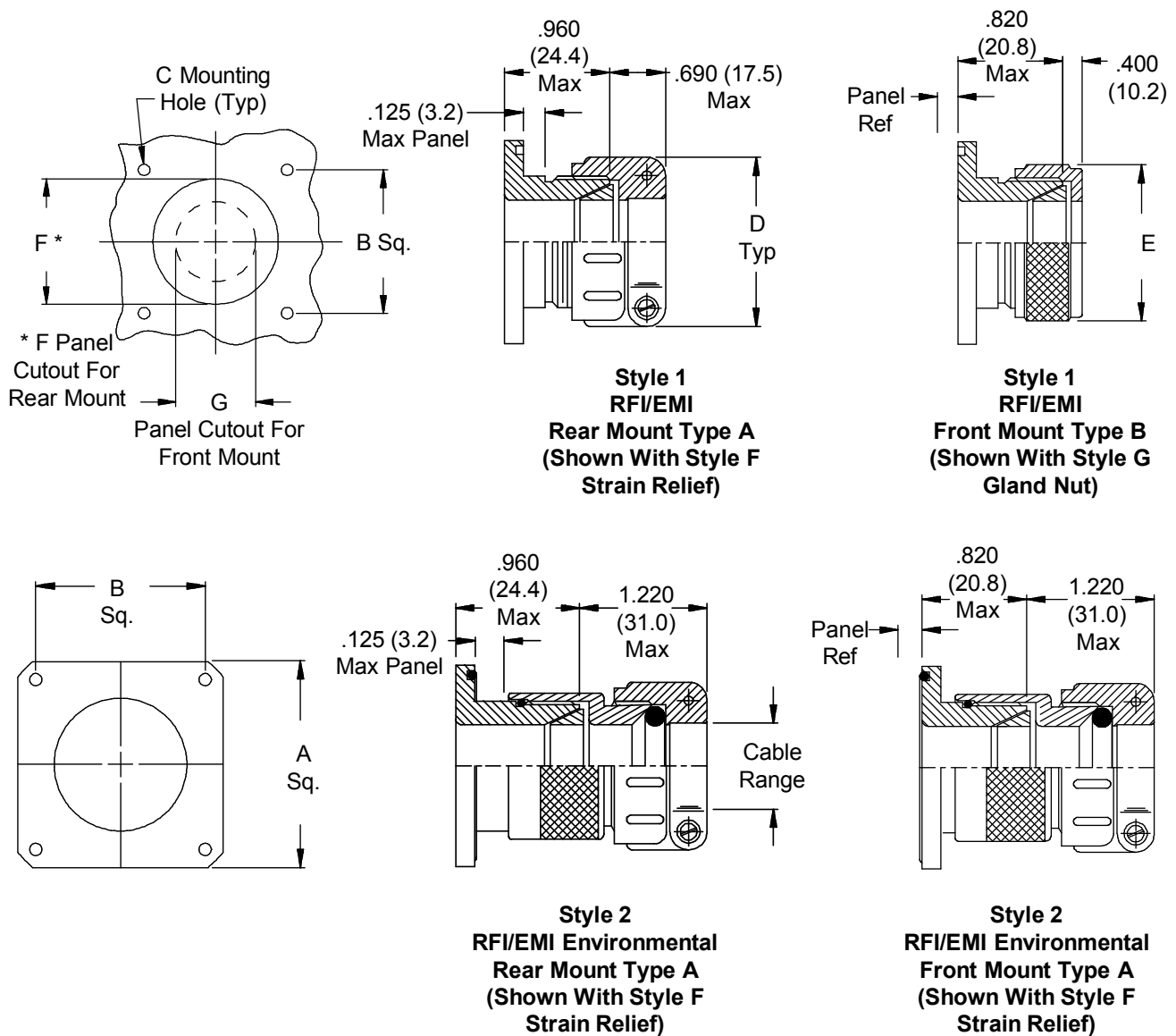
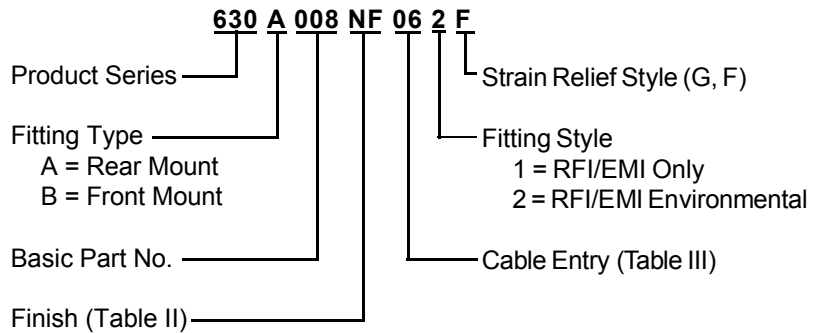


Single Overall
EMI/RFI
Shield Termination



See inside back cover fold-out or page 14 for Table II.

TABLE III: CABLE ENTRY										
Dash No.	Cable Range				A Max	B Dim	C			
	Min	Max	Min	Max			+0.015 (-0)	+0.4 (-0.0)		
01	.125	(3.2)	.250	(6.4)	.885	(22.5)	.593	(15.1)	.120	(3.0)
02	.156	(4.0)	.375	(9.5)	1.104	(28.0)	.812	(20.6)	.120	(3.0)
03	.250	(6.4)	.438	(11.1)	1.197	(30.4)	.906	(23.0)	.120	(3.0)
04	.280	(7.1)	.500	(12.7)	1.291	(32.8)	.968	(24.6)	.120	(3.0)
05	.375	(9.5)	.625	(15.9)	1.385	(35.2)	1.062	(27.0)	.120	(3.0)
06	.500	(12.7)	.750	(19.1)	1.635	(41.5)	1.250	(31.8)	.120	(3.0)
07	.625	(15.9)	.875	(22.2)	1.760	(44.7)	1.375	(34.9)	.147	(3.7)
08	.750	(19.1)	1.000	(25.4)	2.010	(51.1)	1.562	(39.7)	.147	(3.7)
09	.875	(22.2)	1.125	(28.6)	2.260	(57.4)	1.750	(44.5)	.173	(4.4)
10	1.000	(25.4)	1.250	(31.8)	2.510	(63.8)	1.938	(49.2)	.173	(4.4)

TABLE III (Continued)								
Dash No.	D Max	E Max	F		G			
			+0.015 (-0)	+0.4 (-0.0)	+0.031 (-0)	+0.8 (-0.0)		
01	.843	(21.4)	.625	(15.9)	.515	(13.1)	.250	(6.4)
02	.968	(24.6)	.750	(19.1)	.640	(16.3)	.375	(9.5)
03	1.046	(26.6)	.875	(22.2)	.765	(19.4)	.438	(11.1)
04	1.156	(29.4)	1.000	(25.4)	.890	(22.6)	.500	(12.7)
05	1.218	(30.9)	1.125	(28.6)	1.015	(25.8)	.625	(15.9)
06	1.343	(34.1)	1.250	(31.8)	1.140	(29.0)	.750	(19.1)
07	1.468	(37.3)	1.375	(34.9)	1.265	(32.1)	.875	(22.2)
08	1.593	(40.5)	1.500	(38.1)	1.390	(35.3)	1.000	(25.4)
09	1.718	(43.6)	1.625	(41.3)	1.515	(38.5)	1.125	(28.6)
10	1.843	(46.8)	1.750	(44.5)	1.640	(41.7)	1.250	(31.8)

1. Metric dimensions (mm) are indicated in parentheses.
2. Cable range is defined as the accommodations range for the wire bundle or cable. Dimensions shown are not intended for inspection criteria.