

PART NAME: KNOB SCALE: 1:1 DATE: 4/30/04 DR. BY JAM

THIS DRAWING IS THE PROPERTY OF DAVIES MOLDING COMPANY, IS SUBMITTED SOLELY AS A DESIGN OR ENGINEERING PROJECT. WE ACCEPT NO RESPONSIBILITY WHATSOEVER FOR THE PRACTICAL APPLICATION OF THE PIECES MADE TO THIS DESIGN.



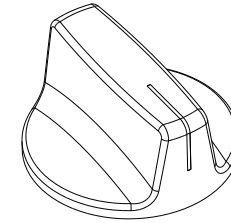
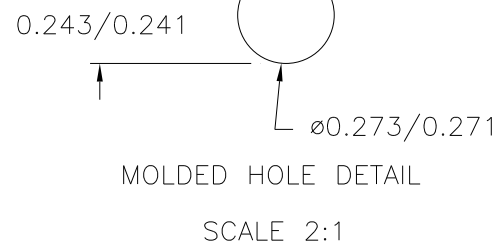
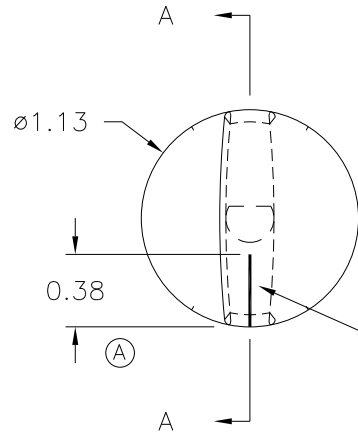
DESIGNERS & MANUFACTURERS OF KNOBS, HANDLES, CASES & CUSTOM PLASTIC COMPONENTS

P/N 1500BU

BASE PART 1500-14

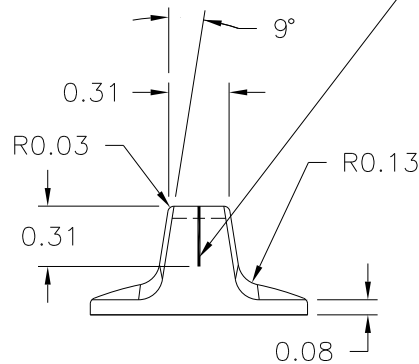
SPRING I1216

(E)

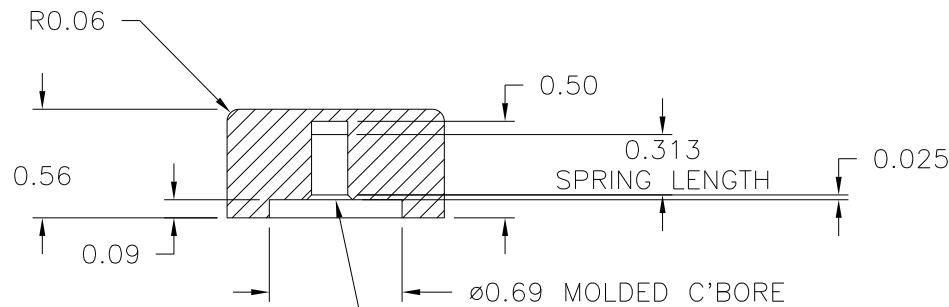


NO SCALE/ FOR REFERENCE

PAD PRINTED WHITE INDICATOR LINE (0.020 WIDE)
0.38 LONG ON TOP
0.31 LONG ON SIDE.



SECTION A-A



"D" SHAPED MOLDED HOLE
I1216 SPRING FOR A 1/4" SHAFT
FLATTED TO 0.218

(C) (D)

MATERIAL: G.P. PHENOLIC (B11)
COLOR: BLACK

(B)

E	ADDED BASE PART	JAM	2/11/14
D	WAS #4311	JAM	12/6/04
C	WAS 2300 PHENOLIC	JAM	9/29/04
B	ADDED PLENCO 2300	RF	7/15/04
A	MOVED LINE 180°	RF	5/27/04
-	WAS SK1500-03	JAM	4/30/04

TOLERANCES: UNLESS OTHERWISE SPECIFIED	DO NOT SCALE DRAWING
DECIMALS: X.XXX ± .005 X.XX ± .015	MM: X.XX ± 0.15MM X.X ± 0.4MM
FRACTIONS ± 1/64	ANG. ± 1°

CHANGES