

January 16, 1998

TEL:805-498-2111 FAX:805-498-3804 WEB:http://www.semtech.com

FAST RECOVERY, PCB MOUNTING, 1-PHASE FULL WAVE BRIDGE RECTIFIER ASSEMBLIES

- Low forward voltage drop
- Low reverse leakage current
- Subminiature design
- Three lead configurations
- Fast reverse recovery time

QUICK REFERENCE DATA

- $V_R = 50V - 400V$
- $I_F = 3.0A$
- $I_R = 2.0 \mu A$
- $t_{rr} = 150nS$

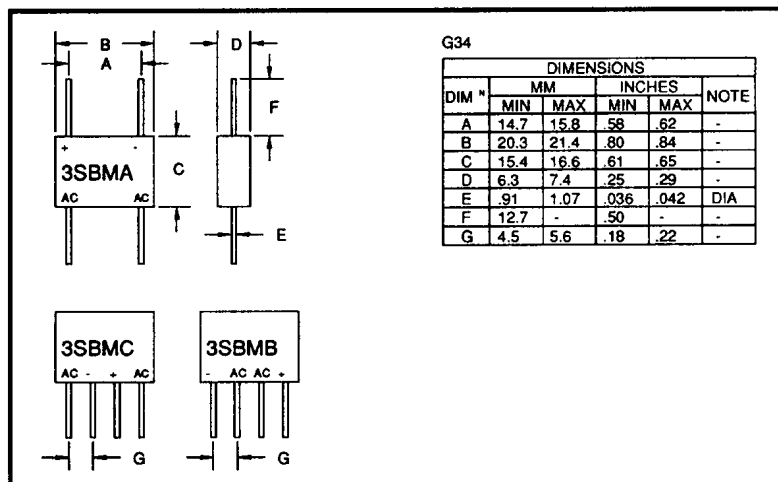
ABSOLUTE MAXIMUM RATINGS & CHARACTERISTICS

| Device Type | Working Reverse Voltage V_{RWM} | Average Rectified Current $I_{F(AV)}$ | | 1 Cycle Surge Current I_{FSM} $t_p = 8.3mS$ | Repetitive Surge Current I_{FRM} | Reverse Leakage Current $I_R @ V_{RWM}$ | | Forward Voltage drop $V_F @ 3A/leg$ $@ 25^\circ C$ | Reverse Recovery Time t_{rr} |
|-------------|-----------------------------------|---------------------------------------|---------|--|------------------------------------|---|---------|---|--------------------------------|
| | | @ 55°C | @ 100°C | @ 25°C | @ 25°C | @ 25°C | @ 100°C | | @ 25°C |
| | | Volts | Amps | Amps | Amps | Amps | μA | μA | Volts |
| 3SBM*05F | 50 | 3.0 | 1.5 | 150 | 25 | 2.0 | 40 | 1.1 | 150 |
| 3SBM*1F | 100 | 3.0 | 1.5 | 150 | 25 | 2.0 | 40 | 1.1 | 150 |
| 3SBM*2F | 200 | 3.0 | 1.5 | 150 | 25 | 2.0 | 40 | 1.1 | 150 |
| 3SBM*4F | 400 | 3.0 | 1.5 | 150 | 25 | 2.0 | 40 | 1.1 | 150 |

* Add A, B, C for desired circuit configuration
(see Mechanical outline)

¹ Measured on discrete devices prior to assembly

MECHANICAL



January 16, 1998



Fig 1. Forward voltage drop against output current per leg



Fig 2. Maximum average forward current against ambient temperature.