

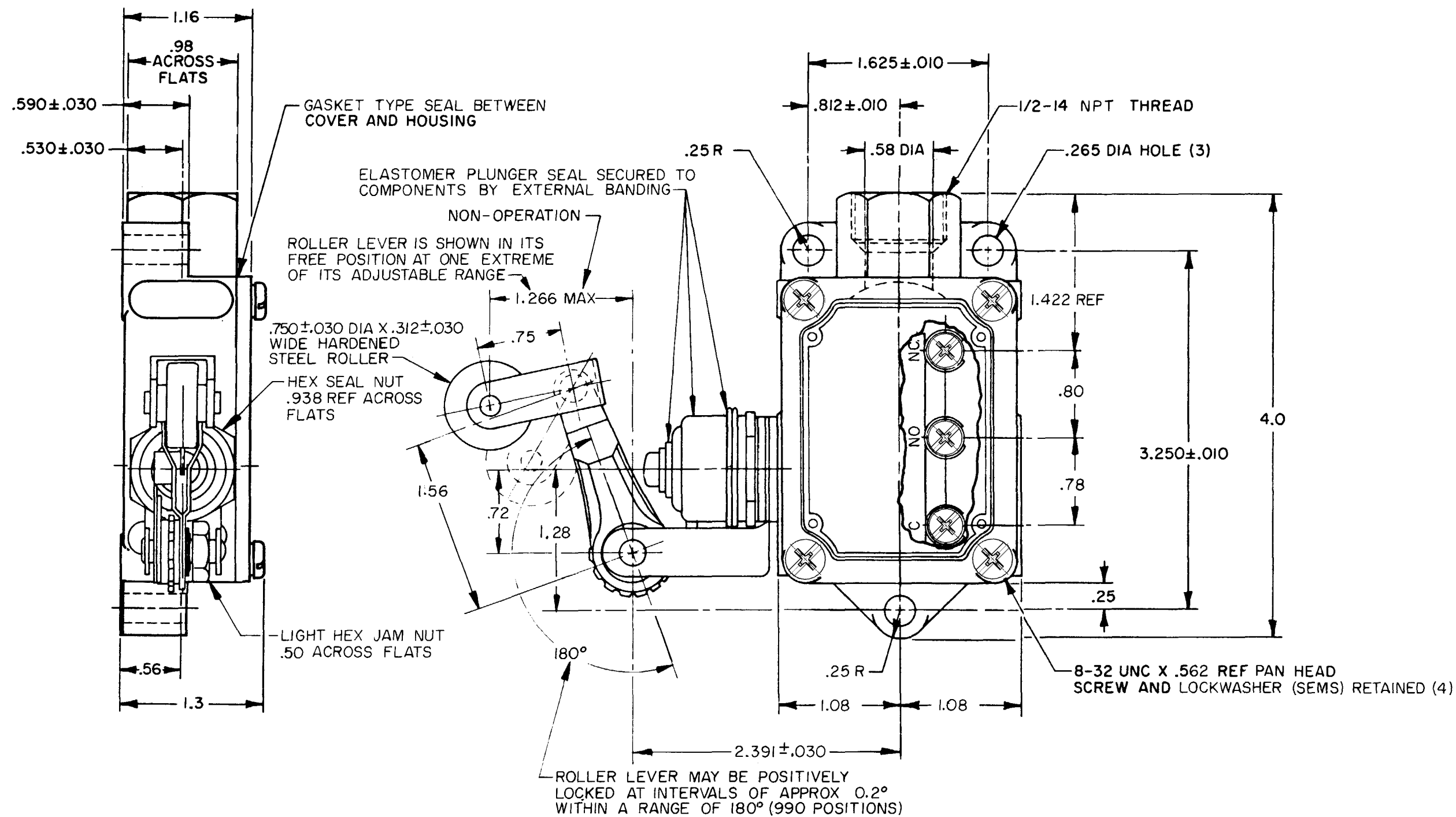
MICRO SWITCH
a Honeywell Division

SWITCH-ENCLOSED

CATALOG LISTING
BAFI-2RN28-LH
(LEFT HAND)

FED. MFG. CODE 91929

CATALOG LISTING
BAFI-2RN28-LH
PAGE 1 OF 1
REPLACES
RELEASE NO.
CHECK
ISSUE
M
13
CHECK
REVISIONS
A
CO-7
73287M
GJW
11 MAY 95
CHECK
JJA
25 MAY 95
CHECK
GJW
11 MAY 95
DRAWN
FORMTEK



THIS DRAWING COVERS A PROPRIETARY ITEM AND IS THE PROPERTY OF MICRO SWITCH, A DIVISION OF HONEYWELL. THIS DRAWING IS NOT TO BE COPIED OR USED WITHOUT THE APPROVAL OF MICRO SWITCH

CHARACTERISTICS	ELECTRICAL DATA
OPERATING FORCE - - - - - 2 LBS MAX	CONTACT ARRANGEMENT S P D T
RELEASE FORCE - - - - - 8 OZ MIN	L23 20A 125, 250 OR 480 VAC
PRETRAVEL - - - - - .219 MAX	10A 125 VAC "L"
DIFFERENTIAL TRAVEL - - - - .020 MAX	1HP 125 VAC, 2HP 250 VAC
OVERTRAVEL - - - - - .250 MIN	1/2A 125 VDC, 1/4A 250 VDC
SWITCH-BASIC REPLACEMENT -- BA-2R708-P7	

THIRD ANGLE PROJECTION
SCALE FULL
DO NOT SCALE PRINT
UNLESS OTHERWISE SPECIFIED TOLERANCES ARE
ONE PLACE (.0) ±.030
TWO PLACE (.00) ±.015
THREE PLACE (.000) ±.005
ANGLES ±
WEIGHT .670 LB

- NOTES**
- 1 - ROLLER LEVER BRACKET ASSEMBLY MAY BE SFT IN ANY POSITION AROUND AXIS OF PLUNGER
 - 2 - 8-32 UNC X (.219) BINDER HEAD, COMBINATION, TERMINAL SCREWS AND CUPWASHERS

