

EMILY-SS

~11° smooth spot beam. 14.82 mm high lens.

TECHNICAL SPECIFICATIONS:

Dimensions	Ø 26.0 mm
Height	14.8 mm
Fastening	tape, pin
ROHS compliant	yes ⓘ

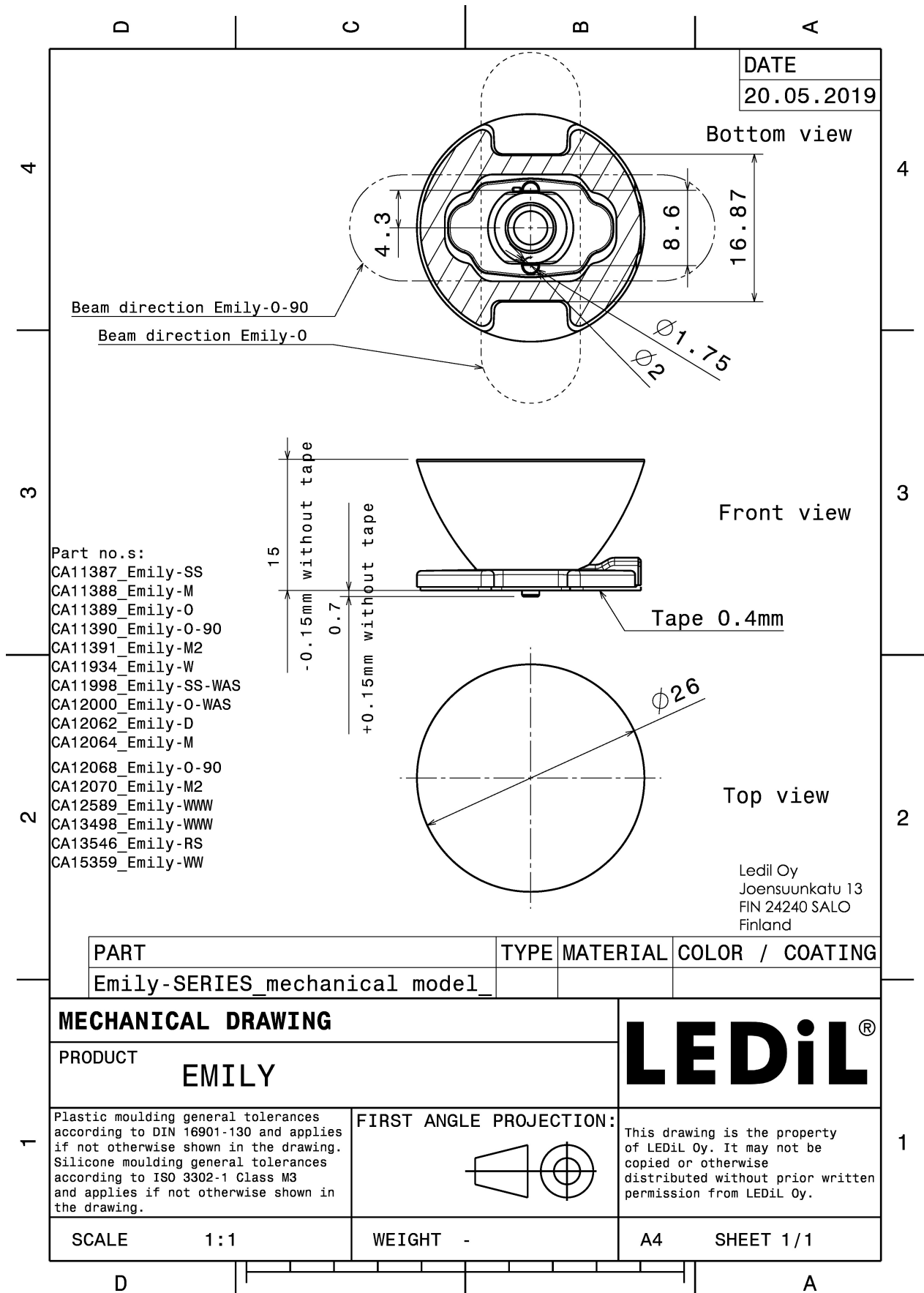
MATERIAL SPECIFICATIONS:

Component	Type	Material	Colour	Finish
EMILY-SS	Single lens	PMMA	clear	
SPUTNIK-TAPE	Tape	PU tape	black	



ORDERING INFORMATION:

Component		Qty in box	MOQ	MPQ	Box weight (kg)
CA11387_EMILY-SS	Single lens	1690	260	130	10.4
» Box size: 480 x 280 x 300 mm					



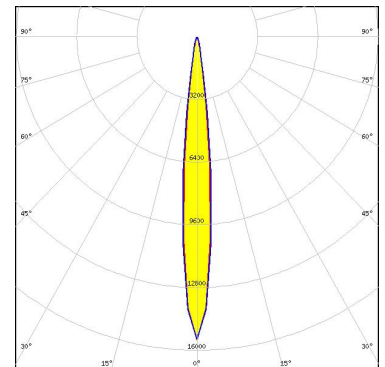
PHOTOMETRIC DATA (MEASURED):

CREE

LED XP-E
FWHM 10.0°
Efficiency 93 %
Peak intensity 17.7 cd/lm
LEDs/each optic 1
Light colour White
Required components:

CREE

LED XP-G
FWHM 11.0°
Efficiency 93 %
Peak intensity 15.5 cd/lm
LEDs/each optic 1
Light colour White
Required components:



LUMILEDS

LED LUXEON Rebel
FWHM 10.0°
Efficiency 93 %
Peak intensity 15.9 cd/lm
LEDs/each optic 1
Light colour White
Required components:

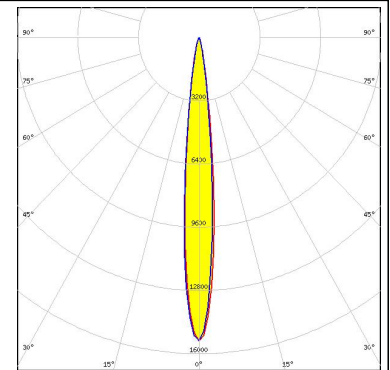
NICHIA

LED NCSxx19A
FWHM 11.0°
Efficiency 91 %
LEDs/each optic 1
Light colour White
Required components:

PHOTOMETRIC DATA (MEASURED):



LED NCSxx19B
FWHM 12.0°
Efficiency 87 %
Peak intensity 15.3 cd/lm
LEDs/each optic 1
Light colour White
Required components:



LED NVSxx19A
FWHM 13.0°
Efficiency 91 %
Peak intensity 11.5 cd/lm
LEDs/each optic 1
Light colour White
Required components:



Ospto Semiconductors


LED OSOLON SSL 150
FWHM 12.0°
Efficiency %
LEDs/each optic 1
Light colour White
Required components:



Ospto Semiconductors

LED OSOLON SSL 80
FWHM 11.0°
Efficiency 88 %
Peak intensity 6.7 cd/lm
LEDs/each optic 1
Light colour White
Required components:

PHOTOMETRIC DATA (MEASURED):

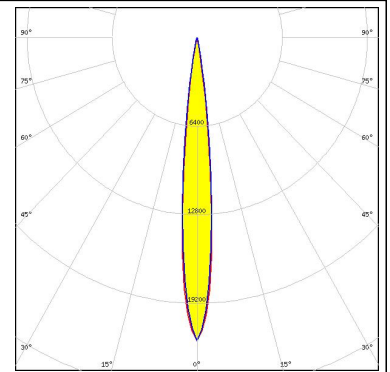
 SEOUL SEMICONDUCTOR	
LED	Z5
FWHM	10.0°
Efficiency	%
LEDs/each optic	1
Light colour	White
Required components:	
SHARP	
LED	Double Dome (GM2BB)
FWHM	10.0°
Efficiency	94 %
LEDs/each optic	1
Light colour	White
Required components:	

PHOTOMETRIC DATA (SIMULATED):

OSRAM

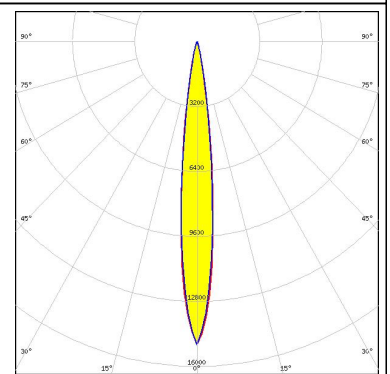
Opto Semiconductors

LED OSTAR Projection Compact (Kx.CSLNM1.xx)
FWHM 12.0°
Efficiency 96 %
Peak intensity 21.9 cd/lm
LEDs/each optic 1
Light colour White
Required components:



SAMSUNG

LED LH351B
FWHM 12.0°
Efficiency 94 %
Peak intensity 14.9 cd/lm
LEDs/each optic 1
Light colour White
Required components:



GENERAL INFORMATION:

NOTE: The typical beam angle will be changed by different color, chip size and chip position tolerance. The typical total beam angle is the full angle measured where the luminous intensity is half of the peak value.

MATERIALS:

As part of our continuous research and improvement processes, and to ensure the best possible quality and availability of our products, LEDiL reserves the right to change material grades without notice.

PRODUCT DATA USER AGREEMENT AND DISCLAIMER:

The measured data in the provided downloadable LEDiL Product Datasheets and Mechanical 2D-Drawings is rounded and provided as reference for planning. LEDiL Oy's optical specifications have been verified by conducting performance testing of the products in accordance with the company's quality system. The reported data are averaged results of multiple measurements with typical variation. LEDiL Oy reserves the right to without prior notification make changes and improvements to its products.

LEDiL Oy assumes neither warranty, nor guarantee nor any other liability of any kind for the contents and correctness of the provided data. The provided data has been generated with highest diligence but the provided data may in reality not represent the complete possible variation range of all intrinsic parameters. Therefore, in certain cases a deviation from the provided data could occur.

LEDiL Oy reserves the right to undertake technical changes of its products without further notification which could lead to changes in the provided data. LEDiL Oy assumes no liability of any kind for the possible deviation from any provided data or any other damage resulting from the usage of the provided data.

The user agrees to this disclaimer and user agreement with the download or usage of the provided files.

LEDiL Oy

Joensuunkatu 13
FI-24240 SALO
Finland

LEDiL Inc.

228 West Page Street
Suite D
Sycamore IL 60178
USA

Local sales and technical support

[www.ledil.com/
where_to_buy](http://www.ledil.com/where_to_buy)

Shipping locations

Salo, Finland
Hong Kong, China

Distribution Partners

[www.ledil.com/
where_to_buy](http://www.ledil.com/where_to_buy)