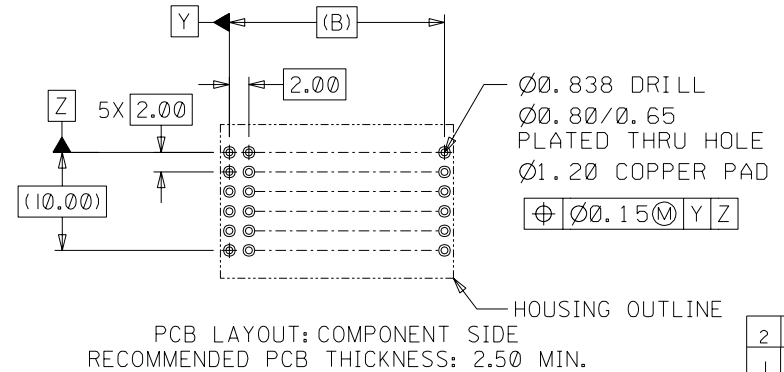
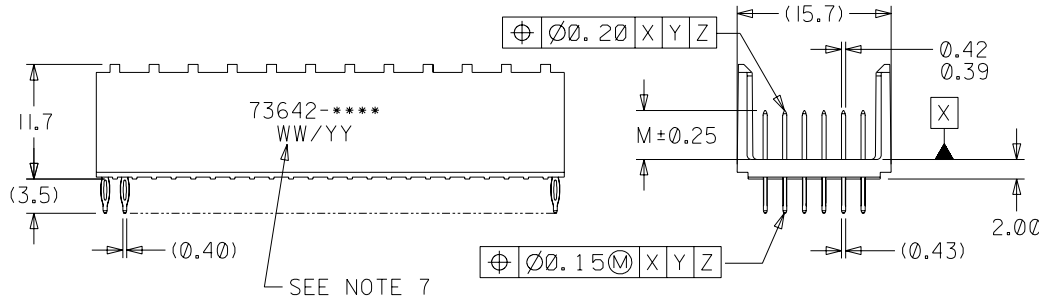
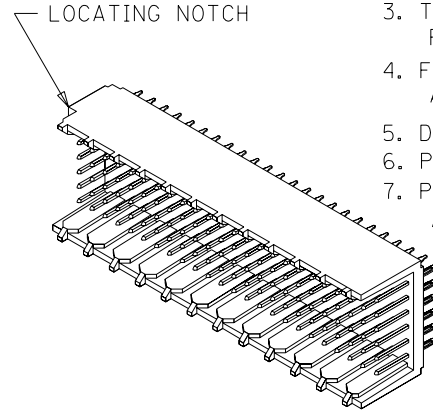
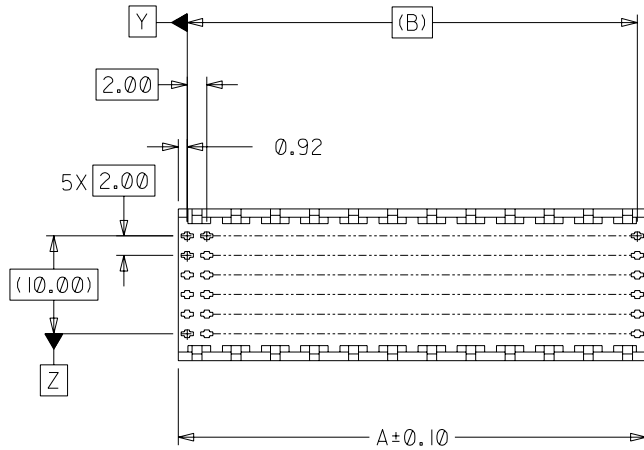


NOTES:

- MATERIALS: HOUSING - LIQUID CRYSTAL POLYMER (LCP), GLASS-FILLED, UL94V-0, COLOR: BLACK, TERMINAL - PHOSPHOR BRONZE.
- FINISHES: SELECTIVE GOLD (Au) IN CONTACT AREA, 0.00076mm MINIMUM THICKNESS; NICKEL (Ni) AND GOLD FLASH OVERALL SELECTIVE GOLD (Au) IN CONTACT AREA, 0.00076mm MINIMUM THICKNESS; SELECTIVE TIN/LEAD (Sn/Pb) IN TAIL AREA; NICKEL (Ni) OVERALL.
- THIS PART CONFORMS TO MOLEX PRODUCT SPECIFICATION PS-73670-9999.
- FOR MIXED CONTACT MATING LENGTHS, CONSULT FACTORY FOR AVAILABILITY.
- DIMENSIONS ARE IN MILLIMETERS.
- PACKAGE PER PK-70873-0818.
- PARTS MARKED WITH PART NUMBER AND DATE CODE, ON EITHER SIDE, APPROXIMATELY WHERE SHOWN.



2	C
1	I
SH	REV

I	REVISED ECR UCP2003-2260 THOMAS 03/04/25	F	REVISED ECR UDT1999-0476 BINGHAM 98/12/21	C	REVISED PER ECR #U81357 BINGHAM 97/12/15
H	REVISED ECR UDT2000-0348 BINGHAM 99/10/12	E	REVISED ECR UDT1999-0243 BINGHAM 98/09/29	B	REVISED PER ECR #U70950 BINGHAM 97/02/14
G	REVISED ECR UDT1999-0662 BINGHAM 99/05/18	D	REVISED ECR UDT1998-0240 BINGHAM 98/05/06	A	RELEASED FOR PROD. PER ECR # U70371 BINGHAM 96/12/18
LTR.	REVISIONS	LTR.	REVISIONS	LTR.	REVISIONS

DIMENSIONS SHOWN (METRIC) INCH	
UNLESS OTHERWISE SPECIFIED TOLERANCES: ANGULAR ± 1/2°	
3 PLACE	± N/A
2 PLACE	± N/A ± 0.05
1 PLACE	--- ± 0.10
DRAFT WHERE APPLICABLE MUST REMAIN WITHIN DIMENSIONS	
DRWG. BY: JRR	CHK'D. BY: SMR
APP'D. BY: CAB	SCALE: 2 : 1

▽ = 0	▼ = 0	REVISE ONLY ON CAD SYSTEM	
TITLE SALES ASSY, HDM BACKPLANE MODULE, OPEN END OPTION			
MOLEX INCORPORATED LITSE,ILL. 60532 U.S.A.		SHEET NO. 1 OF 2	DATE 96/12/18
PART NO. S73642X1 DGN		DRWG. NO. SDA-73642-****	
SEE SHEET 2		DIV. DA	
THIS DRAWING CONTAINS INFORMATION THAT IS PROPRIETARY TO MOLEX INC. AND SHOULD NOT BE USED WITHOUT WRITTEN PERMISSION.			
FILE NAME		SIZE	

MATERIAL NUMBER	NUMBER OF SIGNAL CONTACTS	PLATING	DIM "A"	DIM "B"	DIM "M"
73642-0000	72	SELECTIVE GOLD/GOLD FLASH	23.84	22.00	5.00
73642-0100	72	SELECTIVE GOLD/GOLD FLASH	23.84	22.00	5.50
73642-0200	72	SELECTIVE GOLD/GOLD FLASH	23.84	22.00	6.00
73642-1000	144	SELECTIVE GOLD/GOLD FLASH	47.84	46.00	5.00
73642-1100	144	SELECTIVE GOLD/GOLD FLASH	47.84	46.00	5.50
73642-1200	144	SELECTIVE GOLD/GOLD FLASH	47.84	46.00	6.00
73642-2000	72	SELECTIVE GOLD/SELECTIVE TIN-LEAD	23.84	22.00	5.00
73642-2100	72	SELECTIVE GOLD/SELECTIVE TIN-LEAD	23.84	22.00	5.50
73642-2200	72	SELECTIVE GOLD/SELECTIVE TIN-LEAD	23.84	22.00	6.00
73642-3000	144	SELECTIVE GOLD/SELECTIVE TIN-LEAD	47.84	46.00	5.00
73642-3100	144	SELECTIVE GOLD/SELECTIVE TIN-LEAD	47.84	46.00	5.50
73642-3200	144	SELECTIVE GOLD/SELECTIVE TIN-LEAD	47.84	46.00	6.00

DIMENSIONS SHOWN (METRIC) INCH

UNLESS OTHERWISE SPECIFIED
TOLERANCES: ANGULAR = 1/2°

	INCH	METRIC
3 PLACE	± N/A	---
2 PLACE	± N/A	± 0.05
1 PLACE	---	± 0.10

DRAFT WHERE APPLICABLE MUST
REMAIN WITHIN DIMENSIONS

DRWG. BY	JRR	CHK'D. BY	SMR
APP'D. BY	CAB	SCALE	NO:NE

▽ = 0 ▼ = 0 REVISE ONLY ON CAD SYSTEM

TITLE
SALES ASSY, HDM BACKPLANE
MODULE, OPEN END OPTION

molex PART NO. LISLE,ILL. 60532	MOLEX INCORPORATED		SHEET NO.	DATE
	U.S.A.		2	97/12/15

FILE NAME	SDA-73642-****
SEE CHART	DRWG. NO.

THIS DRAWING CONTAINS INFORMATION THAT IS PROPRIETARY TO MOLEX INC. AND SHOULD NOT BE USED WITHOUT WRITTEN PERMISSION.

DIV.	DA	SIZE	B
------	----	------	---

LTR.	REVISIONS	LTR.	REVISIONS
------	-----------	------	-----------

C SEE SHEET 1