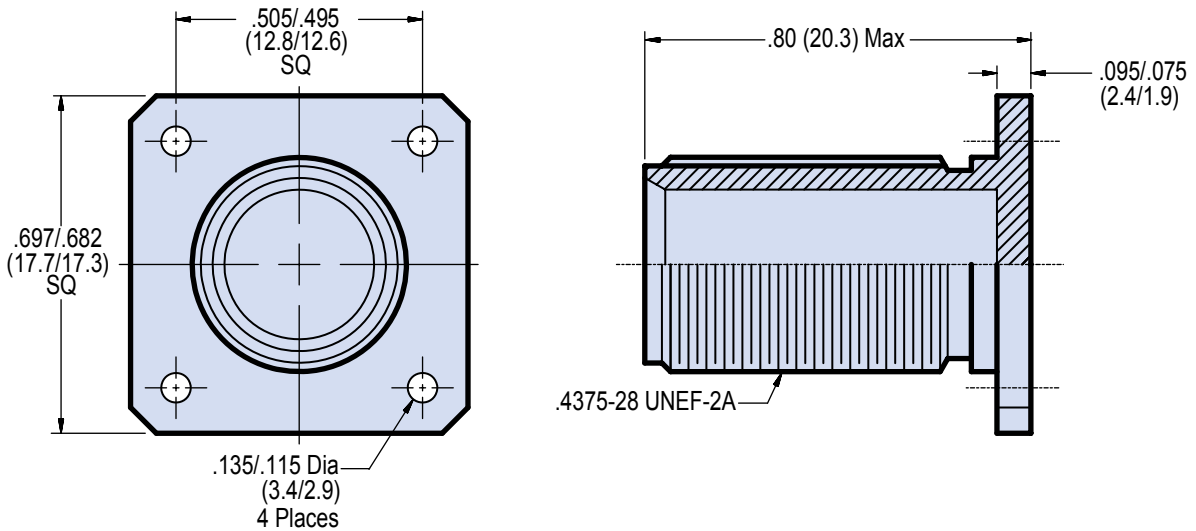
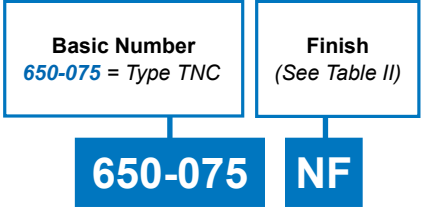


**650-075**  
**Dummy Storage Receptacle**  
**for MIL-PRF-39012 RF Coax Type TNC Connectors**



**Table II: Materials and Finishes**

| Code | Material                  | Finish                      |
|------|---------------------------|-----------------------------|
| M    | Aluminum Alloy<br>6061-T6 | Electroless Nickel          |
| MT   |                           | Nickel Teflon               |
| NF   |                           | Cadmium, Olive Drab         |
| ZR   |                           | Zinc-Nickel, Black          |
| Z1   | 303 Stainless Steel       | Passivate                   |
| BM   | Brass                     | Brass - Electroless Nickel  |
| WB   |                           | White Bronze (Non-Magnetic) |

**APPLICATION NOTES**

1. Assembly identified with manufacturer's name and part number, space permitting.
2. Material/Finish - See Table II.
3. Metric dimensions (mm) are in parentheses.