

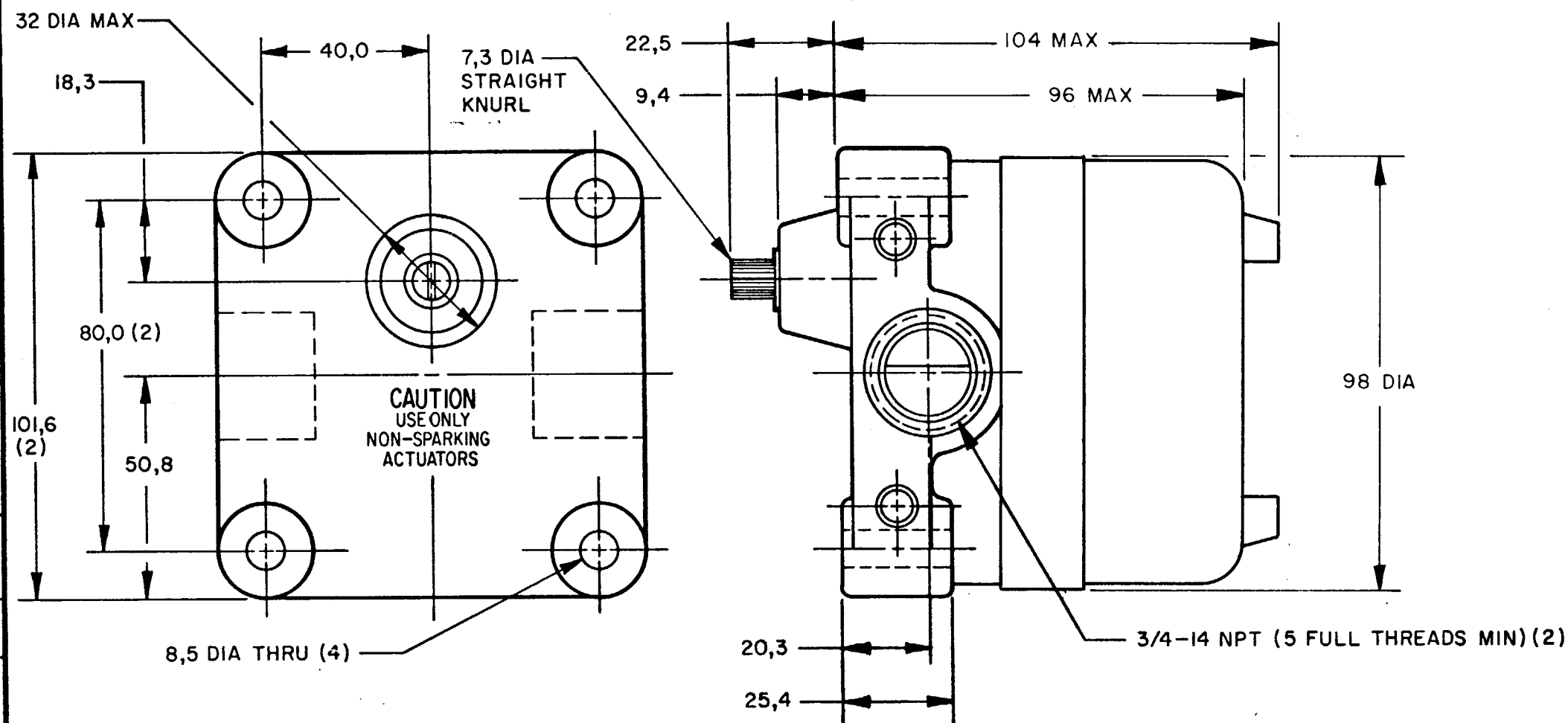
**MICRO SWITCH**  
 FREEPORT ILLINOIS U.S.A.  
 A DIVISION OF HONEYWELL  
 FED. MFG. CODE 91928

**SWITCH-ENCLOSED**

CATALOG LISTING  
**12CX200**

**CONVERSION CHART**

7,3	.29
7,92	.312
8,5	.33
9,4	.37
18,3	.72
20,3	.80
22,5	.89
25,4	1.00
32,0	1.26
40,0	1.57
50,8	2.00
80,0	3.15
96,0	3.78
98,0	3.86
101,6	4.00
104,0	4.09
0,50 Nm	.369 PF
1,13 Kg	2.49 LB



**M** 12CX200

DRAWING NUMBER

ISSUE **3**

REVISIONS

A	CO	53444
16	WJM	JAN 84
B	0058369	
20	KEW	NOV 85

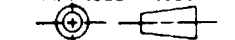
FO-92851-A  
 DRAWN J A P  
 24 JUL 80  
 CHECK G O L H  
 28 JUN 80  
 CHECK G O L H

**NOTES**

- EXPLOSION PROOF-UNDERWRITERS LAB INC LISTING FOR HAZARDOUS LOCATIONS CLASS I, GROUPS C AND D; CLASS II, GROUPS E AND G
- ALUMINUM ENCLOSURE FINISHED WITH BLUE AND BLACK EPOXY PAINT
- 6-32 UNC X 7,92 REF PAN HEAD TERMINAL SCREW AND LOCKWASHER (SEMS TERMI-LOX) (3 PER BASIC)
- CAMS MAY BE REPOSITIONED IN 7°20' INCREMENTS
- FOR USE IN TEMPERATURES UP TO 85°C
- UNIT PROVIDES NO SHAFT RESTORING FORCE, THE ACTUATING DEVICE MUST CONTROL MOVEMENT OF SHAFT
- EACH BASIC SWITCH ACTUATES AT APPROX. SAME TIME PERIODS IN CW DIRECTION AND REMAINS ACTUATED FOR APPROX. 30°. AFTER THE 30° IS TRAVERSED SWITCH REMAINS UNACTUATED FOR DURATION OF 360°

THIS DRAWING COVERS A PROPRIETARY ITEM AND IS THE PROPERTY OF MICRO SWITCH, A DIVISION OF HONEYWELL. THIS DRAWING IS NOT TO BE COPIED OR USED WITHOUT THE APPROVAL OF MICRO SWITCH.

THIRD ANGLE PROJECTION



SCALE **3/4 TO 1**

DO NOT SCALE PRINT

TOLERANCES  
 APPLY TO DESIGN UNITS. CONVERSIONS ARE ONLY FOR REFERENCE. UNLESS NOTED, TOLERANCES ARE ±

DIM.	TOL.	DIM.	TOL.
mm	mm/in	in	mm/in
NO PLACES	X	1/04	
ONE PLACE	X,X	0.4/0.016	X,X 0.01/0.005
TWO PLACES	X,XX	0.16/.008	X,XX 0.06/.005
THREE PLACES	X,XXX		X,XXX 0.16/.005
ANGLES			

DESIGN UNITS  SI METRIC  US CUSTOMARY

RAW MATERIAL-COMMERCIAL STANDARD

MICRO SWITCH STANDARDS APPLY

DIMENSIONS ARE TO BE MET BEFORE PROTECTIVE COATINGS ARE APPLIED

WEIGHT **1.13 Kg APPROX**

**CHARACTERISTICS**

OPERATING FORCE	0,50 Nm MAX	0,50 Nm MAX
DIFFERENTIAL TRAVEL		10° MAX
DEGREES ACTUATED		30° (APPROX.)

CONTACT ARRANGEMENT  
**S P D T**  
 (EACH BASIC)

CAT. LIST	DESCRIPTION	ELECTRICAL DATA
12CX200	2 BASICS; OPERATES APPROX. SAME TIM PERIOD CLOCKWISE	UL LISTED - FILE E14274 50V-125, 250 OR 480 VAC; 10A-125 VAC "L" 1HP-125 VAC; 2HP-250 VAC CODE L23 1/2A-125 VDC; 1/4A-250 VDC