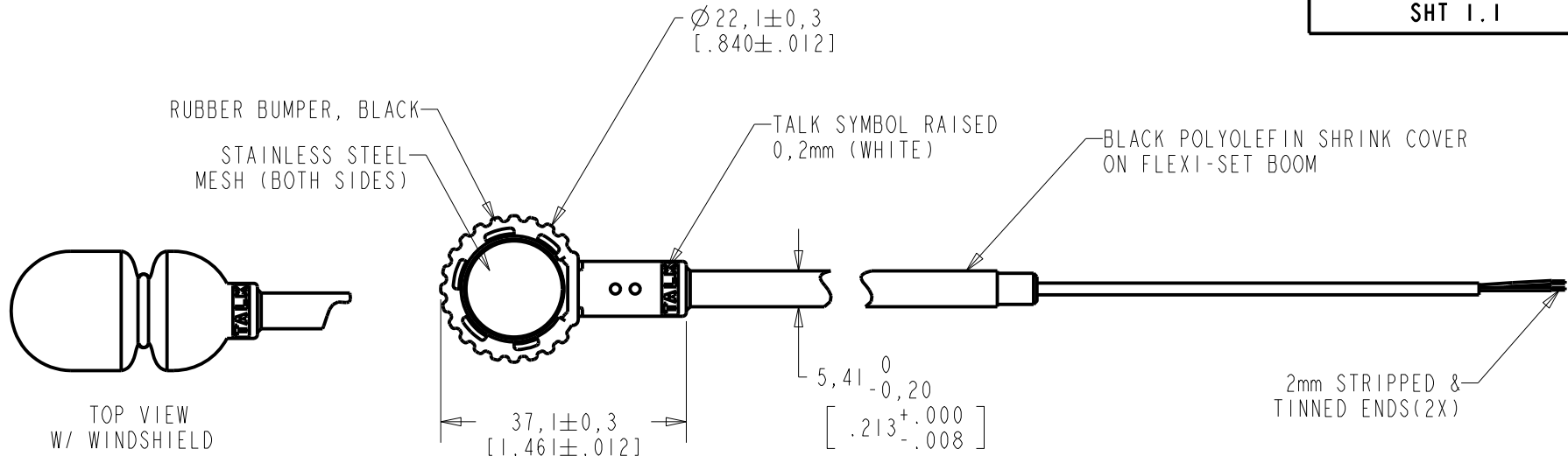
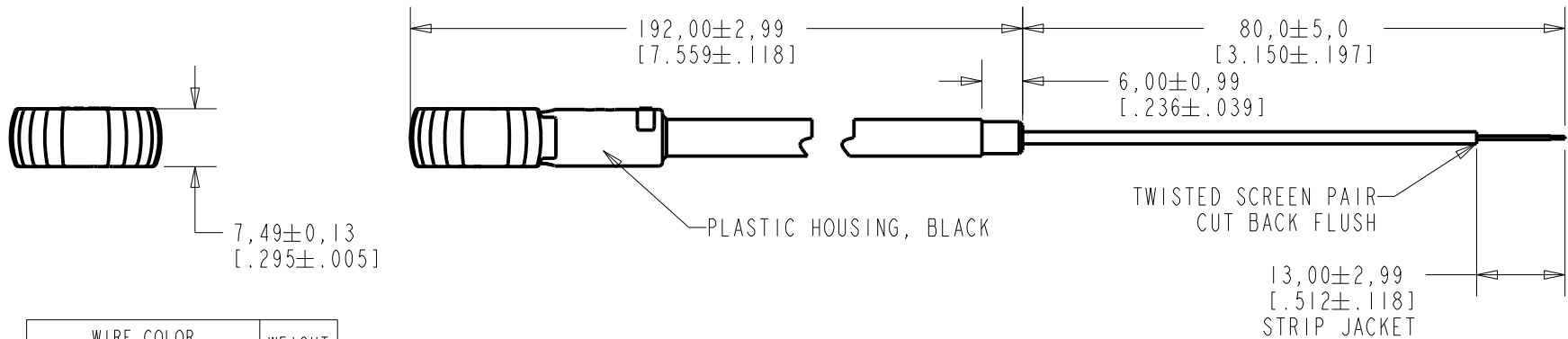


FB-EI-31552-000
SHT 1.1



TOP VIEW
W/ WINDSHIELD
SHOWN
SCALE 1:1



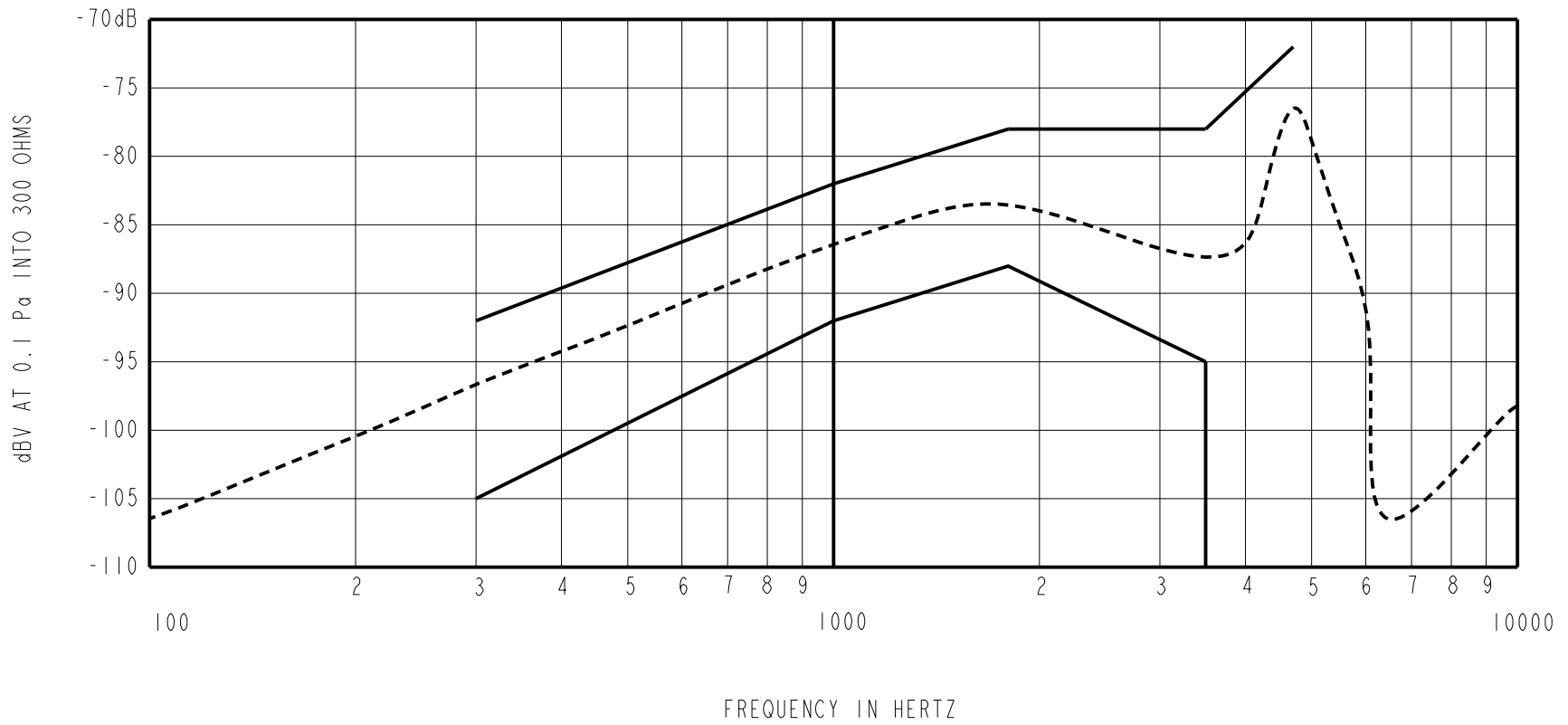
| WIRE COLOR | | | WEIGHT GRAMS |
|------------|-------|--------|--------------|
| +ve | -ve | | |
| RED | GREEN | SHIELD | t.b.d. |

DIMENSIONS IN MILLIMETERS [INCHES]

| Revision | C.O. # | Implementation Date | RELEASE LEVEL | REVISION |
|----------|-----------|---------------------|---------------|----------|
| B | C40101206 | 3-7-13 | Active | B |
| A | C40101075 | 8-7-12 | | |
| | | | | |

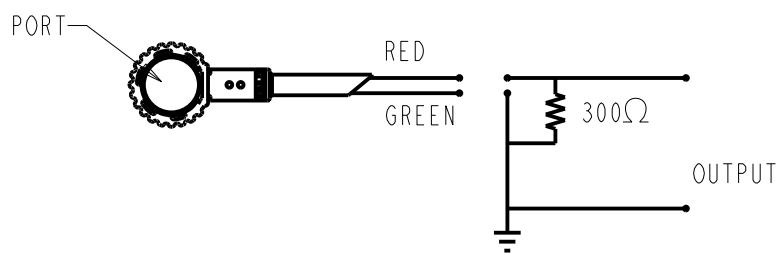
| | | |
|--|--------------|--------------|
| SCALE: 1:1 | DR. BY: OQ | DATE: 8-7-12 |
| DO NOT SCALE DRAWING | CK. BY: GJP | DATE: 8-9-12 |
| TITLE: BOOM MICROPHONE FB-EI-31552-000 | APP. BY: GJP | DATE: 8-9-12 |
| OUTLINE DRAWING | SHT 1.1 | |

KNOWLES ELECTRONICS
ITASCA, ILLINOIS U.S.A.

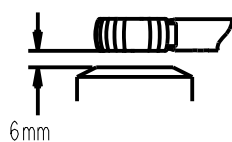


NOTES:

- SENSITIVITY VALUES INDICATED ON THIS SPECIFICATION ARE VALID AT 50% HUMIDITY.
- | FREQUENCY | SENSITIVITY | | |
|-----------|-------------|-------|------|
| | NIN. | NOM. | MAX. |
| 300 | -105 | -97.5 | -92 |
| 1000 | -92 | -87.0 | -82 |
| 1800 | -88 | -83.0 | -78 |
| 3500 | -95 | -87.5 | -78 |
| 4000 | --- | -86.5 | --- |
| 4700 | --- | -76.5 | -72 |
- TEST CONDITIONS:
HEAD OF BOOM EXPOSED TO 94 dBSPL SWEPT SOUND FIELD AT 6mm FROM VOICE APERTURE.
ARTIFICIAL VOICE:
B & k 4227 MOUTH SIMULATOR.
- FOR MICROPHONE CAPSULE SPEC. SEE DRAWING BJ-28471-000 SHEET 2.1.
- SURVIVES SUBMERSION IN 1m WATER FOR 30 MINUTES; SENSITIVITY WITHIN 3dB OF INITIAL SENSITIVITY AFTER DRIED FOR 30 MINUTES AT ROOM TEMPERATURE.



LEAD IDENTIFICATION & TEST CIRCUIT



| Revision | C.O. # | Implementation Date | RELEASE LEVEL | REVISION |
|----------|-----------|---------------------|---------------|----------|
| B | C40101206 | 3-7-13 | Active | B |
| A | C40101075 | 8-7-12 | | |

KNOWLES ELECTRONICS
ITASCA, ILLINOIS U.S.A.

WHEN TEST LIMITS ARE USED TO ESTABLISH INCOMING INSPECTION ACCEPTANCE/REJECTION CRITERIA, CORRELATION OF TEST EQUIPMENT WITH KNOWLES IS ALSO REQUIRED FOR ELIMINATION OF EQUIPMENT AND TEST METHOD VARIATION

TITLE: **BOOM MICROPHONE** **FB-EI-31552-000**
PERFORMANCE SPECIFICATION **SHT 2.1**

| | |
|---------|--------|
| DR. BY | DATE |
| OO | 8-7-12 |
| CK. BY | DATE |
| GJP | 8-9-12 |
| APP. BY | DATE |
| GJP | 8-9-12 |