

PLEASE CHECK WWW.MOLEX.COM FOR LATEST PART INFORMATION

Part Number: [0780350301](#)
Status: **Active**
Description: 0.60mm (.024") Pitch miniDIMM DDR3 Socket, Surface Mount, 22.5° Reverse Angle, 0.76µm (30µ") Gold (Au) Plating, Off-White Latches, 244 Circuits, 1.5V Voltage Key, Lead-free

Documents:

[3D Model](#) [Product Specification PS-78035-001 \(PDF\)](#)
[Drawing \(PDF\)](#) [RoHS Certificate of Compliance \(PDF\)](#)

General

Product Family	Memory Module Sockets
Series	78035
Comments	Latches in Off-White Color
Component Type	Socket
JEDEC Outline	MO-244
Product Name	MiniDIMM

Physical

Circuits (Loaded)	244
Color - Resin	Black, Natural (White)
Durability (mating cycles max)	25
Entry Angle	22.5° Angle
Keying to Mating Part	Yes
Material - Metal	Copper Alloy
Material - Plating Mating	Gold
Material - Plating Termination	Tin
Material - Resin	High Temperature Thermoplastic
PCB Locator	Yes
PCB Retention	Yes
Packaging Type	Tray
Pitch - Mating Interface (in)	0.024 In
Pitch - Mating Interface (mm)	0.60 mm
Plating min: Mating (µin)	30
Plating min: Mating (µm)	0.76
Plating min: Termination (µin)	100
Plating min: Termination (µm)	2.54
Temperature Range - Operating	-55°C to +85°C
Termination Interface: Style	Surface Mount

Electrical

Current - Maximum per Contact	1A
Voltage - Maximum	30V
Voltage Key	1.5V

Solder Process Data

Duration at Max. Process Temperature (seconds)	5
Lead-free Process Capability	Reflow Capable (SMT only)
Max. Cycles at Max. Process Temperature	1
Process Temperature max. C	260

Material Info

Reference - Drawing Numbers

Application Specification	AS-87782-001
Product Specification	PS-78035-001
Sales Drawing	SD-78035-001

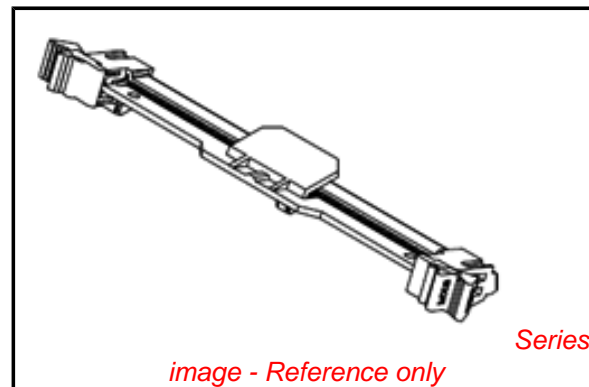


image - Reference only

EU RoHS

**ELV and RoHS
Compliant**
REACH SVHC
 Not Reviewed
**Halogen-Free
Status**

China RoHS



Not Reviewed

**Need more information on product
environmental compliance?**

Email productcompliance@molex.com
 For a multiple part number RoHS Certificate of Compliance, [click here](#)

Please visit the [Contact Us](#) section for any non-product compliance questions.

Search Parts in this Series

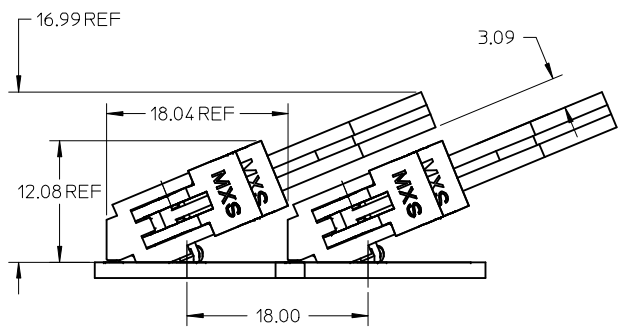
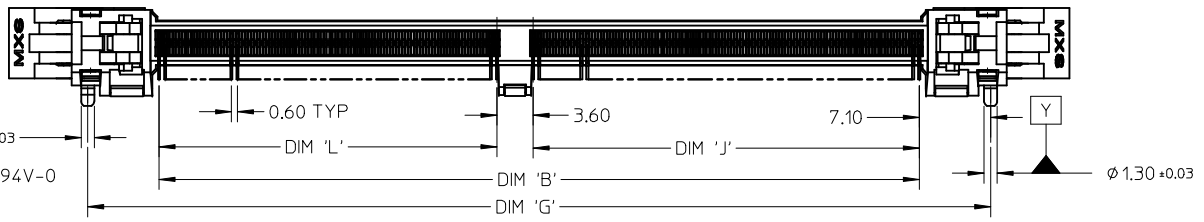
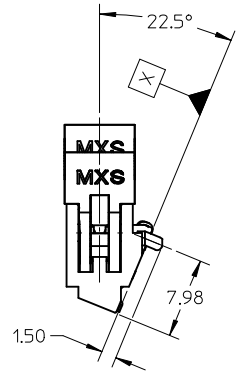
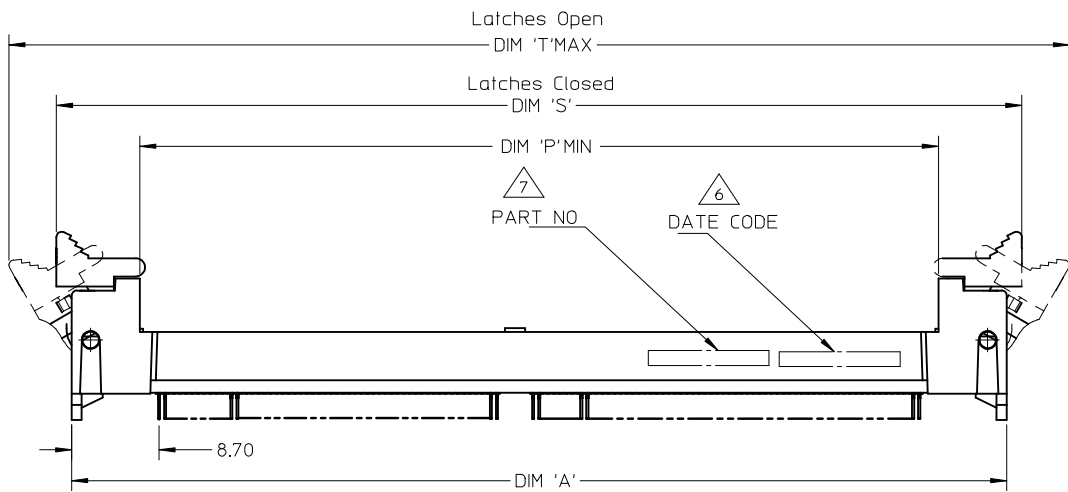
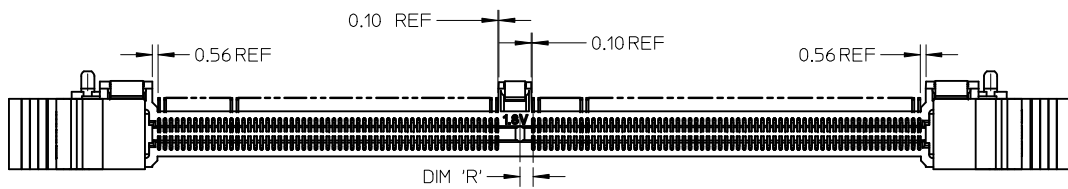
[78035Series](#)

Mates With

JEDEC MO-244 Modules

This document was generated on 04/26/2010

PLEASE CHECK WWW.MOLEX.COM FOR LATEST PART INFORMATION



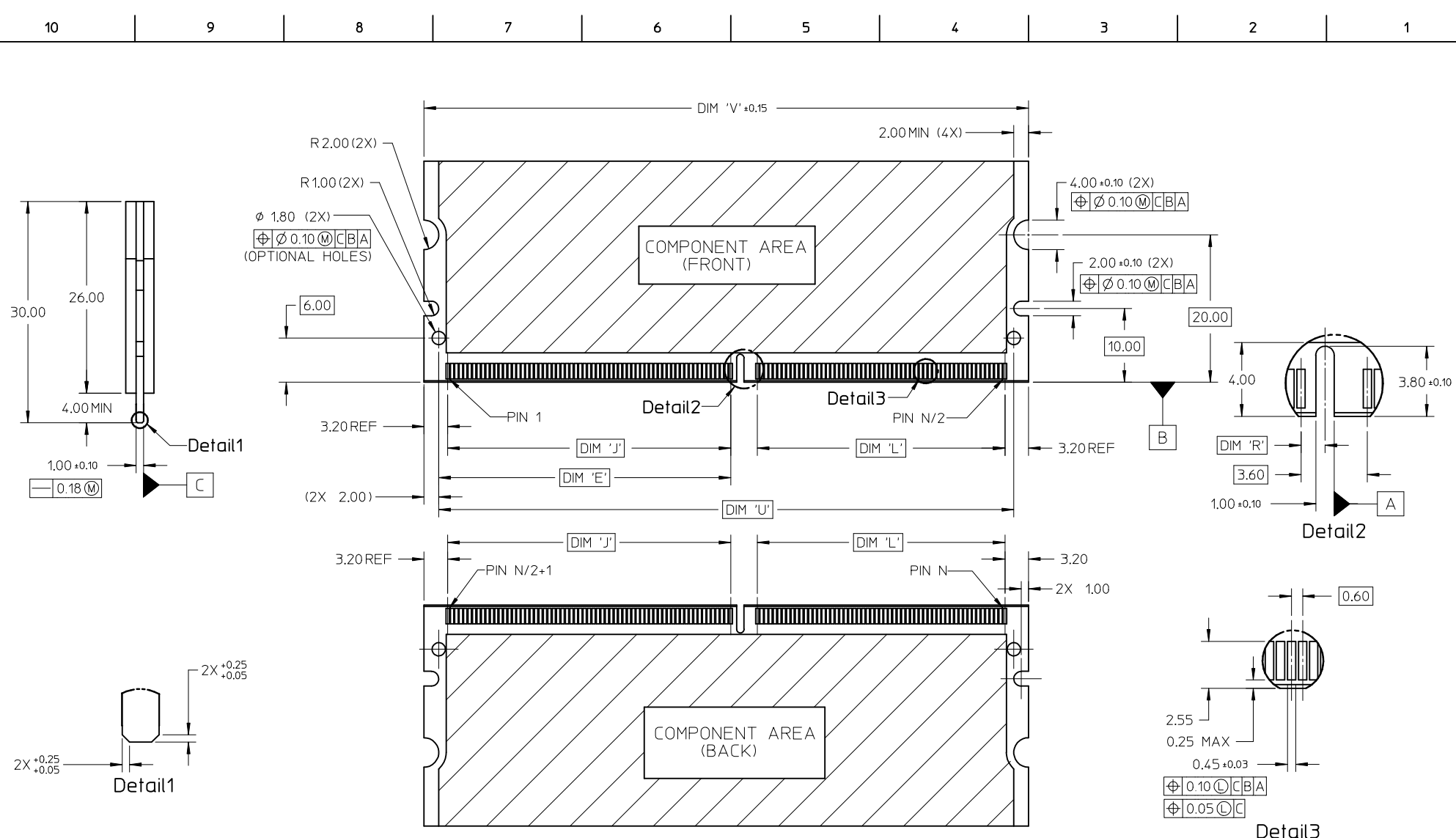
MINIMUM HEIGHT OF SOCKET WITH
MODULE CARD HEIGHT OF 30.00MM
AND THICKNESS OF 4MM.

- NOTES :
- MATERIAL :
HOUSING : HIGH TEMPERATURE LIQUID CRYSTAL POLYMER, UL94V-0
COLOUR : BLACK
CONTACTS : COPPER ALLOY
LATCHES : HIGH TEMPERATURE NYLON, UL94V-0
COLOUR : NATURAL (OFF-WHITE)
COVER : HIGH TEMPERATURE NYLON, UL 94V-0
COLOUR : BLACK

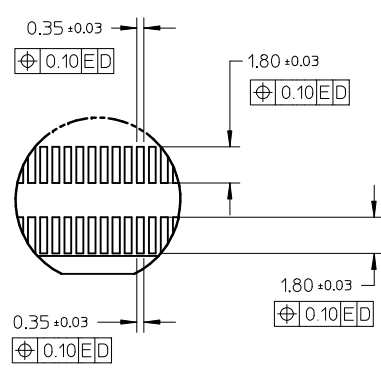
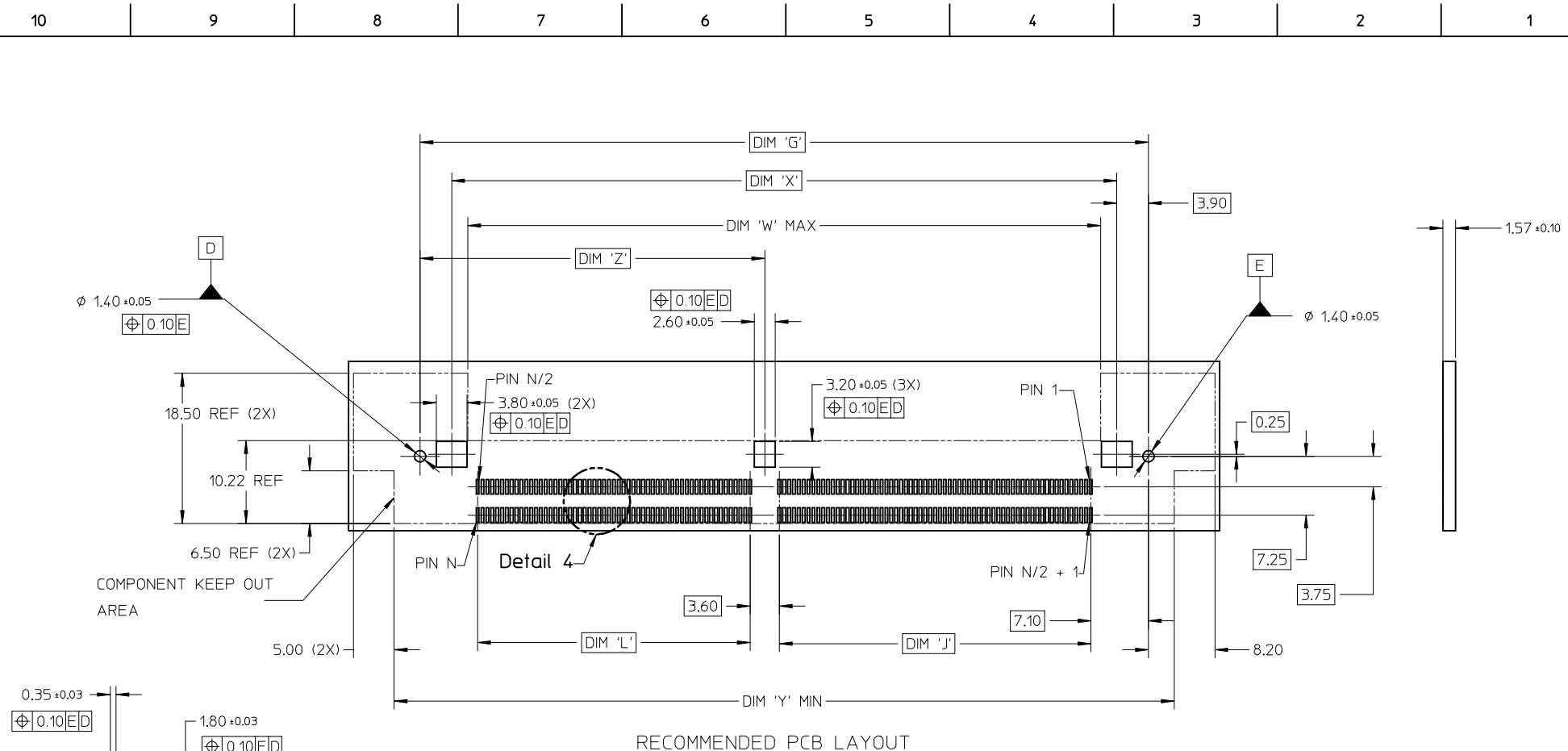
- FINISH
CONTACTS : 0.76 MICROMETER (30 MICROINCH) MIN GOLD OVER
1.25 MICROMETER (50 MICROINCH) MIN NICKEL
SMT TAIL : 2.54 MICROMETER (100 MICROINCH) MIN TIN OVER
1.25 MICROMETER (50 MICROINCH) MIN NICKEL
- ACCEPTS 1.0mm THICK MEMORY MODULE PER JEDEC MO-244 FOR 244 CKTS AND MO-258 FOR 200 CKTS.
- PRODUCT SPECIFICATION : PS-78035-001.
- PRODUCT SHALL BE PACKED IN TRAY

- △ DATE CODE SHALL BE MARKED LEGIBLY AS SHOWN : YY DDD.
- △ PART NUMBER SHALL BE MARKED LEGIBLY AS SHOWN : 78035-XXXX (REFER TO TABLE).

NEW COVER EC NO: S2010-0004 DRWN: TARUNGHAM 2009/08/12 CHKD: GGTAN 2009/08/12 APPR: SHLENI 2009/08/17	QUALITY SYMBOLS ▽=0 △=0	GENERAL TOLERANCES (UNLESS SPECIFIED)		DIMENSION STYLE MM ONLY		SCALE NTS	DESIGN UNITS METRIC	THIRD ANGLE PROJECTION		
			mm	INCH	DRAWN BY YTYANG01	DATE 2005/08/12	TITLE MINI DIMM, 0.60MM PITCH 200/244 CKTS, REV. ANGLE 22.5 DEG, SMT			
		4 PLACES	± ---	± ---	CHECKED BY SHLENI	DATE 2005/08/25	MOLEX INCORPORATED			
		3 PLACES	± ---	± ---	APPROVED BY GGLLEE	DATE 2005/08/25	MATERIAL NO. SEE TABLE	DOCUMENT NO. SD-78035-001	SHEET NO. 1 OF 5	
			2 PLACES	± 0.13	± ---	THIS DRAWING CONTAINS INFORMATION THAT IS PROPRIETARY TO MOLEX INCORPORATED AND SHOULD NOT BE USED WITHOUT WRITTEN PERMISSION				
			1 PLACE	± 0.25	± ---					
			ANGULAR ± 1 °							
		DRAFT WHERE APPLICABLE MUST REMAIN WITHIN DIMENSIONS								



NEW COVER EC NO: S2010-0004 DRWN: TARUNGHAM 2009/08/12 CHKD: GGTAN 2009/08/12 APPR: SHLENI 2009/08/17	QUALITY SYMBOLS ▽=0 ▽=0	GENERAL TOLERANCES (UNLESS SPECIFIED)	DIMENSION STYLE MM ONLY	SCALE NTS	DESIGN UNITS METRIC	THIRD ANGLE PROJECTION																													
		<table border="1"> <thead> <tr> <th></th> <th>mm</th> <th>INCH</th> </tr> </thead> <tbody> <tr> <td>4 PLACES</td> <td>± ---</td> <td>± ---</td> </tr> <tr> <td>3 PLACES</td> <td>± ---</td> <td>± ---</td> </tr> <tr> <td>2 PLACES</td> <td>± 0.13</td> <td>± ---</td> </tr> <tr> <td>1 PLACE</td> <td>± 0.25</td> <td>± ---</td> </tr> <tr> <td colspan="3">ANGULAR ± 1 °</td> </tr> </tbody> </table>		mm	INCH	4 PLACES	± ---	± ---	3 PLACES	± ---	± ---	2 PLACES	± 0.13	± ---	1 PLACE	± 0.25	± ---	ANGULAR ± 1 °			<table border="1"> <thead> <tr> <th>DRAWN BY</th> <th>DATE</th> <th>TITLE</th> </tr> </thead> <tbody> <tr> <td>YTYANG01</td> <td>2005/08/12</td> <td rowspan="4"> MINI DIMM, 0.60MM PITCH 200/244 CKTS, REV. ANGLE 22.5 DEG, SMT MOLEX INCORPORATED </td> </tr> <tr> <td>CHECKED BY</td> <td>DATE</td> </tr> <tr> <td>APPROVED BY</td> <td>DATE</td> </tr> <tr> <td>GGLEE</td> <td>2005/08/25</td> </tr> </tbody> </table>	DRAWN BY	DATE	TITLE	YTYANG01	2005/08/12	MINI DIMM, 0.60MM PITCH 200/244 CKTS, REV. ANGLE 22.5 DEG, SMT MOLEX INCORPORATED	CHECKED BY	DATE	APPROVED BY	DATE	GGLEE	2005/08/25	MOLEX INCORPORATED	
		mm	INCH																																
	4 PLACES	± ---	± ---																																
3 PLACES	± ---	± ---																																	
2 PLACES	± 0.13	± ---																																	
1 PLACE	± 0.25	± ---																																	
ANGULAR ± 1 °																																			
DRAWN BY	DATE	TITLE																																	
YTYANG01	2005/08/12	MINI DIMM, 0.60MM PITCH 200/244 CKTS, REV. ANGLE 22.5 DEG, SMT MOLEX INCORPORATED																																	
CHECKED BY	DATE																																		
APPROVED BY	DATE																																		
GGLEE	2005/08/25																																		
DRAFT WHERE APPLICABLE MUST REMAIN WITHIN DIMENSIONS	SEE TABLE	MATERIAL NO. DOCUMENT NO.	SD-78035-001	SHEET NO. 2 OF 5																															



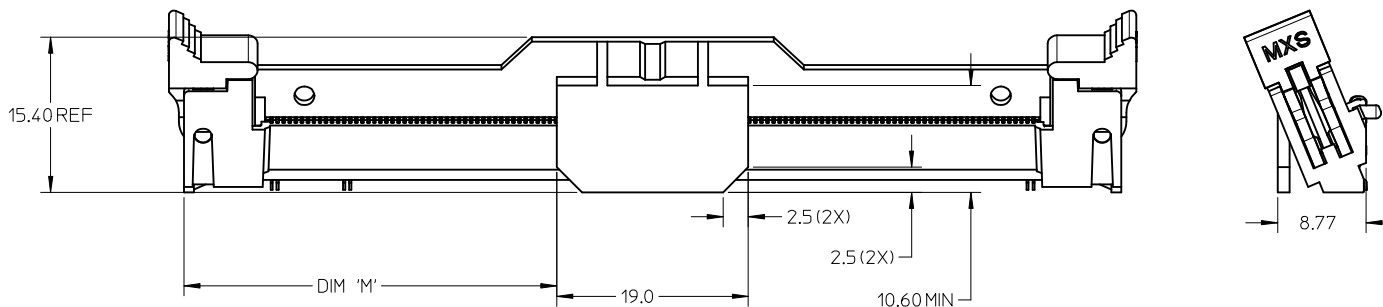
Detail 4

NEW COVER EC NO: S2010-0004 DRWN: TARUMUGHAM 2009/08/12 CHKD: CGTAN 2009/08/12 APPR: SHLENI 2009/08/17	DESCRIPTION DIM 'G' DIM 'X' DIM 'W' MAX DIM 'Z' DIM 'L' DIM 'J' DIM 'Y' MIN	QUALITY SYMBOLS ▽=0 ◻=0	GENERAL TOLERANCES (UNLESS SPECIFIED) <table border="1"> <thead> <tr> <th></th> <th>mm</th> <th>INCH</th> </tr> </thead> <tbody> <tr> <td>4 PLACES</td> <td>± ---</td> <td>± ---</td> </tr> <tr> <td>3 PLACES</td> <td>± ---</td> <td>± ---</td> </tr> <tr> <td>2 PLACES</td> <td>± 0.13</td> <td>± ---</td> </tr> <tr> <td>1 PLACE</td> <td>± 0.25</td> <td>± ---</td> </tr> </tbody> </table>		mm	INCH	4 PLACES	± ---	± ---	3 PLACES	± ---	± ---	2 PLACES	± 0.13	± ---	1 PLACE	± 0.25	± ---	DIMENSION STYLE MM ONLY	SCALE NTS	DESIGN UNITS METRIC	THIRD ANGLE PROJECTION
		mm	INCH																			
	4 PLACES	± ---	± ---																			
	3 PLACES	± ---	± ---																			
2 PLACES	± 0.13	± ---																				
1 PLACE	± 0.25	± ---																				
DRAWN BY YTYANG01	DATE 2005/08/12	TITLE MINI DIMM, 0.60MM PITCH 200/244 CKTS, REV. ANGLE 22.5 DEG, SMT																				
CHECKED BY SHLENI	DATE 2005/08/25	MOLEX INCORPORATED																				
APPROVED BY GGLEE	DATE 2005/08/25	MATERIAL NO. SEE TABLE	DOCUMENT NO. SD-78035-001	SHEET NO. 3 OF 5																		

DRAFT WHERE APPLICABLE
MUST REMAIN
WITHIN DIMENSIONS

SIZE
A3

THIS DRAWING CONTAINS INFORMATION THAT IS PROPRIETARY TO MOLEX INCORPORATED AND SHOULD NOT BE USED WITHOUT WRITTEN PERMISSION

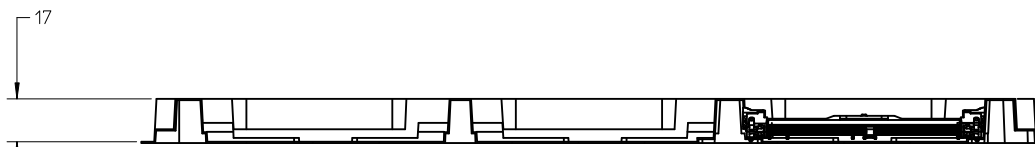
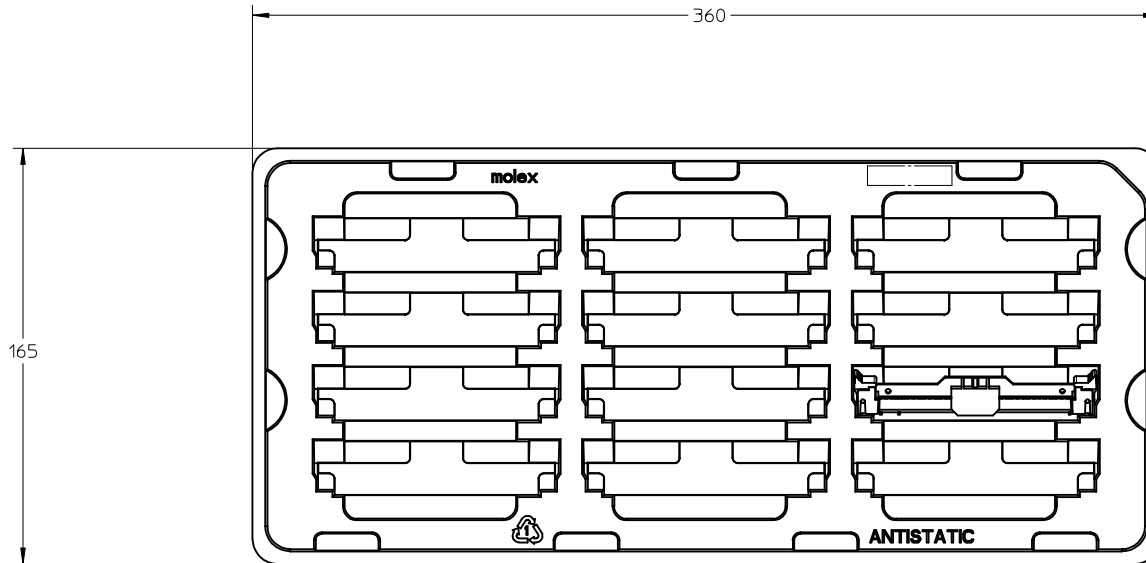


SHOWN WITH PICK & PLACE COVER

CKT SIZE 'N'	PART NUMBER	MODULE CARD	VOLTAGE KEY	DIM 'R'	DIM 'E'	DIM 'J'	DIM 'L'	DIM 'M'	DIM 'P'	DIM 'G'	DIM 'S'	DIM 'T'	DIM 'U'	DIM 'V'	DIM 'W'	DIM 'X'	DIM 'Y'	DIM 'Z'	DIM 'A'	DIM 'B'
244	78035-0001	DDR2	1.8 V	1.30	39.60	38.40	33.60	37.0	79.0	89.80	96.0	106.20	78.00	82.00	78.0	82.00	96.20	42.50	93.0	75.60
	78035-0301	DDR3	1.5 V	2.30																
200	78035-0201	DDR2	1.8 V	1.30	24.60	23.40	35.40	30.4	65.8	76.60	82.8	93.00	64.80	68.80	64.8	68.80	83.00	44.30	79.8	62.40
	78035-0202	DDR	2.5 V	2.30																

NEW COVER EC NO: S2010-0004 DRWN: TARUIGHAM 2009/08/12 CHKD: CGTAN 2009/08/12 APPR: SHLENI 2009/08/17	QUALITY SYMBOLS ▽=0 ◻=0	GENERAL TOLERANCES (UNLESS SPECIFIED) mm INCH 4 PLACES ± --- ± --- 3 PLACES ± --- ± --- 2 PLACES ± 0.13 ± --- 1 PLACE ± 0.25 ± --- ANGULAR ± 1 °	DIMENSION STYLE MM ONLY DRAWN BY: YTYANG01 DATE: 2005/08/12 CHECKED BY: SHLENI DATE: 2005/08/25 APPROVED BY: GGLEE DATE: 2005/08/25 MATERIAL NO.	SCALE NTS DESIGN UNITS METRIC THIRD ANGLE PROJECTION	TITLE MINI DIMM, 0.60MM PITCH 200/244 CKTS, REV. ANGLE 22.5 DEG, SMT MOLEX INCORPORATED DOCUMENT NO. SD-78035-001	SHEET NO. 4 OF 5
	DRAFT WHERE APPLICABLE MUST REMAIN WITHIN DIMENSIONS	SIZE A3	THIS DRAWING CONTAINS INFORMATION THAT IS PROPRIETARY TO MOLEX INCORPORATED AND SHOULD NOT BE USED WITHOUT WRITTEN PERMISSION			

10 9 8 7 6 5 4 3 2 1



VIEW OF PACKAGING TRAY

NOTES:
1. QTY OF CAVITY: 3 X 4 = 12 PCS

NEW COVER EC NO: S2010-0004 DRWN: TARUMUGHAM 2009/08/12 CHKD: CGTAN 2009/08/12 APPR: SHLENI 2009/08/17	DESCRIPTION REV	QUALITY SYMBOLS	GENERAL TOLERANCES (UNLESS SPECIFIED) mm INCH 4 PLACES ± --- ± --- 3 PLACES ± --- ± --- 2 PLACES ± 0.13 ± --- 1 PLACE ± 0.25 ± --- ANGULAR ± 1 °	DIMENSION STYLE	SCALE	DESIGN UNITS	THIRD ANGLE PROJECTION
				MM ONLY	NTS	METRIC	
				DRAWN BY	DATE	TITLE	
				CHECKED BY	DATE		
				APPROVED BY	DATE		
				GGLEE	2005/08/25		
				MATERIAL NO.			
				SEE TABLE			
				SIZE	THIS DRAWING CONTAINS INFORMATION THAT IS PROPRIETARY TO MOLEX INCORPORATED AND SHOULD NOT BE USED WITHOUT WRITTEN PERMISSION		
				A3			

MINI DIMM, 0.60MM PITCH
 200/244 CKTS, REV. ANGLE
 22.5 DEG, SMT
molex MOLEX INCORPORATED
 DOCUMENT NO. SD-78035-001
 SHEET NO. 5 OF 5

9 8 7 6 5 4 3 2 1