

FLEX-BX200

2U AI Modular PC with 8th Generation LGA1151 Core™ i7/i5/i3 and Pentium® Processor

NEW



Hardware Feature

- 2U AI Modular PC with 8th Generation LGA 1151 Intel® Core™ i7/i5/i3 and Pentium® processor
- Four hot-swappable and accessible HDD drive bays, support RAID 0/1/5/10
- Two PCIe 3.0 by 4 and two PCIe 3.0 by 8 slots
- Dual M.2 2280 PCIe Gen 3.0 x4 NVMe™ SSD support
- QTS-Gateway support

Specifications

Model		FLEX-BX200-Q370
System	CPU	8th Generation Intel® Core™ i7/i5/i3 processors in the LGA 1151 package (Please choose the TDP of the the processor under 65W)
	Chipset	Intel® 300 Series Chipsets Q370 (Coffee Lake)
	Memory	2 x 288-pin 2666/2400 MHz dual-channel DDR4 unbuffered DIMM supporting up to 64GB
	Graphics Engine	Intel® HD Graphics Gen 9 Engines with Low power 16 execution unit, supports DX2015, OpenGL 5.X and OpenCL2.x, ES 2.0
	Ethernet	Intel® I211 controller
Storage		4 x accessible 2.5" HDD/SSD SATA 6 Gb/s bay (with RAID 0/1/5/10 support) with LED indicator 2 x NGFF M.2(2280) M Key socket (support NVMe SSD)
I/O Ports and Switches		1 x HDMI output 2 x GbE LAN 6 x USB 3.1 Gen 1 (5Gb/s) Type-A 2 x RS-232 DB-9 type 1 x Mic in/1 x Line out 1 x AC Inlet Power button with power LED (power on=Blue) AT/ATX mode switch Reset button
Expansion Slots		2 x PCIe 3.0 by 8 (by 16 slot) 2 x PCIe 3.0 by 4 (Maximum card size supported: 68 mm x 167 mm)
Thermal Solution		System Fan x3, CPU Cooler x1
Power supply		AC input ATX power supply 1. 250W power supply - Input: 115VAC~230VAC, 50/60Hz - Output (Max.): 3.3V@12A, 5V@14A, 12V@25A, -12V@0.3A,+5Vsb@3A 2. 350W power supply (Build to Order) - Input: 115VAC~264VAC, 50/60Hz - Output (Max.): 3.3V@14A, 5V@16A, 12V@29A, -12V@0.3A,+5Vsb@3A -Efficiency: Full load (100%) 87%, Typical load (50%) 90%, Light load (20%) 87%
Watchdog Timer		Software Programmable support 1~255 sec. System reset
Construction	Chassis Construction	Metal Housing
	Mounting	Wall and Rack Mount
	Color	Black
	Dimensions (LxDxH) (mm)	357 x 230 x 88
	Weight (kg) Net/Gross	4/6
Environmental	Operating Temperature	-20°C ~ 50°C (with SSD and TDP 65W processor) -20°C ~ 40°C (with HDD or add-on cards without fan)
	Storage Temperature	-20°C ~ 60°C
	Operating Humidity	5% ~95%, non-condensing
	Vibration	5~17Hz, 0.1 double amplitude displacement 17~640Hz 1.5G acceleration peak to peak
	shock	10G acceleration part to part (11ms)

Ordering Information

Part No.	Description
FLEX-BX200-Q370-P/25-R10	2U AI Modular Box PC, Intel® Pentium® Gold G5400T Processor (2-core, 4-thread, 3.10 GHz) TDP 35W, two PCIe x4 and two PCIe x8 slots, four HDD bays, 250W PSU, R10
FLEX-BX200-Q370-i3/25-R10	2U AI Modular Box PC, Intel® Core™ i3-8100T Processor (4-core, 4-thread, 3.10 GHz) TDP 35W, two PCIe x4 and two PCIe x8 slots, four HDD bays, 250W PSU, R10
FLEX-BX200-Q370-i5/25-R10*	2U AI Modular Box PC, Intel® Core™ i5-8500T Processor (6-core, 6-thread, 2.1 GHz) TDP 35W, two PCIe x4 and two PCIe x8 slots, four HDD bays, 250W PSU, R10
FLEX-BX200-Q370-i7/25-R10*	2U AI Modular Box PC, Intel® Core™ i7-8700T Processor (6-core,12-thread,2.4 GHz) TDP 35W, two PCIe x4 and two PCIe x8 slots, four HDD bays, 250W PSU, R10
FLEX-BX200-Q370-P/35-R10*	2U AI Modular Box PC, Intel® Pentium® Gold G5400T Processor (2-core, 4-thread, 3.10 GHz) TDP 35W, two PCIe x4 and two PCIe x8 slots, four HDD bays, 350W PSU, R10
FLEX-BX200-Q370-i3/35-R10*	2U AI Modular Box PC, Intel® Core™ i3-8100T Processor (4-core, 4-thread, 3.10 GHz) TDP 35W, two PCIe x4 and two PCIe x8 slots, four HDD bays, 350W PSU, R10
FLEX-BX200-Q370-i5/35-R10*	2U AI Modular Box PC, Intel® Core™ i5-8500T Processor (6-core, 6-thread, 2.1 GHz) TDP 35W, two PCIe x4 and two PCIe x8 slots, four HDD bays, 350W PSU, R10
FLEX-BX200-Q370-i7/35-R10*	2U AI Modular Box PC, Intel® Core™ i7-8700T Processor (6-core,12-thread,2.4 GHz) TDP 35W, two PCIe x4 and two PCIe x8 slots, four HDD bays, 350W PSU, R10

*Build to order

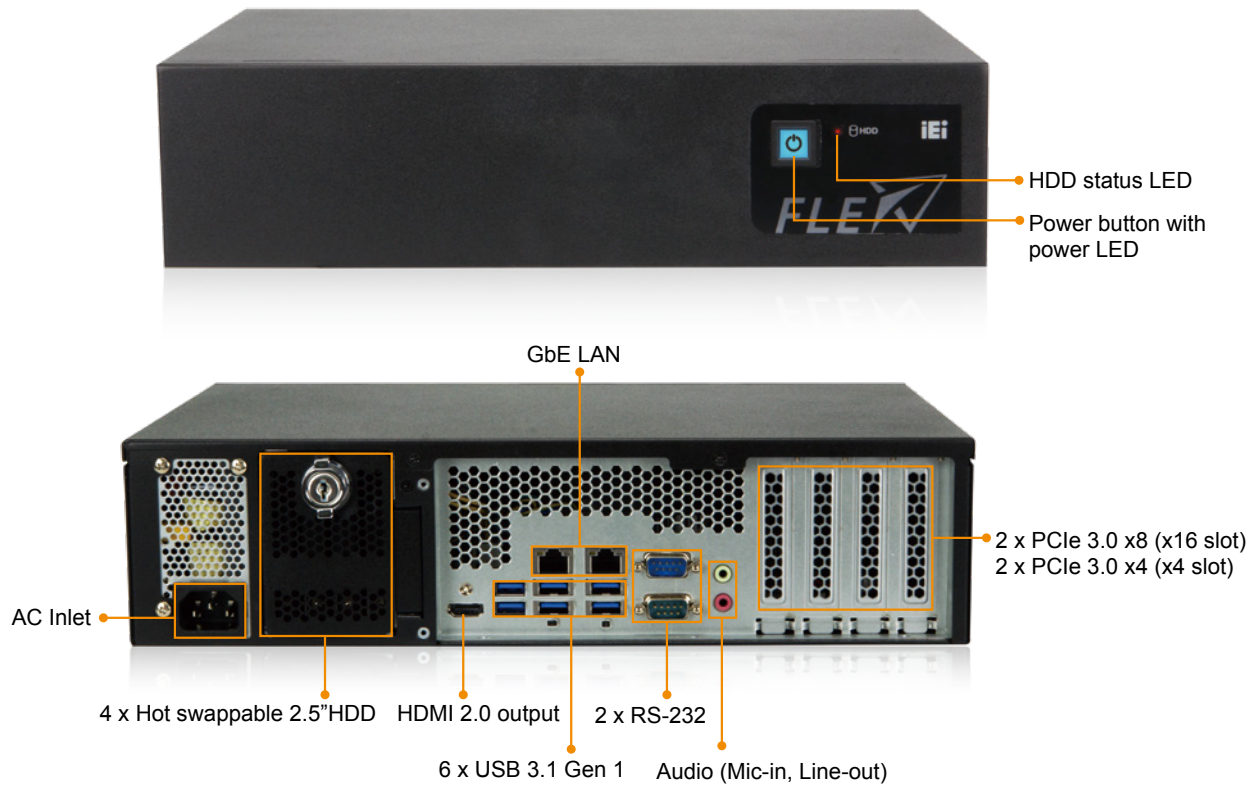
Packing List

Item	Q'ty	Remark
32702-000200-100-RS	1	European power cord, 1830mm
41020-0521C2-00-RS	2	wall mount kit, black
44035-040062-RS	4	M4*6 oval head screw for wall mount kit, black
	1	Key for HDD cover

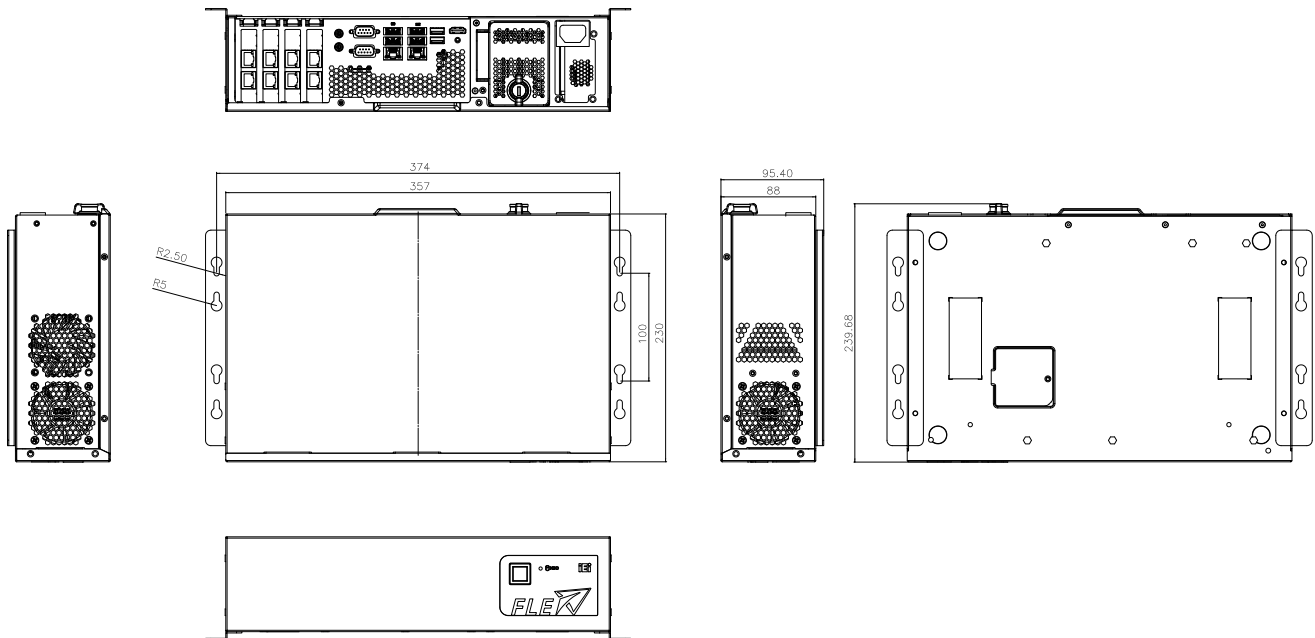
Options

Part No.	Description
FLEX-BXRK-R10	Rack mount kit

I/O Interface



FLEX-BX200 Dimensions (Unit: mm)



Configurable Systems

Panel Kit Modules



Specifications

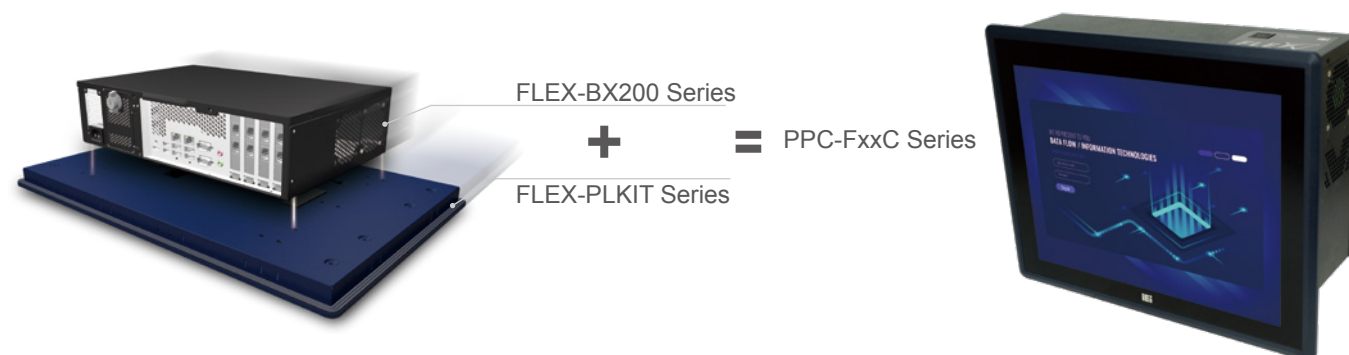
Model		FLEX-PLKIT-F15	FLEX-PLKIT-F17	FLEX-PLKIT-FW15	FLEX-PLKIT-FW19	FLEX-PLKIT-FW22	FLEX-PLKIT-FW24
TFT LCD	LCD Size	15"	17"	15.6"	18.5"	21.5"	23.8"
	Max. Resolution	1024x768	1280x1024	1366x768	1366x768	1920x1080	1920x1080
	Brightness (cd/m ²)	450	350	400	400	250	250
	Contrast Ratio	800:1	1000:1	500:1	1000:1	1000:1	3000:1
	LCD Color	16.2M	16.7M	16.2M	16.7M	16.7M	16.7M
	Viewing Angle (H/V)	160°/150°	170°/160°	170°/160°	170°/160°	170°/160°	178°/178°
	Backlight MTBF (Hrs)	70,000	50,000	50,000	50,000	30,000	30,000
Touch Screen	PCAP touch with 10-point multitouch and anti-glare coating						
Video Interface	LVDS						
IP Rating	IP66-rated front panel						
Other	Support FLEX-BX200-Q370 only						

Ordering Information

Part No.	Description
FLEX-PLKIT-F15/PC-R10	15" 450cd/m ² 1024 x 768 FLEX modular resistive touch window/LCD kit, R10
FLEX-PLKIT-F17/PC-R10	17" 350cd/m ² 1280 x 1024 FLEX modular PCAP touch window/LCD kit, R10
FLEX-PLKIT-FW15/PC-R10	15.6" 400cd/m ² 1366 x 768 FLEX modular PCAP touch window/LCD kit, R10
FLEX-PLKIT-FW19/PC-R10	18.5" 400cd/m ² 1366 x 768 FLEX modular PCAP touch window/LCD kit, R10
FLEX-PLKIT-FW22/PC-R10	21.5" 250cd/m ² 1920 x 1080 FLEX modular PCAP touch window/LCD kit, R10
FLEX-PLKIT-FW24/PC-R10	23.8" 250cd/m ² 1920 x 1080 FLEX modular PCAP touch window/LCD kit, R10

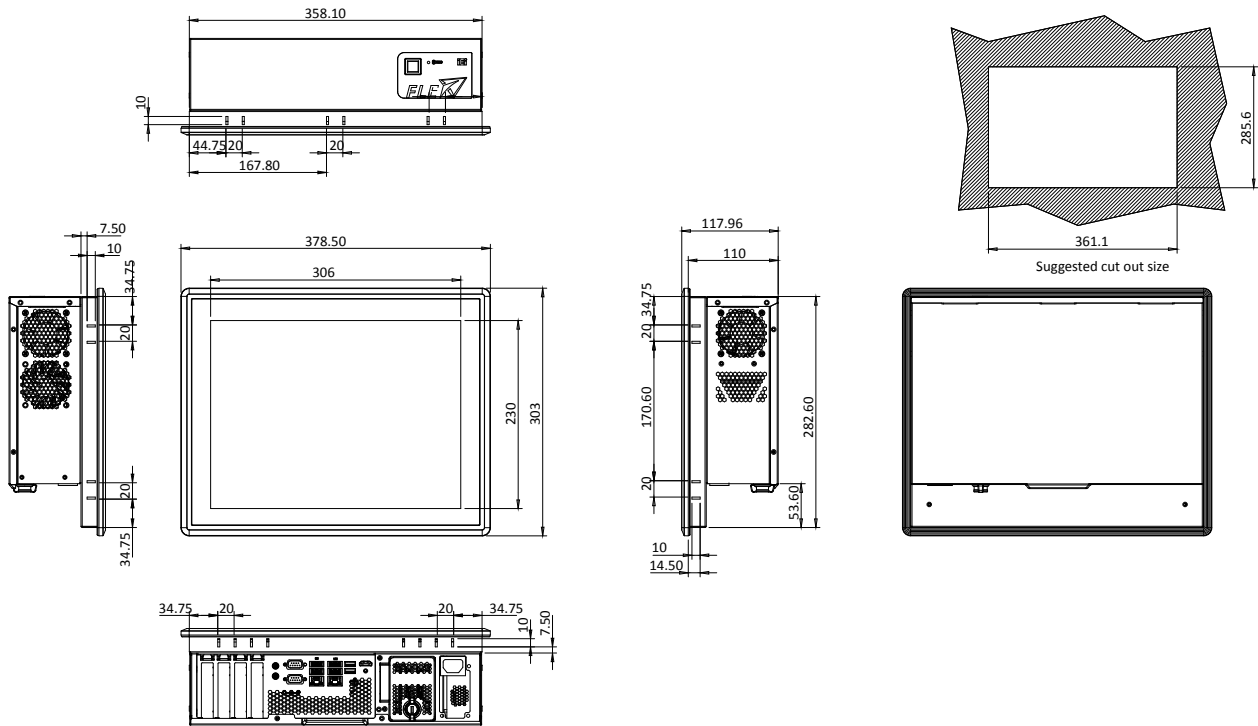
Options

Item	FLEX-PLKIT-F15	FLEX-PLKIT-FW15	FLEX-PLKIT-F17	FLEX-PLKIT-FW19	FLEX-PLKIT-FW22	FLEX-PLKIT-FW24
Panel Mount Kit	FPK-12-R10	FPK-14-R10	FPK-13-R10	FPK-13-R10	FPK-13-R10	FPK-14-R10
Rack Mount Kit	FRK15C-R10	FRKW15C-R10	FRK17C-R10	FRKW19C-R10	N.A.	N.A.

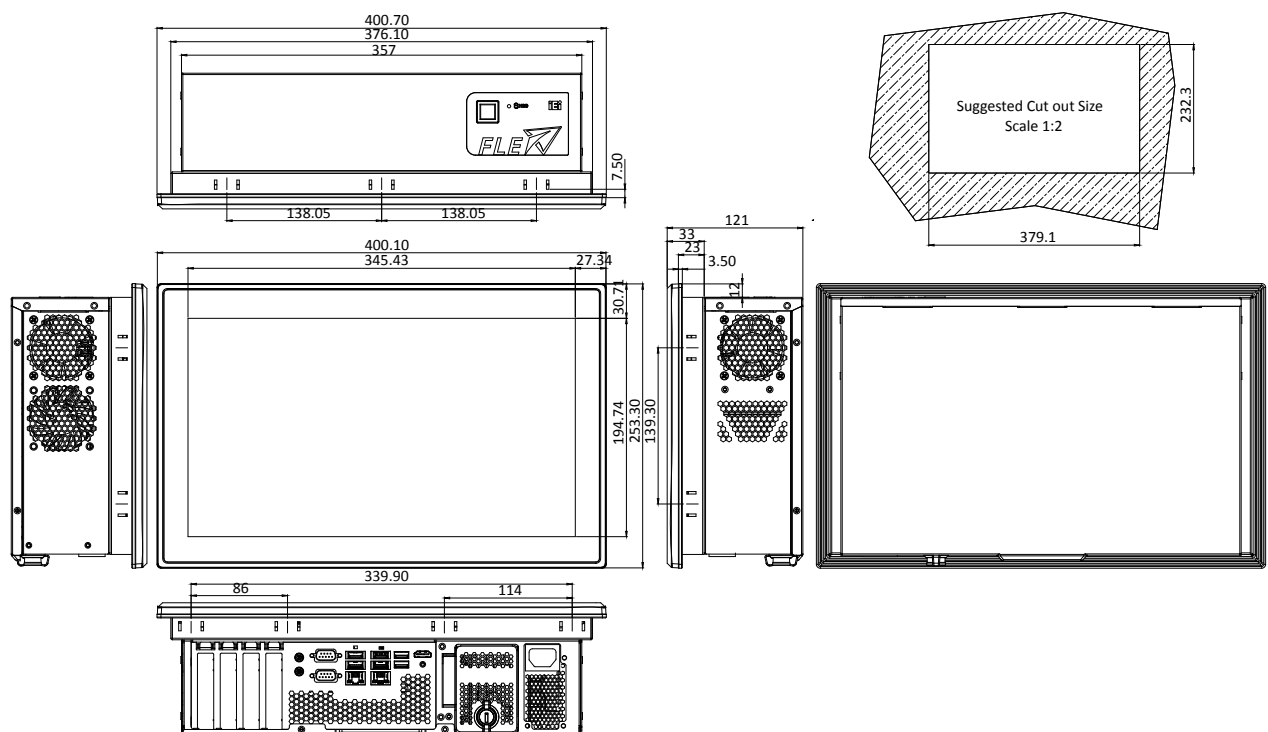


Configurable Systems

PPC-F15C-Q370 Dimensions (Unit: mm)

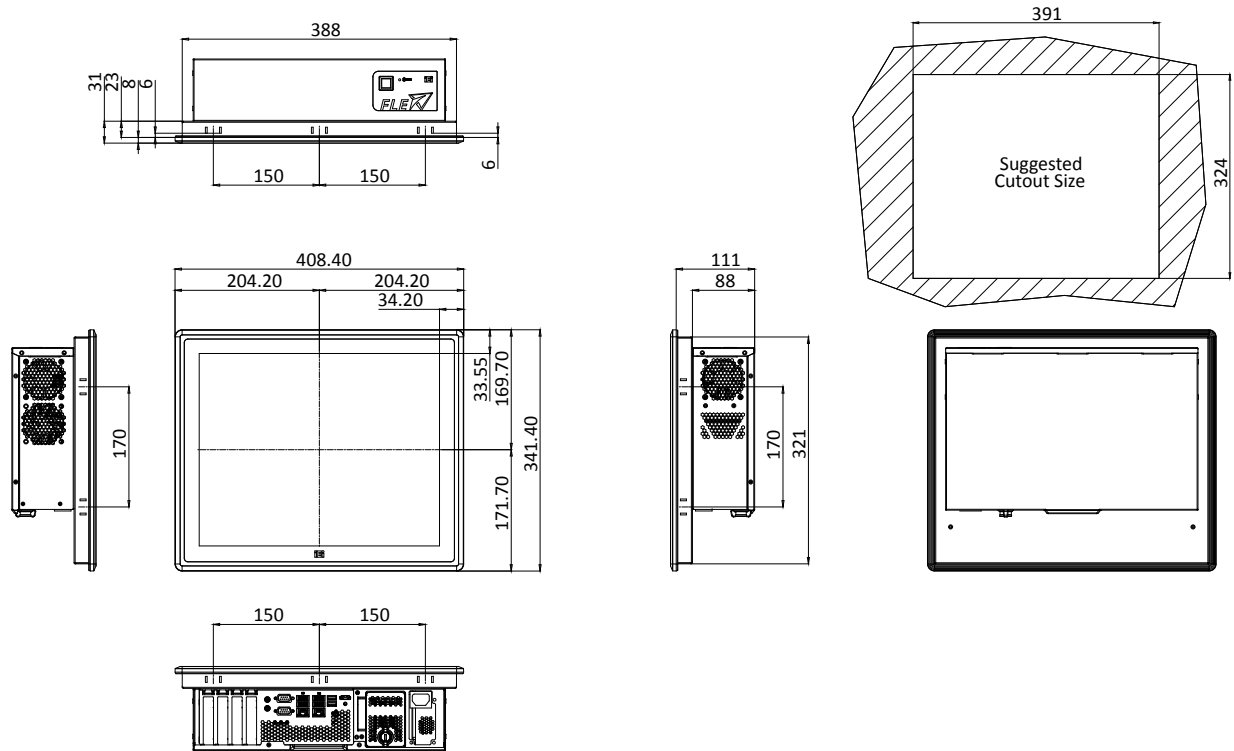


PPC-FW15C-Q370 Dimensions (Unit: mm)

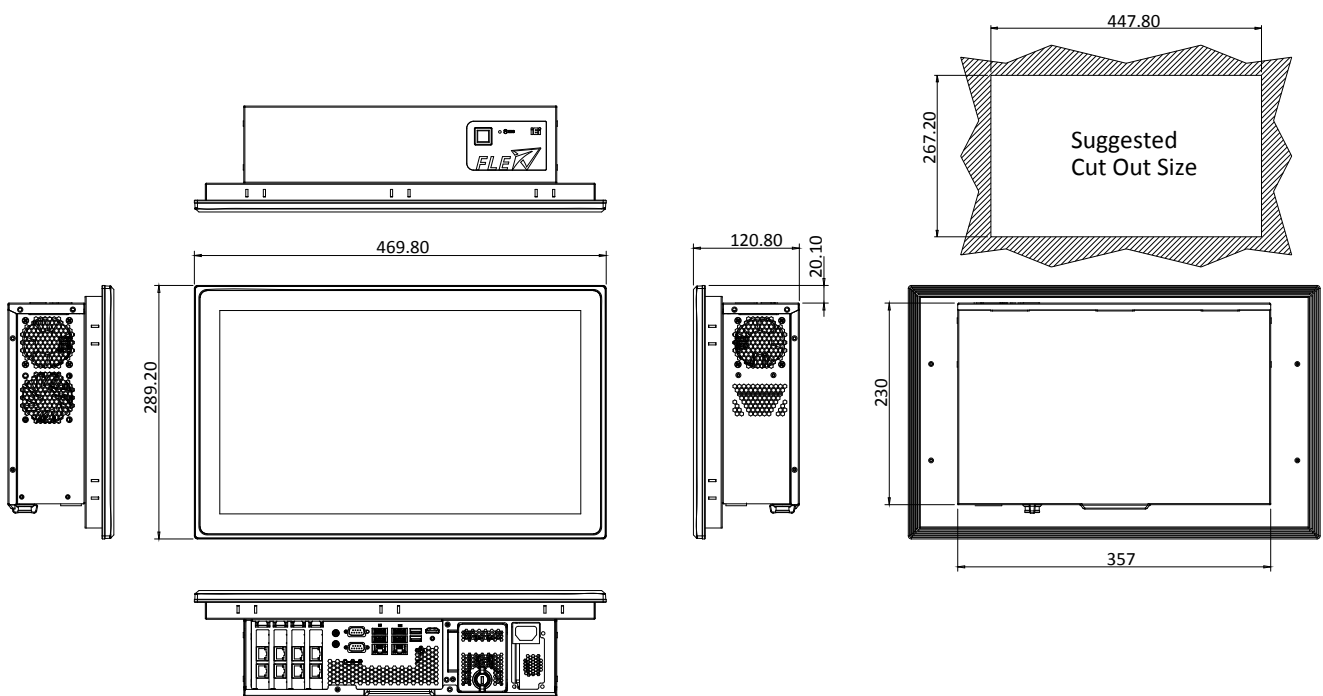


Configurable Systems

PPC-F17C-Q370 Dimensions (Unit: mm)

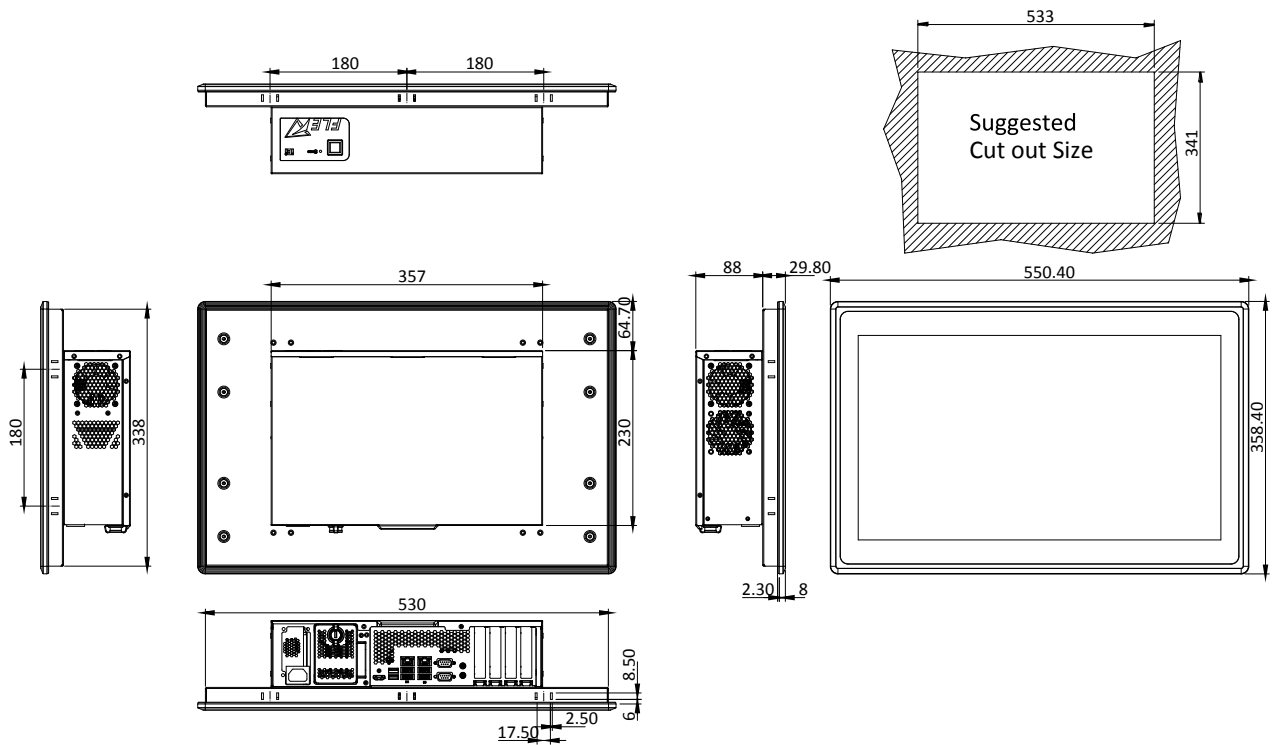


PPC-FW19C-Q370 Dimensions (Unit: mm)



Configurable Systems

PPC-FW22C-Q370 Dimensions (Unit: mm)



PPC-FW24C-Q370 Dimensions (Unit: mm)

