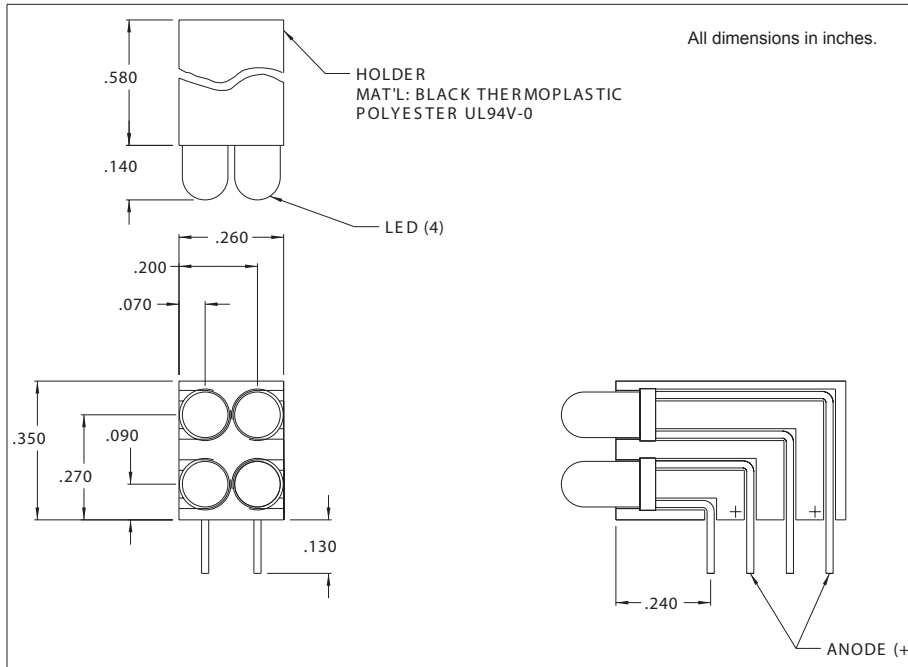


5684F Series PC Board Quad Array T-1 LEDs

Description and Features



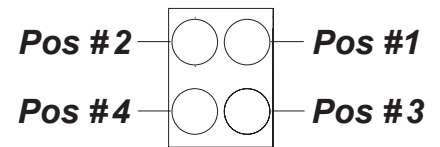
Features

- 4 T-1 LEDs mounted in single block
- High density - only 0.26" wide
- Black plastic mounting block for high contrast ratio.
- Meets UL 94V-0 and Bellcore flammability specifications .
- RoHS Compliant

Available options :

- Low current, 5V and 12V built-in resistors .
- Bi-color and blue LEDs also offered.
- Call factory for ordering information.

Refer to "Mounting Hole Pattern 2.pdf"



Ordering Information: Use chart below to determine model number.

| | Red | Amber | Green | Yellow |
|-----|-----|-------|-------|--------|
| LED | 1 | 3 | 5 | 7 |

Model No. is as follows: 5684F _ Pos. 1 _ Pos. 2 _ Pos. 3 _ Pos. 4

Example: Position 1 is green, position 2 is red, position 3 is yellow, position 4 is amber. The part number is 5684F5_1_7_3.

Electro-Optical Characteristics and Ratings

| Part Number | Emitted Color | Rated Current (mA) | Typ. Intensity (mcd) | Continuous Forward Current Max. (mA) | Forward Voltage | | Reverse Breakdown Voltage Min.(V) | Peak Wavelength (nm) |
|--------------|---------------|--------------------|----------------------|--------------------------------------|-----------------|----------|-----------------------------------|----------------------|
| | | | | | Typ. (V) | Max. (V) | | |
| 5684F1_1_1_1 | Red | 10 | 10 | 25 | 2.2 | 3.0 | 5.0 | 635 |
| 5684F3_3_3_3 | Amber | 10 | 6.5 | 25 | 2.2 | 3.0 | 5.0 | 602 |
| 5684F5_5_5_5 | Green | 10 | 8.5 | 25 | 2.3 | 3.0 | 5.0 | 565 |
| 5684F7_7_7_7 | Yellow | 10 | 10 | 25 | 2.2 | 3.0 | 5.0 | 583 |