

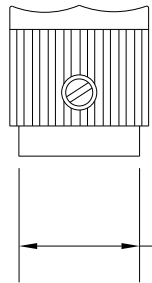
PART NAME: KNOB SCALE: 1:1 DATE: 1/23/85 DR. BY HD

THIS DRAWING IS THE PROPERTY OF DAVIES MOLDING COMPANY, IS SUBMITTED SOLELY AS A DESIGN OR ENGINEERING PROJECT. WE ACCEPT NO RESPONSIBILITY WHATSOEVER FOR THE PRACTICAL APPLICATION OF THE PIECES MADE TO THIS DESIGN.

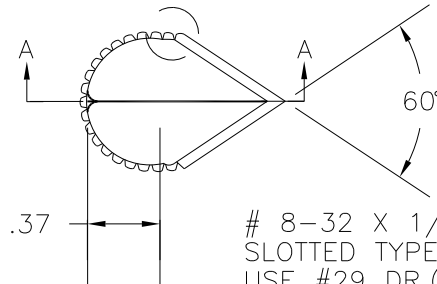


DESIGNERS & MANUFACTURERS OF KNOBS, HANDLES, CASES & CUSTOM PLASTIC COMPONENTS

P/N 8005
 BASE PART 8005-01
 SET SCREW I0357



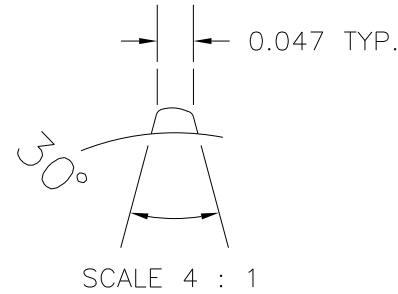
0.63 DIA.



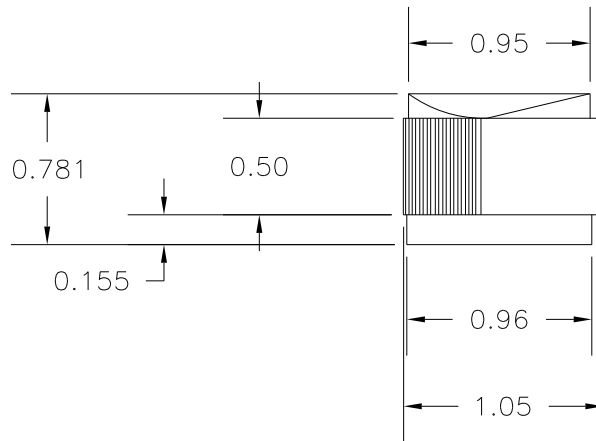
.37

60°

8-32 X 1/4 LG. CUP POINTED, HEADLESS, SLOTTED TYPE, SET SCREW I0357,(1) USE #29 DR.(.136 DIA),#8-32 TAP.



SCALE 4 : 1



0.781

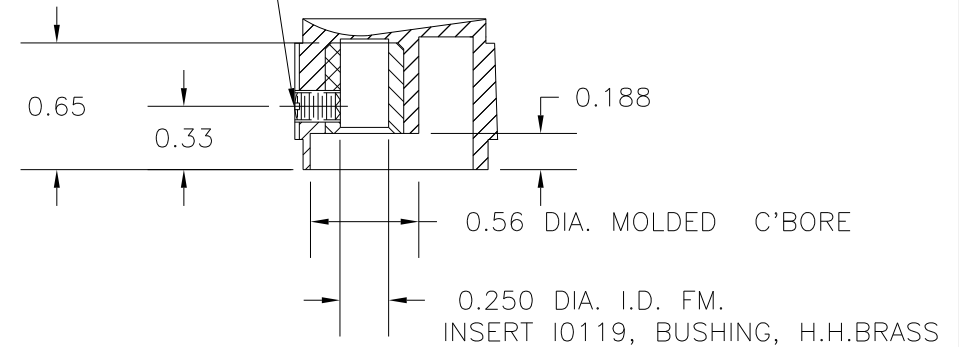
0.50

0.155

0.95

0.96

1.05



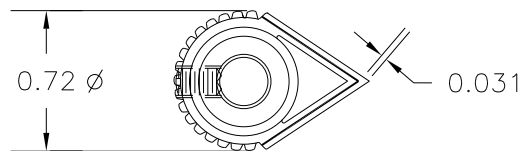
0.65

0.33

0.188

0.56 DIA. MOLDED C'BORE

0.250 DIA. I.D. FM. INSERT I0119, BUSHING, H.H.BRASS



0.72 ϕ

0.031

MATERIAL: ABS (BE1)
 COLOR: BLACK

| | | | | |
|---|--|---------|-----------------|--------------|
| TOLERANCES: UNLESS OTHERWISE SPECIFIED | DO NOT SCALE DRAWING | | | |
| DECIMALS: X.XXX \pm .005 X.XX \pm .015 | MM: X.XX \pm 0.15MM X.X \pm 0.4MM | - | UPDATED TOOLBOX | JAM 11/19/02 |
| FRACTIONS \pm 1/64 | ANG. \pm 1° | CHANGES | | |