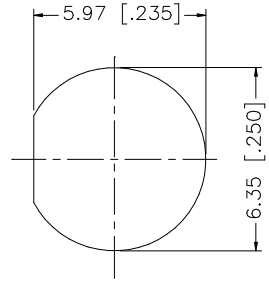
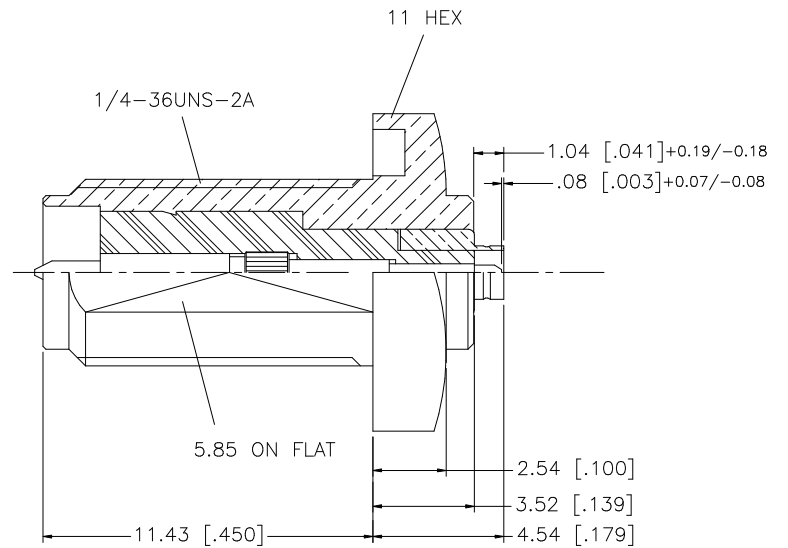
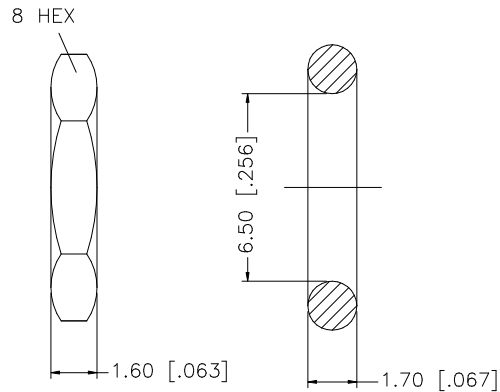
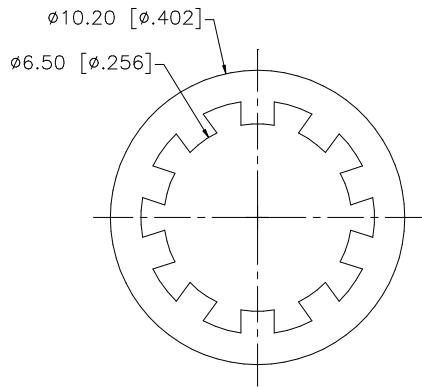


REV.	DATE	DESCRIPTION
NC	05/28/07	INITIAL RELEASE



RECOMMENDED MOUNTING HOLE



NOTE:
1. MAX. PANEL THICKNESS = 3.8mm

QTY	DESCRIPTION	MATERIAL	FINISH	QTY	APPROVALS	DATE	<h1 style="color: blue; margin: 0;">Amphenol Connex</h1>	
8					DRAWN	G.R.S. 05/28/07		PART DESCRIPTION SMA REVERSE POLARITY JACK BULKHEAD TO U.FL PLUG ADAPTER
7					CHECKED		PART NO. 242201RP	
6	HEX NUT	BRASS	GOLD	1	ISSUED			DWG. NO. 242201RP.DWG
5	LOCK WASHER	BRASS	GOLD	1	SHEET	1 OF 1	REV. NC	
4	GASKET	SILICONE	RED	1	CAD FILE C:/242/242201RP.DWG			SIZE A
3	CONTACT PIN	BRASS	GOLD	1			SCALE NA	
2	INSULATOR	TEFLON	NATURAL	1				
1	BODY	BRASS	GOLD	1				
				<small>UNLESS OTHERWISE SPECIFIED DIMENSIONS ARE IN MILLIMETERS. DIMENSIONS IN [] ARE IN INCHES AND FOR CUSTOMER REFERENCE ONLY.</small> <small>UNLESS OTHERWISE SPECIFIED TOLERANCES FOR MILLIMETERS ARE:</small> 0.5 - 8mm ± 0.20mm 8 - 30mm ± 0.40mm 30 - 120mm ± 0.50mm <small>UNLESS OTHERWISE SPECIFIED TOLERANCES FOR INCHES ARE:</small> .020 - .315 = ± 0.007" .315 - 1.180 = ± 0.015" 1.180 - 4.724 = ± 0.020" DO NOT SCALE DRAWING				